



# UM10336

P89LPC9201/9211/922A1/9241/9251 User manual

Rev. 2 — 3 November 2010

User manual

## Document information

Info	Content
<b>Keywords</b>	P89LPC9201/9211/922A1/9241/9251
<b>Abstract</b>	Technical information for the P89LPC9201/9211/922A1/9241/9251 device



**Revision history**

Rev	Date	Description
2	20101103	<ul style="list-style-type: none"><li>• <a href="#">Section 2.3</a>; updated oscillator information.</li><li>• <a href="#">Section 14.1</a>; updated oscillator information.</li><li>• <a href="#">Section 14.3</a>; updated oscillator information.</li><li>• <a href="#">Section 14.5</a>; updated oscillator information.</li><li>• <a href="#">Table 10</a>; updated oscillator information.</li></ul>
1	20090422	Initial version.

**Contact information**

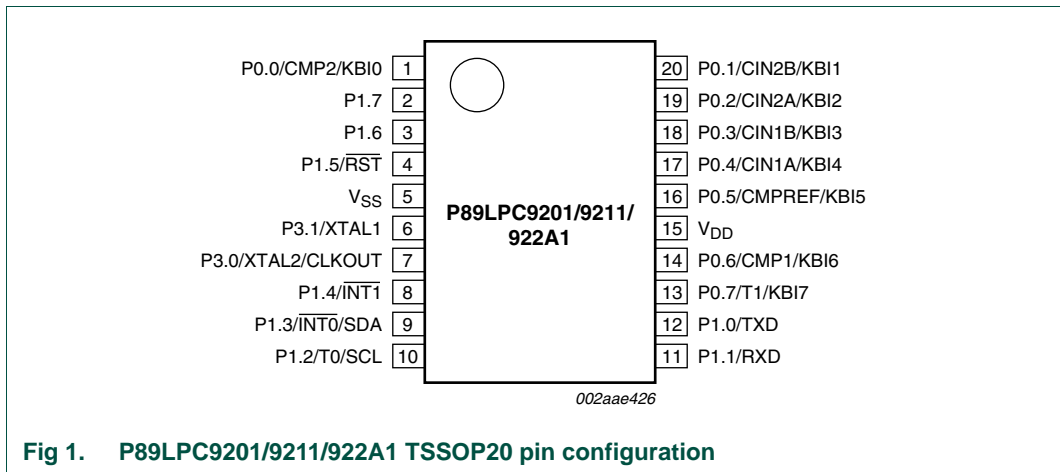
For more information, please visit: <http://www.nxp.com>

For sales office addresses, please send an email to: [salesaddresses@nxp.com](mailto:salesaddresses@nxp.com)

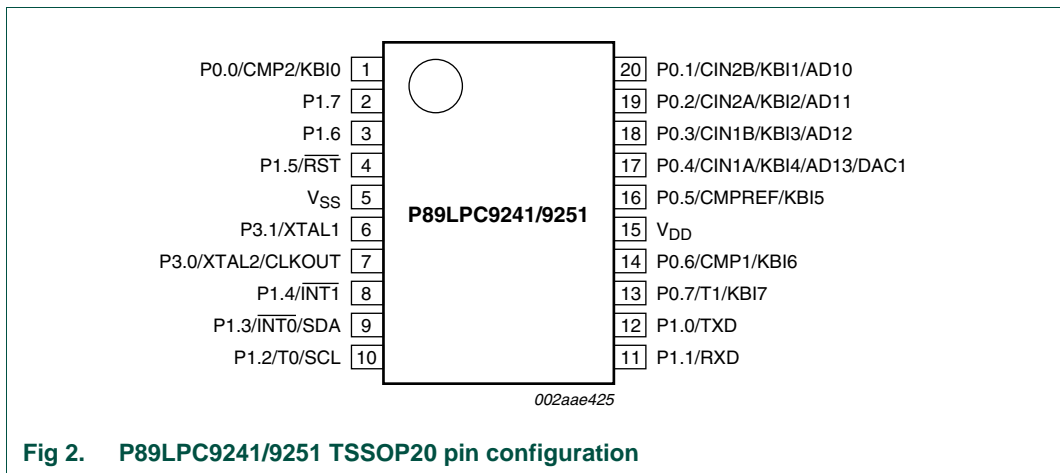
# 1. Introduction

The P89LPC9201/9211/922A1/9241/9251 are single-chip microcontroller, available in low cost packages, based on a high performance processor architecture that executes instructions in two to four clocks, six times the rate of standard 80C51 devices. Many system-level functions have been incorporated into the P89LPC9201/9211/922A1/9241/9251 in order to reduce component count, board space, and system cost.

## 1.1 Pin configuration



**Fig 1. P89LPC9201/9211/922A1 TSSOP20 pin configuration**



**Fig 2. P89LPC9241/9251 TSSOP20 pin configuration**

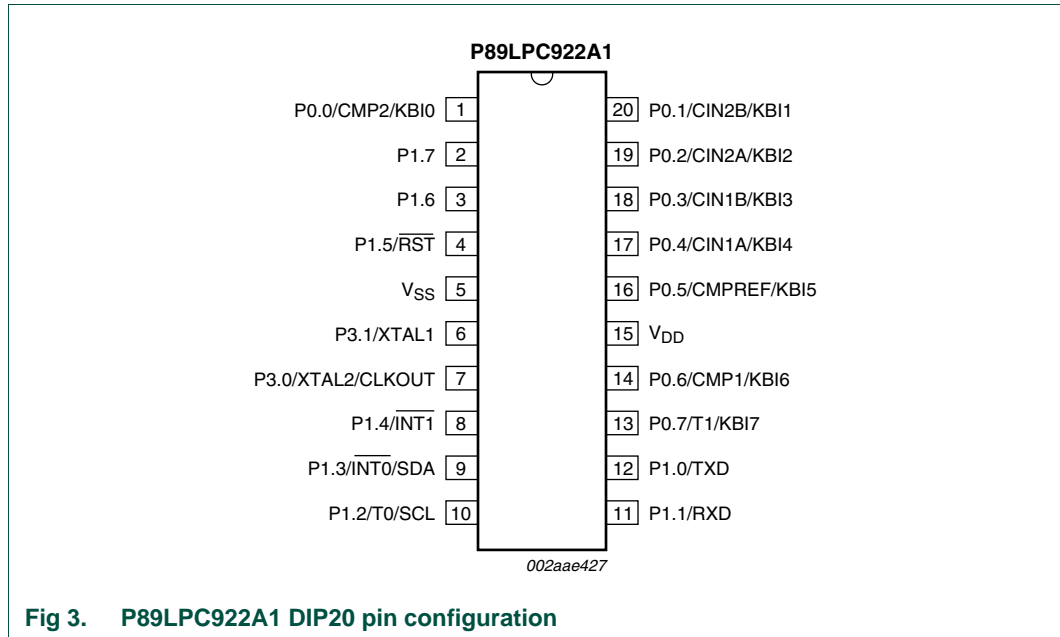


Fig 3. P89LPC922A1 DIP20 pin configuration

## 1.2 Pin description

Table 1. Pin description

Symbol	Pin	Type	Description
	TSSOP20, DIP20		
P0.0 to P0.7		I/O	<p><b>Port 0:</b> Port 0 is an 8-bit I/O port with a user-configurable output type. During reset Port 0 latches are configured in the input only mode with the internal pull-up disabled. The operation of Port 0 pins as inputs and outputs depends upon the port configuration selected. Each port pin is configured independently. Refer to <a href="#">Section 5.1 “Port configurations”</a> for details.</p> <p>The Keypad Interrupt feature operates with Port 0 pins.</p> <p>All pins have Schmitt trigger inputs.</p> <p>Port 0 also provides various special functions as described below:</p>
P0.0/CMP2/ KBI0	1	I/O	<b>P0.0</b> — Port 0 bit 0.
		O	<b>CMP2</b> — Comparator 2 output
		I	<b>KBI0</b> — Keyboard input 0.
P0.1/CIN2B/ KBI1/AD10	20	I/O	<b>P0.1</b> — Port 0 bit 1.
		I	<b>CIN2B</b> — Comparator 2 positive input B.
		I	<b>KBI1</b> — Keyboard input 1.
		I	<b>AD10</b> — ADC1 channel 0 analog input. (P89LPC9241/9251)
P0.2/CIN2A/ KBI2/AD11	19	I/O	<b>P0.2</b> — Port 0 bit 2.
		I	<b>CIN2A</b> — Comparator 2 positive input A.
		I	<b>KBI2</b> — Keyboard input 2.
		I	<b>AD11</b> — ADC1 channel 1 analog input. (P89LPC9241/9251)

Table 1. Pin description ...continued

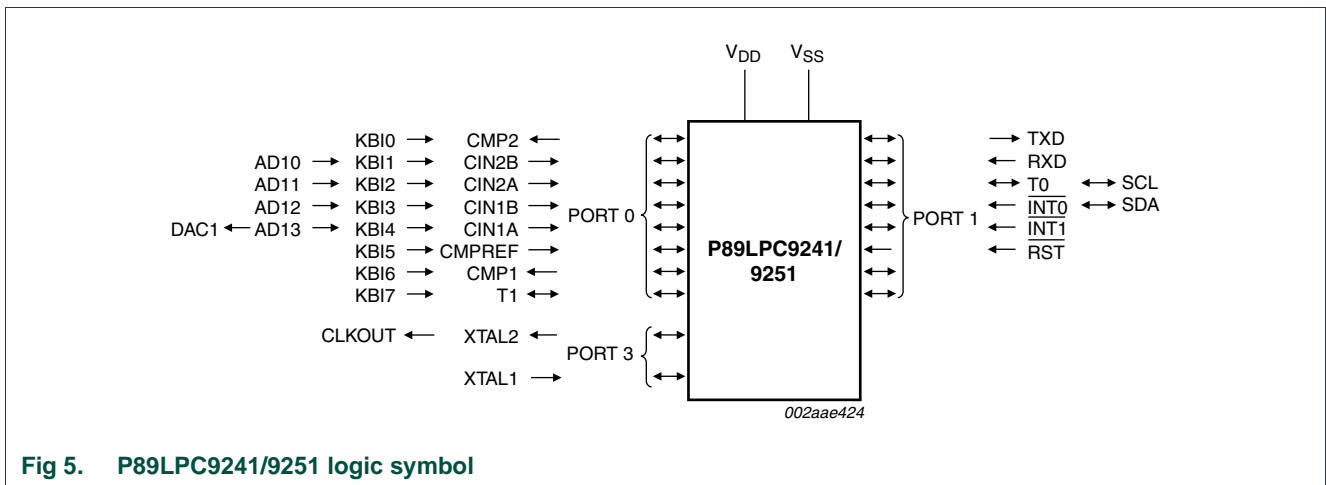
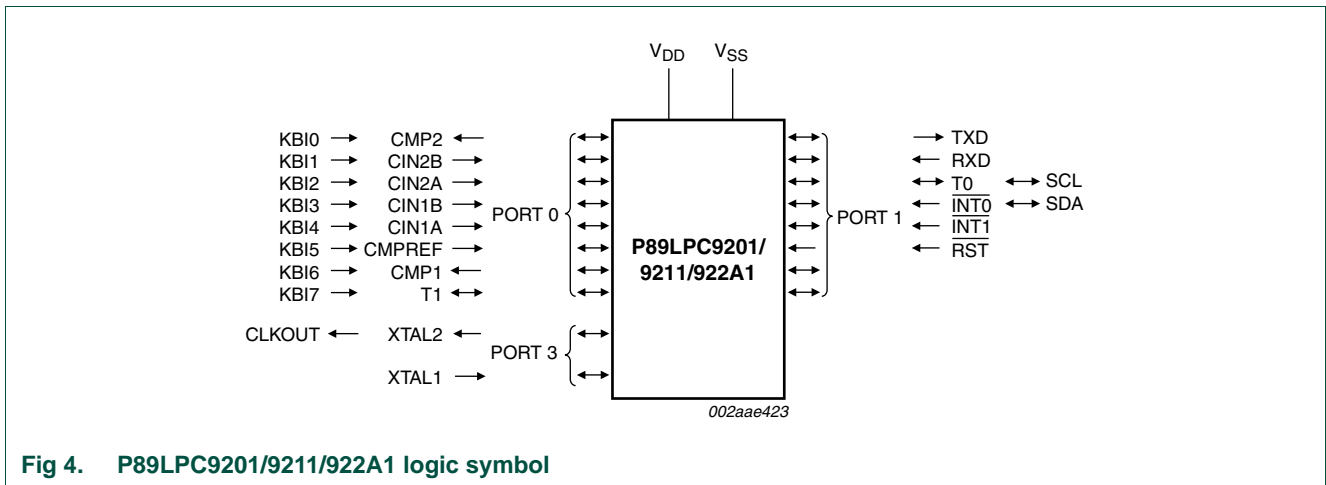
Symbol	Pin	Type	Description
	TSSOP20, DIP20		
P0.3/CIN1B/ KBI3/AD12	18	I/O	<b>P0.3</b> — Port 0 bit 3. High current source.
		I	<b>CIN1B</b> — Comparator 1 positive input B.
		I	<b>KBI3</b> — Keyboard input 3.
		I	<b>AD12</b> — ADC1 channel 2 analog input. (P89LPC9241/9251)
P0.4/CIN1A/ KBI4/DAC1/AD13	17	I/O	<b>P0.4</b> — Port 0 bit 4. High current source.
		I	<b>CIN1A</b> — Comparator 1 positive input A.
		I	<b>KBI4</b> — Keyboard input 4.
		O	<b>DAC1</b> — Digital-to-analog converter output 1. (P89LPC9241/9251)
P0.5/CMPREF/ KBI5	16	I/O	<b>P0.5</b> — Port 0 bit 5. High current source.
		I	<b>CMPREF</b> — Comparator reference (negative) input.
P0.6/CMP1/KBI6	14	I/O	<b>P0.6</b> — Port 0 bit 6. High current source.
		O	<b>CMP1</b> — Comparator 1 output.
		I	<b>KBI6</b> — Keyboard input 6.
P0.7/T1/KBI7	13	I/O	<b>P0.7</b> — Port 0 bit 7. High current source.
		I/O	<b>T1</b> — Timer/counter 1 external count input or overflow output.
		I	<b>KBI7</b> — Keyboard input 7.
P1.0 to P1.7		I/O, I <a href="#">1</a>	<p><b>Port 1:</b> Port 1 is an 8-bit I/O port with a user-configurable output type, except for three pins as noted below. During reset Port 1 latches are configured in the input only mode with the internal pull-up disabled. The operation of the configurable Port 1 pins as inputs and outputs depends upon the port configuration selected. Each of the configurable port pins are programmed independently. Refer to <a href="#">Section 5.1 “Port configurations”</a> for details. P1.2 to P1.3 are open drain when used as outputs. P1.5 is input only.</p> <p>All pins have Schmitt trigger inputs.</p> <p>Port 1 also provides various special functions as described below:</p>
P1.0/TXD	12	I/O	<b>P1.0</b> — Port 1 bit 0.
		O	<b>TXD</b> — Transmitter output for serial port.
P1.1/RXD	11	I/O	<b>P1.1</b> — Port 1 bit 1.
		I	<b>RXD</b> — Receiver input for serial port.
P1.2/T0/SCL	10	I/O	<b>P1.2</b> — Port 1 bit 2 (open-drain when used as output).
		I/O	<b>T0</b> — Timer/counter 0 external count input or overflow output (open-drain when used as output).
		I/O	<b>SCL</b> — I <sup>2</sup> C-bus serial clock input/output.
P1.3/ <u>INT0</u> /SDA	9	I/O	<b>P1.3</b> — Port 1 bit 3 (open-drain when used as output).
		I	<b>INT0</b> — External interrupt 0 input.
		I/O	<b>SDA</b> — I <sup>2</sup> C-bus serial data input/output.
P1.4/ <u>INT1</u>	8	I/O	<b>P1.4</b> — Port 1 bit 4. High current source.
		I	<b>INT1</b> — External interrupt 1 input.

Table 1. Pin description ...continued

Symbol	Pin	Type	Description
	TSSOP20, DIP20		
P1.5/ $\overline{\text{RST}}$	4	I	<b>P1.5</b> — Port 1 bit 5 (input only).
		I	<b>RST</b> — External Reset input during power-on or if selected via UCFG1. When functioning as a reset input, a LOW on this pin resets the microcontroller, causing I/O ports and peripherals to take on their default states, and the processor begins execution at address 0. Also used during a power-on sequence to force ISP mode.
P1.6	3	I/O	<b>P1.6</b> — Port 1 bit 6. High current source.
P1.7	2	I/O	<b>P1.7</b> — Port 1 bit 7. High current source.
P3.0 to P3.1		I/O	<p><b>Port 3:</b> Port 3 is a 2-bit I/O port with a user-configurable output type. During reset Port 3 latches are configured in the input only mode with the internal pull-up disabled. The operation of Port 3 pins as inputs and outputs depends upon the port configuration selected. Each port pin is configured independently. Refer to <a href="#">Section 5.1 “Port configurations”</a> for details.</p> <p>All pins have Schmitt trigger inputs.</p> <p>Port 3 also provides various special functions as described below:</p>
P3.0/XTAL2/ CLKOUT	7	I/O	<b>P3.0</b> — Port 3 bit 0.
		O	<b>XTAL2</b> — Output from the oscillator amplifier (when a crystal oscillator option is selected via the flash configuration).
		O	<b>CLKOUT</b> — CPU clock divided by 2 when enabled via SFR bit (ENCLK -TRIM.6). It can be used if the CPU clock is the internal RC oscillator, watchdog oscillator or external clock input, except when XTAL1/XTAL2 are used to generate clock source for the RTC/system timer.
P3.1/XTAL1	6	I/O	<b>P3.1</b> — Port 3 bit 1.
		I	<b>XTAL1</b> — Input to the oscillator circuit and internal clock generator circuits (when selected via the flash configuration). It can be a port pin if internal RC oscillator or watchdog oscillator is used as the CPU clock source, <b>and</b> if XTAL1/XTAL2 are not used to generate the clock for the RTC/system timer.
V <sub>SS</sub>	5	I	<b>Ground:</b> 0 V reference.
V <sub>DD</sub>	15	I	<b>Power supply:</b> This is the power supply voltage for normal operation as well as Idle and Power-down modes.

[1] Input/output for P1.0 to P1.4, P1.6, P1.7. Input for P1.5.

1.3 Logic symbols



1.4 Block diagram

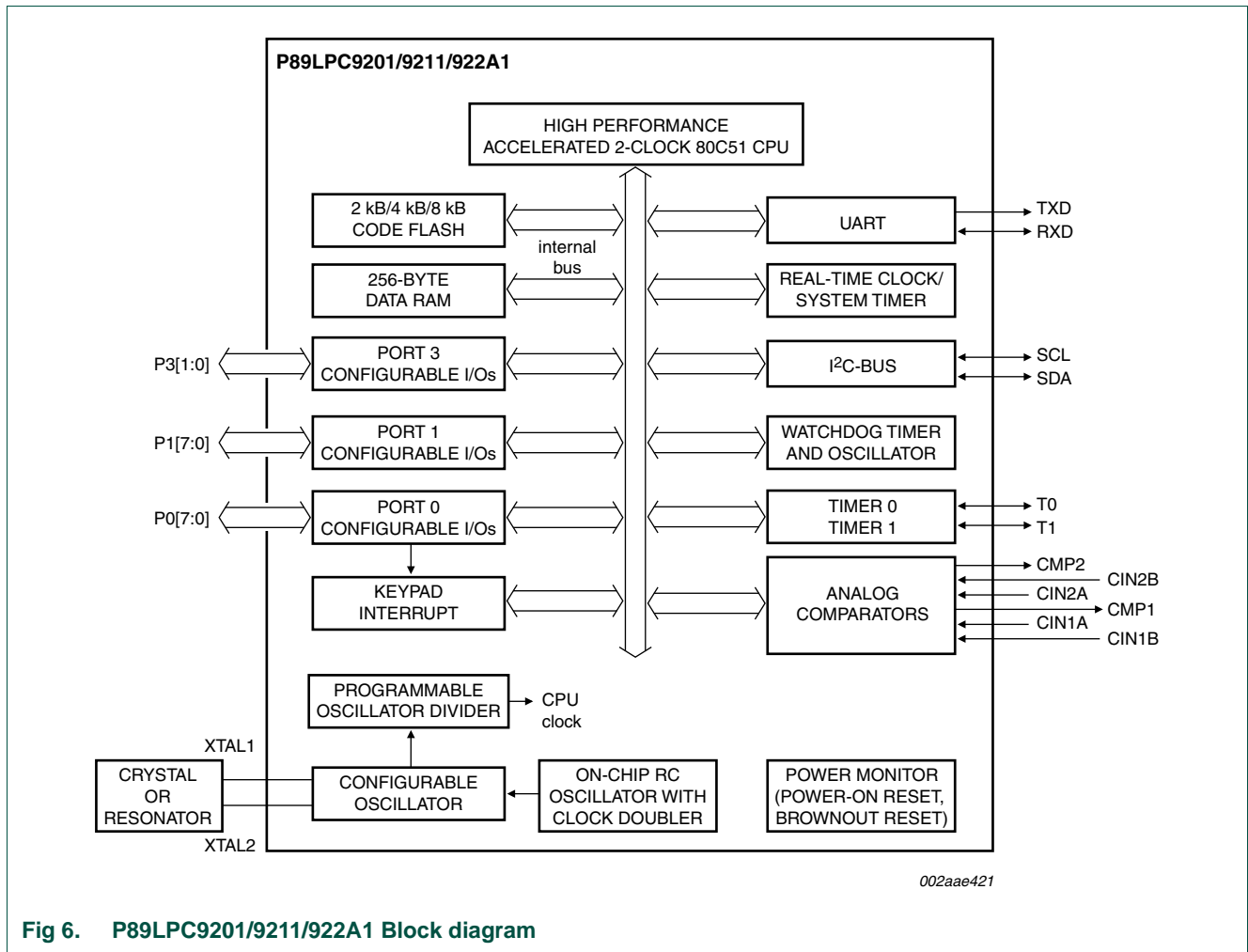


Fig 6. P89LPC9201/9211/922A1 Block diagram



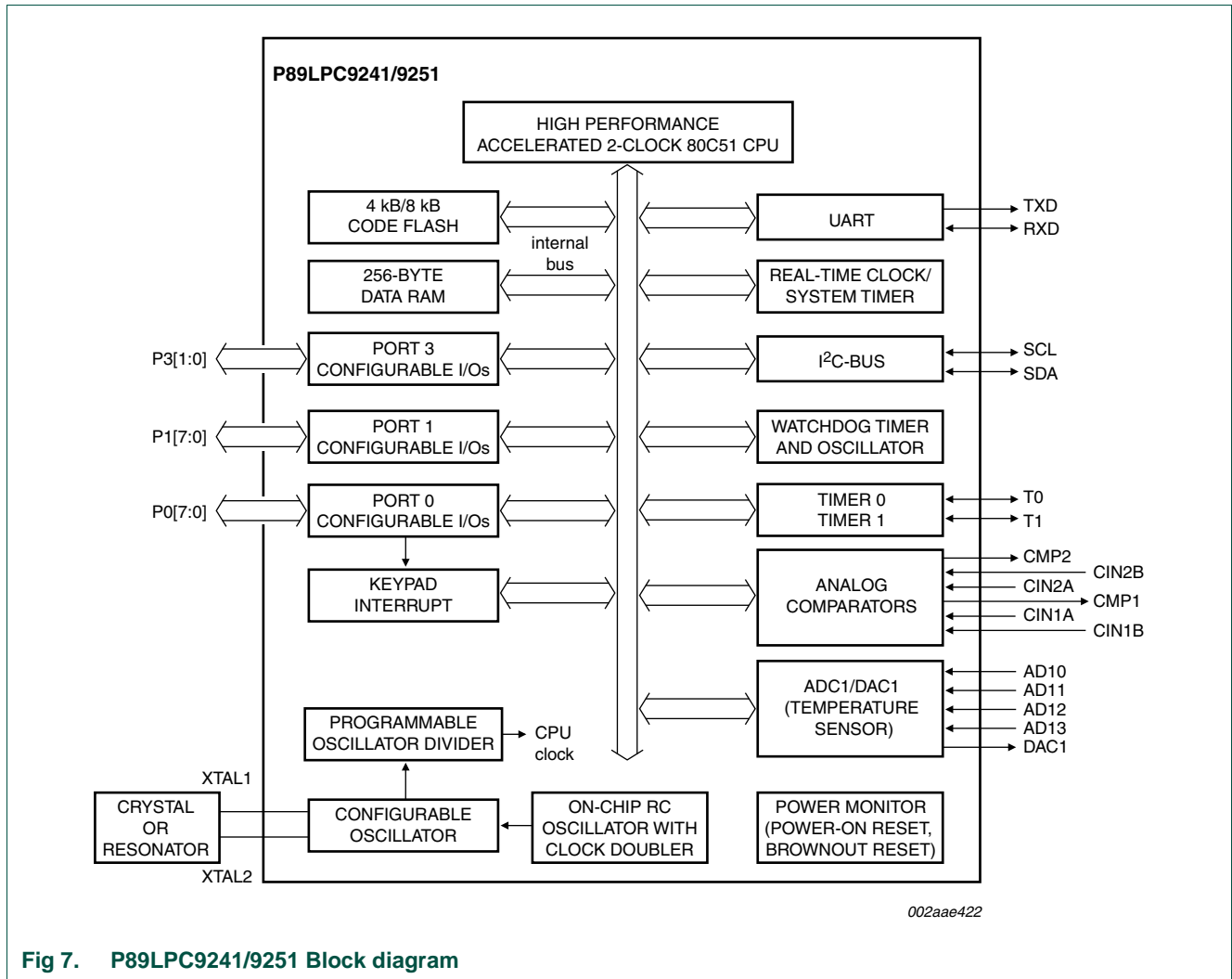


Fig 7. P89LPC9241/9251 Block diagram

## 1.5 Special function registers

**Remark:** SFR accesses are restricted in the following ways:

- User must **not** attempt to access any SFR locations not defined.
- Accesses to any defined SFR locations must be strictly for the functions for the SFRs.
- SFR bits labeled '-', '0' or '1' can **only** be written and read as follows:
  - '-' Unless otherwise specified, **must** be written with '0', but can return any value when read (even if it was written with '0'). It is a reserved bit and may be used in future derivatives.
  - '0' **must** be written with '0', and will return a '0' when read.
  - '1' **must** be written with '1', and will return a '1' when read.

**Table 2. Special function registers - P89LPC9201/9211/922A1**

\* indicates SFRs that are bit addressable.

Name	Description	SFR addr.	Bit functions and addresses								Reset value	
			MSB							LSB	Hex	Binary
Bit address			E7	E6	E5	E4	E3	E2	E1	E0		
ACC*	Accumulator	E0H									00	0000 0000
AUXR1	Auxiliary function register	A2H	CLKLP	EBRR	ENT1	ENT0	SRST	0	-	DPS	00	0000 00x0
Bit address			F7	F6	F5	F4	F3	F2	F1	F0		
B*	B register	F0H									00	0000 0000
BRGR0 <sup>[2]</sup>	Baud rate generator 0 rate low	BEH									00	0000 0000
BRGR1 <sup>[2]</sup>	Baud rate generator 0 rate high	BFH									00	0000 0000
BRGCON	Baud rate generator 0 control	BDH	-	-	-	-	-	-	SBRGS	BRGEN	00 <sup>[2]</sup>	xxxx xx00
CMP1	Comparator 1 control register	ACH	-	-	CE1	CP1	CN1	OE1	CO1	CMF1	00 <sup>[1]</sup>	xx00 0000
CMP2	Comparator 2 control register	ADH	-	-	CE2	CP2	CN2	OE2	CO2	CMF2	00 <sup>[1]</sup>	xx00 0000
DIVM	CPU clock divide-by-M control	95H									00	0000 0000
DPTR	Data pointer (2 bytes)											
DPH	Data pointer high	83H									00	0000 0000
DPL	Data pointer low	82H									00	0000 0000
FMADRH	Program flash address high	E7H									00	0000 0000
FMADRL	Program flash address low	E6H									00	0000 0000

**Table 2. Special function registers - P89LPC9201/9211/922A1**

\* indicates SFRs that are bit addressable.

Name	Description	SFR addr.	Bit functions and addresses									Reset value	
			MSB						LSB			Hex	Binary
FMCON	Program flash control (Read)	E4H	BUSY	-	-	-	HVA	HVE	SV	OI	70	0111 0000	
	Program flash control (Write)	E4H	FMCMD.7	FMCMD.6	FMCMD.5	FMCMD.4	FMCMD.3	FMCMD.2	FMCMD.1	FMCMD.0			
FMDATA	Program flash data	E5H									00	0000 0000	
I2ADR	I <sup>2</sup> C-bus slave address register	DBH	I2ADR.6	I2ADR.5	I2ADR.4	I2ADR.3	I2ADR.2	I2ADR.1	I2ADR.0	GC	00	0000 0000	
	<b>Bit address</b>		<b>DF</b>	<b>DE</b>	<b>DD</b>	<b>DC</b>	<b>DB</b>	<b>DA</b>	<b>D9</b>	<b>D8</b>			
I2CON*	I <sup>2</sup> C-bus control register	D8H	-	I2EN	STA	STO	SI	AA	-	CRSEL	00	x000 00x0	
I2DAT	I <sup>2</sup> C-bus data register	DAH											
I2SCLH	Serial clock generator/SCL duty cycle register high	DDH									00	0000 0000	
I2SCLL	Serial clock generator/SCL duty cycle register low	DCH									00	0000 0000	
I2STAT	I <sup>2</sup> C-bus status register	D9H	STA.4	STA.3	STA.2	STA.1	STA.0	0	0	0	F8	1111 1000	
	<b>Bit address</b>		<b>AF</b>	<b>AE</b>	<b>AD</b>	<b>AC</b>	<b>AB</b>	<b>AA</b>	<b>A9</b>	<b>A8</b>			
IEN0*	Interrupt enable 0	A8H	EA	EWDRT	EBO	ES/ESR	ET1	EX1	ET0	EX0	00	0000 0000	
	<b>Bit address</b>		<b>EF</b>	<b>EE</b>	<b>ED</b>	<b>EC</b>	<b>EB</b>	<b>EA</b>	<b>E9</b>	<b>E8</b>			
IEN1*	Interrupt enable 1	E8H	-	EST	-	-	-	EC	EKBI	EI2C	00 <u>u</u>	00x0 0000	
	<b>Bit address</b>		<b>BF</b>	<b>BE</b>	<b>BD</b>	<b>BC</b>	<b>BB</b>	<b>BA</b>	<b>B9</b>	<b>B8</b>			
IPO*	Interrupt priority 0	B8H	-	PWDRT	PBO	PS/PSR	PT1	PX1	PT0	PX0	00 <u>u</u>	x000 0000	

**Table 2. Special function registers - P89LPC9201/9211/922A1**  
 \* indicates SFRs that are bit addressable.

Name	Description	SFR addr.	Bit functions and addresses								Reset value	
			MSB								LSB	
IP0H	Interrupt priority 0 high	B7H	-	PWDRTH	PBOH	PSH/ PSRH	PT1H	PX1H	PT0H	PX0H	00 <u>1</u>	x000 0000
	<b>Bit address</b>		<b>FF</b>	<b>FE</b>	<b>FD</b>	<b>FC</b>	<b>FB</b>	<b>FA</b>	<b>F9</b>	<b>F8</b>		
IP1*	Interrupt priority 1	F8H	-	PST	-	-	-	PC	PKBI	PI2C	00 <u>1</u>	00x0 0000
IP1H	Interrupt priority 1 high	F7H	-	PSTH	-	-	-	PCH	PKBIH	PI2CH	00 <u>1</u>	00x0 0000
KBCON	Keypad control register	94H	-	-	-	-	-	-	PATN _SEL	KBIF	00 <u>1</u>	xxxx xx00
KBMASK	Keypad interrupt mask register	86H									00	0000 0000
KBPATN	Keypad pattern register	93H									FF	1111 1111
	<b>Bit address</b>		<b>87</b>	<b>86</b>	<b>85</b>	<b>84</b>	<b>83</b>	<b>82</b>	<b>81</b>	<b>80</b>		
P0*	Port 0	80H	T1/KB7	CMP1 /KB6	CMPREF /KB5	CIN1A /KB4	CIN1B /KB3	CIN2A /KB2	CIN2B /KB1	CMP2 /KB0	<u>1</u>	
	<b>Bit address</b>		<b>97</b>	<b>96</b>	<b>95</b>	<b>94</b>	<b>93</b>	<b>92</b>	<b>91</b>	<b>90</b>		
P1*	Port 1	90H	-	-	RST	INT1	INT0/SDA	T0/SCL	RXD	TXD	<u>1</u>	
	<b>Bit address</b>		<b>B7</b>	<b>B6</b>	<b>B5</b>	<b>B4</b>	<b>B3</b>	<b>B2</b>	<b>B1</b>	<b>B0</b>		
P3*	Port 3	B0H	-	-	-	-	-	-	XTAL1	XTAL2	<u>1</u>	
P0M1	Port 0 output mode 1	84H	(P0M1.7)	(P0M1.6)	(P0M1.5)	(P0M1.4)	(P0M1.3)	(P0M1.2)	(P0M1.1)	(P0M1.0)	FF <u>1</u>	1111 1111
P0M2	Port 0 output mode 2	85H	(P0M2.7)	(P0M2.6)	(P0M2.5)	(P0M2.4)	(P0M2.3)	(P0M2.2)	(P0M2.1)	(P0M2.0)	00 <u>1</u>	0000 0000
P1M1	Port 1 output mode 1	91H	(P1M1.7)	(P1M1.6)	-	(P1M1.4)	(P1M1.3)	(P1M1.2)	(P1M1.1)	(P1M1.0)	D3 <u>1</u>	11x1 xx11
P1M2	Port 1 output mode 2	92H	(P1M2.7)	(P1M2.6)	-	(P1M2.4)	(P1M2.3)	(P1M2.2)	(P1M2.1)	(P1M2.0)	00 <u>1</u>	00x0 xx00
P3M1	Port 3 output mode 1	B1H	-	-	-	-	-	-	(P3M1.1)	(P3M1.0)	03 <u>1</u>	xxxx xx11
P3M2	Port 3 output mode 2	B2H	-	-	-	-	-	-	(P3M2.1)	(P3M2.0)	00 <u>1</u>	xxxx xx00

**Table 2. Special function registers - P89LPC9201/9211/922A1**  
*\* indicates SFRs that are bit addressable.*

Name	Description	SFR addr.	Bit functions and addresses								Reset value	
			MSB				LSB				Hex	Binary
PCON	Power control register	87H	SMOD1	SMOD0	-	BOI	GF1	GF0	PMOD1	PMOD0	00	0000 0000
PCONA	Power control register A	B5H	RTCPD	-	VCPD	-	I2PD	-	SPD	-	00 <sup>[1]</sup>	0000 0000
	<b>Bit address</b>		<b>D7</b>	<b>D6</b>	<b>D5</b>	<b>D4</b>	<b>D3</b>	<b>D2</b>	<b>D1</b>	<b>D0</b>		
PSW*	Program status word	D0H	CY	AC	F0	RS1	RS0	OV	F1	P	00	0000 0000
PT0AD	Port 0 digital input disable	F6H	-	-	PT0AD.5	PT0AD.4	PT0AD.3	PT0AD.2	PT0AD.1	-	00	xx00 000x
RSTSRC	Reset source register	DFH	-	BOIF	BOF	POF	R_BK	R_WD	R_SF	R_EX	<sup>[3]</sup>	
RTCCON	RTC control	D1H	RTCF	RTCS1	RTCS0	-	-	-	ERTC	RTCEN	60 <sup>[1][6]</sup>	011x xx00
RTCH	RTC register high	D2H									00 <sup>[6]</sup>	0000 0000
RTCL	RTC register low	D3H									00 <sup>[6]</sup>	0000 0000
SADDR	Serial port address register	A9H									00	0000 0000
SADEN	Serial port address enable	B9H									00	0000 0000
SBUF	Serial Port data buffer register	99H									xx	xxxx xxxx
	<b>Bit address</b>		<b>9F</b>	<b>9E</b>	<b>9D</b>	<b>9C</b>	<b>9B</b>	<b>9A</b>	<b>99</b>	<b>98</b>		
SCON*	Serial port control	98H	SM0/FE	SM1	SM2	REN	TB8	RB8	TI	RI	00	0000 0000
SSTAT	Serial port extended status register	BAH	DBMOD	INTLO	CIDIS	DBISEL	FE	BR	OE	STINT	00	0000 0000
SP	Stack pointer	81H									07	0000 0111
TAMOD	Timer 0 and 1 auxiliary mode	8FH	-	-	-	T1M2	-	-	-	T0M2	00	xxx0 xxx0

**Table 2. Special function registers - P89LPC9201/9211/922A1**

\* indicates SFRs that are bit addressable.

Name	Description	SFR addr.	Bit functions and addresses								Reset value	
			MSB				LSB				Hex	Binary
Bit address			8F	8E	8D	8C	8B	8A	89	88		
TCON*	Timer 0 and 1 control	88H	TF1	TR1	TF0	TR0	IE1	IT1	IE0	IT0	00	0000 0000
TH0	Timer 0 high	8CH									00	0000 0000
TH1	Timer 1 high	8DH									00	0000 0000
TL0	Timer 0 low	8AH									00	0000 0000
TL1	Timer 1 low	8BH									00	0000 0000
TMOD	Timer 0 and 1 mode	89H	T1GATE	T1C/T	T1M1	T1M0	T0GATE	T0C/T	T0M1	T0M0	00	0000 0000
TRIM	Internal oscillator trim register	96H	RCCLK	ENCLK	TRIM.5	TRIM.4	TRIM.3	TRIM.2	TRIM.1	TRIM.0	<a href="#">[5]</a> <a href="#">[6]</a>	
WDCON	Watchdog control register	A7H	PRE2	PRE1	PRE0	-	-	WDRUN	WDTOF	WDCLK	<a href="#">[4]</a> <a href="#">[6]</a>	
WDL	Watchdog load	C1H									FF	1111 1111
WFEED1	Watchdog feed 1	C2H										
WFEED2	Watchdog feed 2	C3H										

- [1] All ports are in input only (high-impedance) state after power-up.
- [2] BRGR1 and BRGR0 must only be written if BRGEN in BRGCON SFR is logic 0. If any are written while BRGEN = 1, the result is unpredictable.
- [3] The RSTSRC register reflects the cause of the P89LPC9201/9211/922A1 reset except BOIF bit. Upon a power-up reset, all reset source flags are cleared except POF and BOF; the power-on reset value is x011 0000.
- [4] After reset, the value is 1110 01x1, i.e., PRE2 to PRE0 are all logic 1, WDRUN = 1 and WDCLK = 1. WDTOF bit is logic 1 after watchdog reset and is logic 0 after power-on reset. Other resets will not affect WDTOF.
- [5] On power-on reset and watchdog reset, the TRIM SFR is initialized with a factory preprogrammed value. Other resets will not cause initialization of the TRIM register.
- [6] The only reset sources that affect these SFRs are power-on reset and watchdog reset.

**Table 3. Extended special function registers - P89LPC9201/9211/922A1**[\[1\]](#)

Name	Description	SFR addr.	Bit functions and addresses								Reset value		
			MSB								LSB		Hex
BODCFG	BOD configuration register	FFC8H	-	-	-	-	-	-	-	BOICFG1	BOICFG0	<a href="#">[2]</a>	
CLKCON	CLOCK Control register	FFDEH	CLKOK	-	-	XTALWD	CLKDBL	FOSC2	FOSC1	FOSC0	<a href="#">[3]</a>		
RTCDATH	Real-time clock data register high	FFBFH										00	0000 0000
RTCDATL	Real-time clock data register low	FFBEH										00	0000 0000

- [1] Extended SFRs are physically located on-chip but logically located in external data memory address space (XDATA). The MOVX A,@DPTR and MOVX @DPTR,A instructions are used to access these extended SFRs.
- [2] The BOICFG1/0 will be copied from UCFG1.5 and UCFG1.3 when power-on reset.
- [3] CLKCON register reset value comes from UCFG1 and UCFG2. The reset value of CLKCON.2 to CLKCON.0 come from UCFG1.2 to UCFG1.0 and reset value of CLKDBL bit comes from UCFG2.7.



**Table 4. Special function registers - P89LPC9241/9251**

\* indicates SFRs that are bit addressable.

Name	Description	SFR addr.	Bit functions and addresses								Reset value	
			MSB				LSB				Hex	Binary
	Bit address		E7	E6	E5	E4	E3	E2	E1	E0		
ACC*	Accumulator	E0H									00	0000 0000
ADCON0	A/D control register 0	8Eh	ENBI0	ENADC10	TMM0	EDGE0	ADC10	ENADC0	ADCS01	ADCS00	00	0000 0000
ADCON1	A/D control register 1	97H	ENBI1	ENADC11	TMM1	EDGE1	ADC11	ENADC1	ADCS11	ADCS10	00	0000 0000
ADINS	A/D input select	A3H	AIN13	AIN12	AIN11	AIN10	AIN03	AIN02	AIN01	AIN00	00	0000 0000
ADMODA	A/D mode register A	C0H	BNDI1	BURST1	SCC1	SCAN1	BNDI0	BURST0	SCC0	SCAN0	00	0000 0000
ADMODB	A/D mode register B	A1H	CLK2	CLK1	CLK0	INBND0	ENDAC1	ENDAC0	BSA1	BSA0	00	000x 0000
AD0BH	A/D_0 boundary high register	BBH									FF	1111 1111
AD0BL	A/D_0 boundary low register	A6H									00	0000 0000
AD0DAT0	A/D_0 data register 0	C5H									00	0000 0000
AD0DAT1	A/D_0 data register 1	C6H									00	0000 0000
AD0DAT2	A/D_0 data register 2	C7H									00	0000 0000
AD0DAT3	A/D_0 data register 3	F4H									00	0000 0000
AD1BH	A/D_0 boundary high register	C4H									FF	1111 1111
AD1BL	A/D_0 boundary low register	BCH									00	0000 0000
AD1DAT0	A/D_0 data register 0	D5H									00	0000 0000

**Table 4. Special function registers - P89LPC9241/9251 ...continued**

\* indicates SFRs that are bit addressable.

Name	Description	SFR addr.	Bit functions and addresses								Reset value				
											MSB	LSB	Hex	Binary	
AD1DAT1	A/D_0 data register 1	D6H											00	0000 0000	
AD1DAT2	A/D_0 data register 2	D7H											00	0000 0000	
AD1DAT3	A/D_0 data register 3	F5H											00	0000 0000	
AUXR1	Auxiliary function register	A2H	CLKLP	EBRR	ENT1	ENT0	SRST	0	-	DPS			00	0000 00x0	
		<b>Bit address</b>	<b>F7</b>	<b>F6</b>	<b>F5</b>	<b>F4</b>	<b>F3</b>	<b>F2</b>	<b>F1</b>	<b>F0</b>					
B*	B register	F0H											00	0000 0000	
BRGR0 <sup>[2]</sup>	Baud rate generator 0 rate low	BEH											00	0000 0000	
BRGR1 <sup>[2]</sup>	Baud rate generator 0 rate high	BFH											00	0000 0000	
BRGCON	Baud rate generator 0 control	BDH	-	-	-	-	-	-	SBRGS	BRGEN			00 <sup>[2]</sup>	xxxx xx00	
CMP1	Comparator 1 control register	ACH	-	-	CE1	CP1	CN1	OE1	CO1	CMF1			00 <sup>[1]</sup>	xx00 0000	
CMP2	Comparator 2 control register	ADH	-	-	CE2	CP2	CN2	OE2	CO2	CMF2			00 <sup>[1]</sup>	xx00 0000	
DIVM	CPU clock divide-by-M control	95H											00	0000 0000	
DPTR	Data pointer (2 bytes)														
DPH	Data pointer high	83H											00	0000 0000	
DPL	Data pointer low	82H											00	0000 0000	

**Table 4. Special function registers - P89LPC9241/9251 ...continued**

\* indicates SFRs that are bit addressable.

Name	Description	SFR addr.	Bit functions and addresses								Reset value		
			MSB								LSB	Hex	Binary
FMADRH	Program flash address high	E7H										00	0000 0000
FMADRL	Program flash address low	E6H										00	0000 0000
FMCON	Program flash control (Read)	E4H	BUSY	-	-	-	HVA	HVE	SV	OI		70	0111 0000
	Program flash control (Write)	E4H	FMCMD.7	FMCMD.6	FMCMD.5	FMCMD.4	FMCMD.3	FMCMD.2	FMCMD.1	FMCMD.0			
FMDATA	Program flash data	E5H										00	0000 0000
I2ADR	I <sup>2</sup> C-bus slave address register	DBH	I2ADR.6	I2ADR.5	I2ADR.4	I2ADR.3	I2ADR.2	I2ADR.1	I2ADR.0	GC		00	0000 0000
			<b>Bit address</b>	<b>DF</b>	<b>DE</b>	<b>DD</b>	<b>DC</b>	<b>DB</b>	<b>DA</b>	<b>D9</b>	<b>D8</b>		
I2CON*	I <sup>2</sup> C-bus control register	D8H	-	I2EN	STA	STO	SI	AA	-	CRSEL		00	x000 00x0
I2DAT	I <sup>2</sup> C-bus data register	DAH											
I2SCLH	Serial clock generator/SCL duty cycle register high	DDH										00	0000 0000
I2SCLL	Serial clock generator/SCL duty cycle register low	DCH										00	0000 0000
I2STAT	I <sup>2</sup> C-bus status register	D9H	STA.4	STA.3	STA.2	STA.1	STA.0	0	0	0		F8	1111 1000
			<b>Bit address</b>	<b>AF</b>	<b>AE</b>	<b>AD</b>	<b>AC</b>	<b>AB</b>	<b>AA</b>	<b>A9</b>	<b>A8</b>		
IEN0*	Interrupt enable 0	A8H	EA	EWDRT	EBO	ES/ESR	ET1	EX1	ET0	EX0		00	0000 0000
			<b>Bit address</b>	<b>EF</b>	<b>EE</b>	<b>ED</b>	<b>EC</b>	<b>EB</b>	<b>EA</b>	<b>E9</b>	<b>E8</b>		
IEN1*	Interrupt enable 1	E8H	EAD	EST	-	-	-	EC	EKBI	EI2C		00 <u>1</u>	00x0 0000

**Table 4. Special function registers - P89LPC9241/9251 ...continued**  
 \* indicates SFRs that are bit addressable.

Name	Description	SFR addr.	Bit functions and addresses								Reset value	
			MSB						LSB		Hex	Binary
Bit address			BF	BE	BD	BC	BB	BA	B9	B8		
IP0*	Interrupt priority 0	B8H	-	PWDRT	PBO	PS/PSR	PT1	PX1	PT0	PX0	00 <u>[1]</u>	x000 0000
IP0H	Interrupt priority 0 high	B7H	-	PWDRTH	PBOH	PSH/PSRH	PT1H	PX1H	PT0H	PX0H	00 <u>[1]</u>	x000 0000
Bit address			FF	FE	FD	FC	FB	FA	F9	F8		
IP1*	Interrupt priority 1	F8H	PAD	PST	-	-	-	PC	PKBI	PI2C	00 <u>[1]</u>	00x0 0000
IP1H	Interrupt priority 1 high	F7H	PADH	PSTH	-	-	-	PCH	PKBIH	PI2CH	00 <u>[1]</u>	00x0 0000
KBCON	Keypad control register	94H	-	-	-	-	-	-	PATN_SEL	KBIF	00 <u>[1]</u>	xxxx xx00
KBMASK	Keypad interrupt mask register	86H									00	0000 0000
KBPATN	Keypad pattern register	93H									FF	1111 1111
Bit address			87	86	85	84	83	82	81	80		
P0*	Port 0	80H	T1/KB7	CMP1 /KB6	CMPREF /KB5	CIN1A /KB4	CIN1B /KB3	CIN2A /KB2	CIN2B /KB1	CMP2 /KB0	<u>[1]</u>	
Bit address			97	96	95	94	93	92	91	90		
P1*	Port 1	90H	-	-	RST	INT1	INT0/SDA	T0/SCL	RXD	TXD	<u>[1]</u>	
Bit address			B7	B6	B5	B4	B3	B2	B1	B0		
P3*	Port 3	B0H	-	-	-	-	-	-	XTAL1	XTAL2	<u>[1]</u>	
P0M1	Port 0 output mode 1	84H	(P0M1.7)	(P0M1.6)	(P0M1.5)	(P0M1.4)	(P0M1.3)	(P0M1.2)	(P0M1.1)	(P0M1.0)	FF <u>[1]</u>	1111 1111
P0M2	Port 0 output mode 2	85H	(P0M2.7)	(P0M2.6)	(P0M2.5)	(P0M2.4)	(P0M2.3)	(P0M2.2)	(P0M2.1)	(P0M2.0)	00 <u>[1]</u>	0000 0000
P1M1	Port 1 output mode 1	91H	(P1M1.7)	(P1M1.6)	-	(P1M1.4)	(P1M1.3)	(P1M1.2)	(P1M1.1)	(P1M1.0)	D3 <u>[1]</u>	11x1 xx11
P1M2	Port 1 output mode 2	92H	(P1M2.7)	(P1M2.6)	-	(P1M2.4)	(P1M2.3)	(P1M2.2)	(P1M2.1)	(P1M2.0)	00 <u>[1]</u>	00x0 xx00

**Table 4. Special function registers - P89LPC9241/9251 ...continued**

\* indicates SFRs that are bit addressable.

Name	Description	SFR addr.	Bit functions and addresses								Reset value	
			MSB				LSB				Hex	Binary
P3M1	Port 3 output mode 1	B1H	-	-	-	-	-	-	(P3M1.1)	(P3M1.0)	03 <sup>[1]</sup>	xxxx xx11
P3M2	Port 3 output mode 2	B2H	-	-	-	-	-	-	(P3M2.1)	(P3M2.0)	00 <sup>[1]</sup>	xxxx xx00
PCON	Power control register	87H	SMOD1	SMOD0	-	BOI	GF1	GF0	PMOD1	PMOD0	00	0000 0000
PCONA	Power control register A	B5H	RTCPD	-	VCPD	ADPD	I2PD	-	SPD	-	00 <sup>[1]</sup>	0000 0000
	<b>Bit address</b>		<b>D7</b>	<b>D6</b>	<b>D5</b>	<b>D4</b>	<b>D3</b>	<b>D2</b>	<b>D1</b>	<b>D0</b>		
PSW*	Program status word	D0H	CY	AC	F0	RS1	RS0	OV	F1	P	00	0000 0000
PT0AD	Port 0 digital input disable	F6H	-	-	PT0AD.5	PT0AD.4	PT0AD.3	PT0AD.2	PT0AD.1	-	00	xx00 000x
RSTSRC	Reset source register	DFH	-	BOIF	BOF	POF	R_BK	R_WD	R_SF	R_EX	<sup>[3]</sup>	
RTCCON	RTC control	D1H	RTCF	RTCS1	RTCS0	-	-	-	ERTC	RTCEN	60 <sup>[1][6]</sup>	011x xx00
RTCH	RTC register high	D2H									00 <sup>[6]</sup>	0000 0000
RTCL	RTC register low	D3H									00 <sup>[6]</sup>	0000 0000
SADDR	Serial port address register	A9H									00	0000 0000
SADEN	Serial port address enable	B9H									00	0000 0000
SBUF	Serial Port data buffer register	99H									xx	xxxx xxxx
	<b>Bit address</b>		<b>9F</b>	<b>9E</b>	<b>9D</b>	<b>9C</b>	<b>9B</b>	<b>9A</b>	<b>99</b>	<b>98</b>		
SCON*	Serial port control	98H	SM0/FE	SM1	SM2	REN	TB8	RB8	TI	RI	00	0000 0000
SSTAT	Serial port extended status register	BAH	DBMOD	INTLO	CIDIS	DBISEL	FE	BR	OE	STINT	00	0000 0000

**Table 4. Special function registers - P89LPC9241/9251 ...continued**  
 \* indicates SFRs that are bit addressable.

Name	Description	SFR addr.	Bit functions and addresses								Reset value	
			MSB							LSB	Hex	Binary
SP	Stack pointer	81H									07	0000 0111
TAMOD	Timer 0 and 1 auxiliary mode	8FH	-	-	-	T1M2	-	-	-	T0M2	00	xxx0 xxx0
	<b>Bit address</b>		<b>8F</b>	<b>8E</b>	<b>8D</b>	<b>8C</b>	<b>8B</b>	<b>8A</b>	<b>89</b>	<b>88</b>		
TCON*	Timer 0 and 1 control	88H	TF1	TR1	TF0	TR0	IE1	IT1	IE0	IT0	00	0000 0000
TH0	Timer 0 high	8CH									00	0000 0000
TH1	Timer 1 high	8DH									00	0000 0000
TL0	Timer 0 low	8AH									00	0000 0000
TL1	Timer 1 low	8BH									00	0000 0000
TMOD	Timer 0 and 1 mode	89H	T1GATE	T1C/T	T1M1	T1M0	T0GATE	T0C/T	T0M1	T0M0	00	0000 0000
TRIM	Internal oscillator trim register	96H	RCCLK	ENCLK	TRIM.5	TRIM.4	TRIM.3	TRIM.2	TRIM.1	TRIM.0	[5][6]	
WDCON	Watchdog control register	A7H	PRE2	PRE1	PRE0	-	-	WDRUN	WDTOF	WDCLK	[4][6]	
WDL	Watchdog load	C1H									FF	1111 1111
WFEED1	Watchdog feed 1	C2H										
WFEED2	Watchdog feed 2	C3H										

[1] All ports are in input only (high-impedance) state after power-up.

[2] BRGR1 and BRGR0 must only be written if BRGEN in BRGCON SFR is logic 0. If any are written while BRGEN = 1, the result is unpredictable.

[3] The RSTSRC register reflects the cause of the P89LPC9241/9251 reset except BOIF bit. Upon a power-up reset, all reset source flags are cleared except POF and BOF; the power-on reset value is x011 0000.

[4] After reset, the value is 1110 01x1, i.e., PRE2 to PRE0 are all logic 1, WDRUN = 1 and WDCLK = 1. WDTOF bit is logic 1 after watchdog reset and is logic 0 after power-on reset. Other resets will not affect WDTOF.

[5] On power-on reset and watchdog reset, the TRIM SFR is initialized with a factory preprogrammed value. Other resets will not cause initialization of the TRIM register.

[6] The only reset sources that affect these SFRs are power-on reset and watchdog reset.

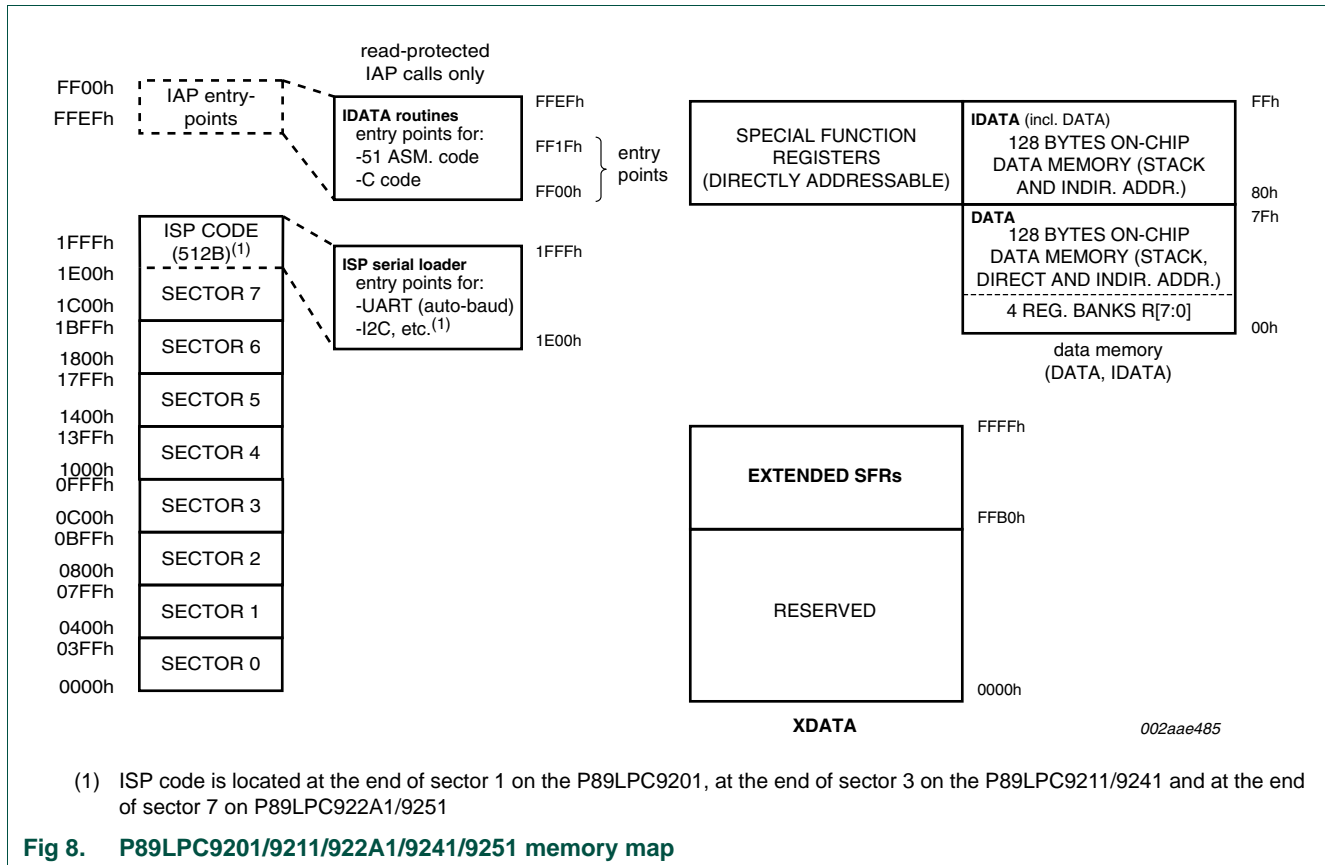
CLKCON register reset value comes from UCFG1 and UCFG2. The reset value of CLKCON.2 to CLKCON.0 come from UCFG1.2 to UCFG1.0 and reset value of CLKDBL bit comes from UCFG2.7

**Table 5. Extended special function registers - P89LPC9241/9251** [\[1\]](#)

Name	Description	SFR addr.	Bit functions and addresses								Reset value	
			MSB				LSB				Hex	Binary
BODCFG	BOD configuration register	FFC8H	-	-	-	-	-	-	BOICFG1	BOICFG0	<a href="#">[2]</a>	
CLKCON	CLOCK Control register	FFDEH	CLKOK	-	-	XTALWD	CLKDBL	FOSC2	FOSC1	FOSC0	<a href="#">[3]</a>	
TPSCON	Temperature sensor control register	FFCAH	-	-	-	-	TSEL1	TSEL0	-	-	00	0000 0000
RTCDATH	Real-time clock data register high	FFBFH									00	0000 0000
RTCDATL	Real-time clock data register low	FFBEH									00	0000 0000

- [1] Extended SFRs are physically located on-chip but logically located in external data memory address space (XDATA). The MOVX A,@DPTR and MOVX @DPTR,A instructions are used to access these extended SFRs.
- [2] The BOICFG1/0 will be copied from UCFG1.5 and UCFG1.3 when power-on reset.
- [3] CLKCON register reset value comes from UCFG1 and UCFG2. The reset value of CLKCON.2 to CLKCON.0 come from UCFG1.2 to UCFG1.0 and reset value of CLKDBL bit comes from UCFG2.7.

### 1.6 Memory organization



The various P89LPC9201/9211/922A1/9241/9251 memory spaces are as follows:

**DATA** — 128 bytes of internal data memory space (00h:7Fh) accessed via direct or indirect addressing, using instruction other than MOVX and MOVC. All or part of the Stack may be in this area.

**IDATA** — Indirect Data. 256 bytes of internal data memory space (00h:FFh) accessed via indirect addressing using instructions other than MOVX and MOVC. All or part of the Stack may be in this area. This area includes the DATA area and the 128 bytes immediately above it.

**SFR** — Special Function Registers. Selected CPU registers and peripheral control and status registers, accessible only via direct addressing.

**CODE** — 64 kB of Code memory space, accessed as part of program execution and via the MOVC instruction. The P89LPC9201/9211/922A1/9241/9251 has 2 kB/4 kB/8 kB of on-chip Code memory.

**Table 6. Data RAM arrangement**

Type	Data RAM	Size (bytes)
DATA	Directly and indirectly addressable memory	128
IDATA	Indirectly addressable memory	256



## 2. Clocks

### 2.1 Enhanced CPU

The P89LPC9201/9211/922A1/9241/9251 uses an enhanced 80C51 CPU which runs at six times the speed of standard 80C51 devices. A machine cycle consists of two CPU clock cycles, and most instructions execute in one or two machine cycles.

### 2.2 Clock definitions

The P89LPC9201/9211/922A1/9241/9251 device has several internal clocks as defined below:

**OSCCLK** — Input to the DIVM clock divider. OSCCLK is selected from one of four clock sources and can also be optionally divided to a slower frequency (see [Figure 10](#) and [Section 2.10](#)). **Note:**  $f_{osc}$  is defined as the OSCCLK frequency.

**CCLK** — CPU clock; output of the DIVM clock divider. There are two CCLK cycles per machine cycle, and most instructions are executed in one to two machine cycles (two or four CCLK cycles).

**RCCLK** — The internal 7.373 MHz RC oscillator output. The clock doubler option, when enabled, provides an output frequency of 14.746 MHz.

**PCLK** — Clock for the various peripheral devices and is  $CCLK/2$ .

#### 2.2.1 Oscillator Clock (OSCCLK)

The P89LPC9201/9211/922A1/9241/9251 provides several user-selectable oscillator options in generating the CPU clock. This allows optimization for a range of needs from high precision to lowest possible cost. These options are configured when the flash is programmed and include an on-chip watchdog oscillator, an on-chip RC oscillator, an oscillator using an external crystal, or an external clock source.

### 2.3 Crystal oscillator option

The crystal oscillator can be optimized for low, medium, or high frequency crystals covering a range from 20 kHz to 18 MHz. It can be the clock source of OSCCLK and RTC. Low speed oscillator option can be the clock source of WDT.

#### 2.3.1 Low speed oscillator option

This option supports an external crystal in the range of 20 kHz to 100 kHz. Ceramic resonators are also supported in this configuration

#### 2.3.2 Medium speed oscillator option

This option supports an external crystal in the range of 100 kHz to 4 MHz. Ceramic resonators are also supported in this configuration.

#### 2.3.3 High speed oscillator option

This option supports an external crystal in the range of 4 MHz to 18 MHz. Ceramic resonators are also supported in this configuration.

## 2.4 Clock output

The P89LPC9201/9211/922A1/9241/9251 supports a user-selectable clock output function on the XTAL2 / CLKOUT pin when the crystal oscillator is not being used. This condition occurs if a different clock source has been selected (on-chip RC oscillator, watchdog oscillator, external clock input on X1) and if the Real-time Clock and Watchdog Timer are not using the crystal oscillator as their clock source. This allows external devices to synchronize to the P89LPC9201/9211/922A1/9241/9251. This output is enabled by the ENCLK bit in the TRIM register.

The frequency of this clock output is  $\frac{1}{2}$  that of the CCLK. If the clock output is not needed in Idle mode, it may be turned off prior to entering Idle, saving additional power. Note: on reset, the TRIM SFR is initialized with a factory preprogrammed value. Therefore when setting or clearing the ENCLK bit, the user should retain the contents of other bits of the TRIM register. This can be done by reading the contents of the TRIM register (into the ACC for example), modifying bit 6, and writing this result back into the TRIM register. Alternatively, the 'ANL direct' or 'ORL direct' instructions can be used to clear or set bit 6 of the TRIM register.

## 2.5 On-chip RC oscillator option

The P89LPC9201/9211/922A1/9241/9251 has a 6-bit TRIM register that can be used to tune the frequency of the RC oscillator. During reset, the TRIM value is initialized to a factory pre-programmed value to adjust the oscillator frequency to 7.373 MHz  $\pm$  1 % at room temperature. (Note: the initial value is better than 1 %; please refer to the *P89LPC9201/9211/922A1/9241/9251 data sheet* for behavior over temperature). End user applications can write to the TRIM register to adjust the on-chip RC oscillator to other frequencies. Increasing the TRIM value will decrease the oscillator frequency. When the clock doubler option is enabled (UCFG2.7 = 1), the output frequency is doubled. If CCLK is 8 MHz or slower, the CLKLP SFR bit (AUXR1.7) can be set to logic 1 to reduce power consumption. On reset, CLKLP is logic 0 allowing highest performance access. This bit can then be set in software if CCLK is running at 8 MHz or slower. When clock doubler option is enabled, BOE1 bit (UCFG1.5) and BOE0 bit (UCFG1.3) are required to hold the device in reset at power-up until  $V_{DD}$  has reached its specified level.

**Table 7. On-chip RC oscillator trim register (TRIM - address 96h) bit allocation**

Bit	7	6	5	4	3	2	1	0
Symbol	RCCLK	ENCLK	TRIM.5	TRIM.4	TRIM.3	TRIM.2	TRIM.1	TRIM.0
Reset	0	0	Bits 5:0 loaded with factory stored value during reset.					

Table 8. On-chip RC oscillator trim register (TRIM - address 96h) bit description

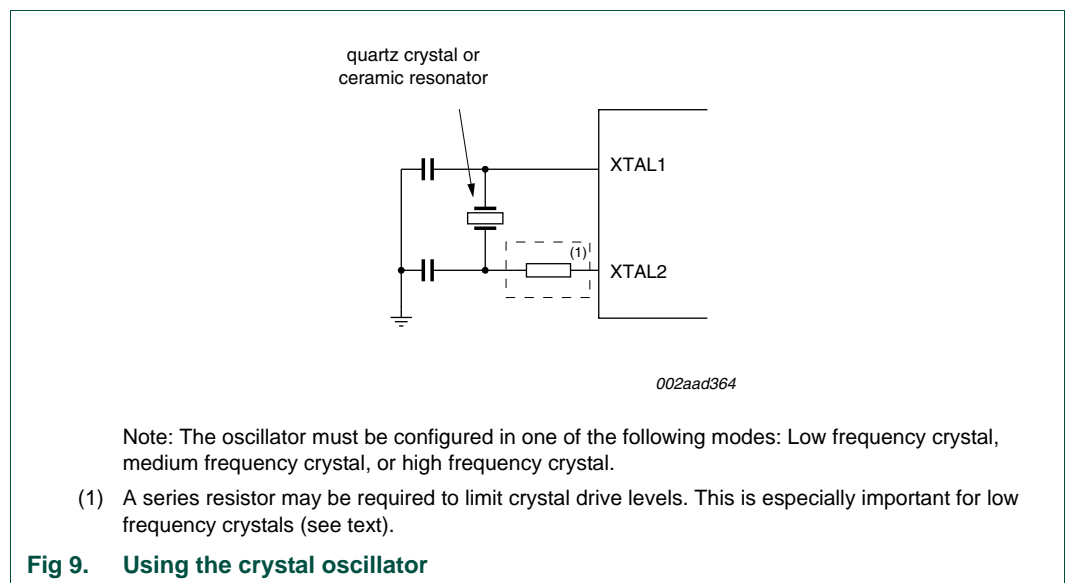
Bit	Symbol	Description
0	TRIM.0	Trim value. Determines the frequency of the internal RC oscillator. During reset, these bits are loaded with a stored factory calibration value. When writing to either bit 6 or bit 7 of this register, care should be taken to preserve the current TRIM value by reading this register, modifying bits 6 or 7 as required, and writing the result to this register.
1	TRIM.1	
2	TRIM.2	
3	TRIM.3	
4	TRIM.4	
5	TRIM.5	
6	ENCLK	when = 1, $CCLK_{1/2}$ is output on the XTAL2 pin provided the crystal oscillator is not being used.
7	RCCLK	when = 1, selects the RC Oscillator output as the CPU clock (CCLK). This allows for fast switching between any clock source and the internal RC oscillator without needing to go through a reset cycle.

## 2.6 Watchdog oscillator option

The watchdog has a separate oscillator which has a frequency of 400 kHz, calibrated to  $\pm 5\%$  at room temperature. This oscillator can be used to save power when a high clock frequency is not needed.

## 2.7 External clock input option

In this configuration, the processor clock is derived from an external source driving the XTAL1 / P3.1 pin. The rate may be from 0 Hz up to 18 MHz. The XTAL2 / P3.0 pin may be used as a standard port pin or a clock output. When using an oscillator frequency above 12 MHz, BOE1 bit (UCFG1.5) and BOE0 bit (UCFG1.3) are required to hold the device in reset at power-up until  $V_{DD}$  has reached its specified level.



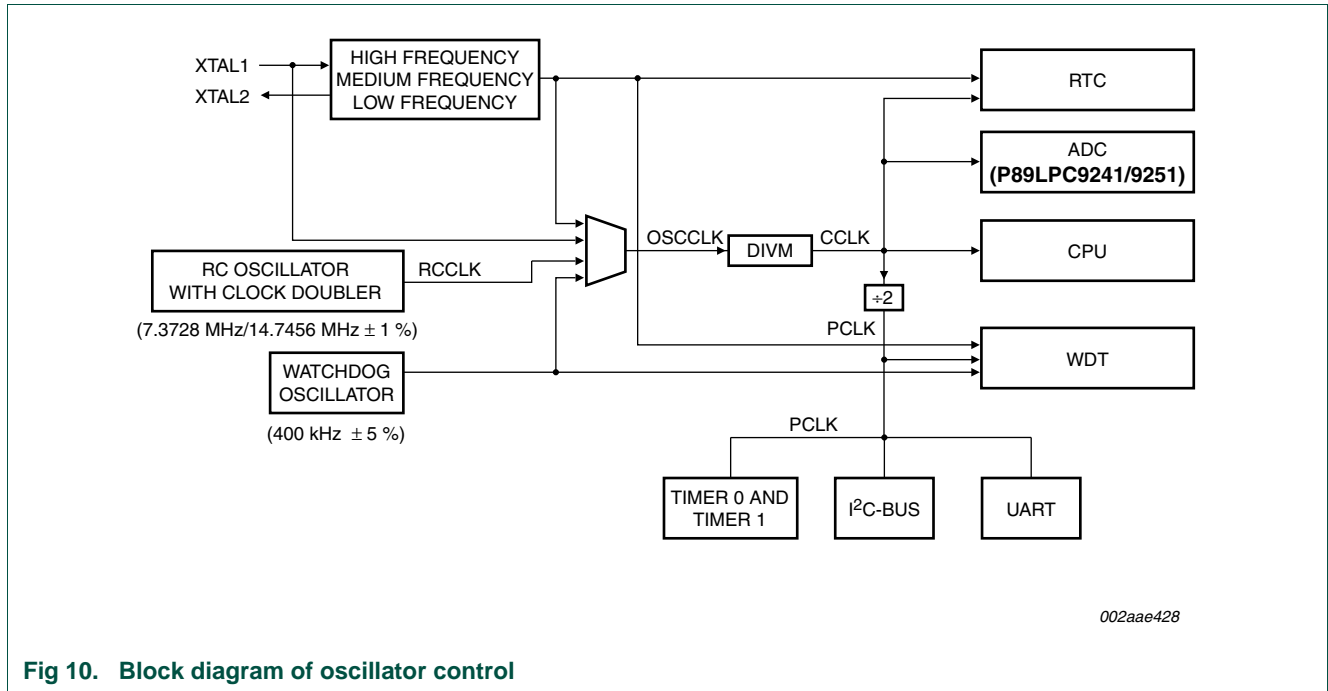


Fig 10. Block diagram of oscillator control

## 2.8 Clock source switching on the fly

P89LPC9201/9211/922A1/9241/9251 can implement clock source switch in any sources of watchdog oscillator, 7/14MHz IRC oscillator, crystal oscillator and external clock input during code is running. CLKOK bit in register CLKCON is read only and used to indicate the clock switch status. When CLKOK is '0', clock switch is processing, not completed. When CLKOK is '1', clock switch is completed. When start new clock source switch, CLKOK is cleared automatically. Notice that when CLKOK is '0', Writing to CLKCON register is not allowed. During reset, CLKCON register value comes from UCFG1 and UCFG2. The reset value of CLKCON.2 to CLKCON.0 come from UCFG1.2 to UCFG1.0 and reset value of CLKDBL bit comes from UCFG2.7.

Table 9. Clock control register (CLKCON - address FFDEh) bit allocation

Bit	7	6	5	4	3	2	1	0
Symbol	CLKOK	-	-	XTALWD	CLKDBL	FOSC2	FOSC1	FOSC0
Reset	1	0	0	0	x	x	x	x

Table 10. Clock control register (CLKCON - address FFDEh) bit description

Bit	Symbol	Description
2:0	FOSC2, FOSC1, FOSC0	CPU oscillator type selection for clock switch. See <a href="#">Section 2</a> for additional information. Combinations other than those shown in <a href="#">Table 11</a> are reserved for future use and should not be used.
3	CLKDBL	Clock doubler option for clock switch. When set, doubles the output frequency of the internal RC oscillator.
4	XTALWD	Low speed external crystal oscillator as the clock source of watchdog timer. When = 0, disable the external crystal oscillator as the clock source of watchdog timer.
6:5	-	reserved
7	CLKOK	Clock switch completed flag. When = 1, clock switch is completed. When = 0, clock switch is processing and writing to register CLKCON is not allowed.

Table 11. Oscillator type selection for clock switch

FOSC[2:0]	Oscillator configuration
111	External clock input on XTAL1.
100	Watchdog Oscillator, 400 kHz $\pm$ 5 %.
011	Internal RC oscillator, 7.373 MHz $\pm$ 1 %.
010	Low frequency crystal, 20 kHz to 100 kHz.
001	Medium frequency crystal or resonator, 100 kHz to 4 MHz.
000	High frequency crystal or resonator, 4 MHz to 18 MHz.

## 2.9 Oscillator Clock (OSCCLK) wake-up delay

The P89LPC9201/9211/922A1/9241/9251 has an internal wake-up timer that delays the clock until it stabilizes depending on the clock source used. If the clock source is any of the three crystal selections (low, medium and high frequencies) the delay is 1024 OSCCLK cycles plus 60  $\mu$ s to 100  $\mu$ s. If the clock source is the internal RC oscillator, the delay is 200  $\mu$ s to 300  $\mu$ s. If the clock source is watchdog oscillator or external clock, the delay is 32 OSCCLK cycles.

## 2.10 CPU Clock (CCLK) modification: DIVM register

The OSCCLK frequency can be divided down, by an integer, up to 510 times by configuring a dividing register, DIVM, to provide CCLK. This produces the CCLK frequency using the following formula:

$$\text{CCLK frequency} = f_{\text{osc}} / (2N)$$

Where:  $f_{\text{osc}}$  is the frequency of OSCCLK, N is the value of DIVM.

Since N ranges from 0 to 255, the CCLK frequency can be in the range of  $f_{\text{osc}}$  to  $f_{\text{osc}}/510$ . (for N = 0, CCLK =  $f_{\text{osc}}$ ).

This feature makes it possible to temporarily run the CPU at a lower rate, reducing power consumption. By dividing the clock, the CPU can retain the ability to respond to events other than those that can cause interrupts (i.e. events that allow exiting the Idle mode) by executing its normal program at a lower rate. This can often result in lower power consumption than in Idle mode. This can allow bypassing the oscillator start-up time in cases where Power-down mode would otherwise be used. The value of DIVM may be changed by the program at any time without interrupting code execution.

## 2.11 Low power select

The P89LPC9201/9211/922A1/9241/9251 is designed to run at 18 MHz (CCLK) maximum. However, if CCLK is 8 MHz or slower, the CLKLP SFR bit (AUXR1.7) can be set to a logic 1 to lower the power consumption further. On any reset, CLKLP is logic 0 allowing highest performance. This bit can then be set in software if CCLK is running at 8 MHz or slower.

## 3. A/D converter (P89LPC9241/9251)

---

### 3.1 General description

The P89LPC9241/9251 has two analog-to-digital converter modules: ADC0 and ADC1. ADC1 is an 8-bit, 4-channel multiplexed successive approximation analog-to-digital converter. ADC0 is dedicated for on-chip temperature sensor which operates over wide temperature. The temperature sensor is measured through Anin03. Anin00, Anin01 and Anin02 are unused. A block diagram of the A/D converter is shown in [Figure 11](#). The A/D converter consists of an 4-input multiplexer which feeds a sample-and-hold circuit providing an input signal to one of two comparator inputs. The control logic in combination with the SAR drives a digital-to-analog converter which provides the other input to the comparator. The output of the comparator is fed to the SAR.

### 3.2 A/D features

- 8-bit, 4-channel multiplexed input, successive approximation A/D converter
- On-chip wide range temperature sensor
- Four result registers for each A/D
- Six operating modes
  - Fixed channel, single conversion mode
  - Fixed channel, continuous conversion mode
  - Auto scan, single conversion mode
  - Auto scan, continuous conversion mode
  - Dual channel, continuous conversion mode
  - Single step mode
- Three conversion start modes
  - Timer triggered start
  - Start immediately
  - Edge triggered
- 8-bit conversion time of  $\geq 1.61 \mu\text{s}$  at an A/D clock of 8.0 MHz
- Interrupt or polled operation
- High and low boundary limits interrupt
- DAC output to a port pin with high output impedance
- Clock divider
- Power down mode

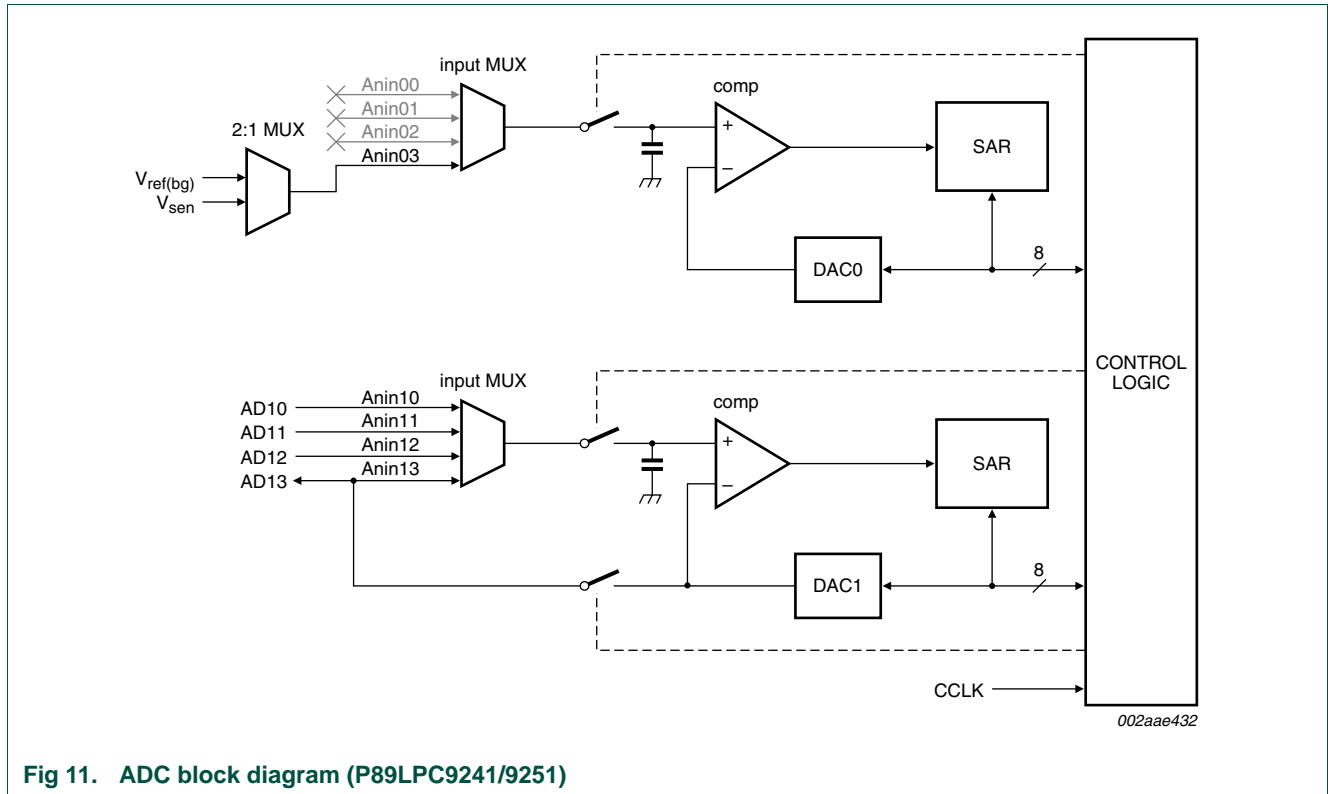


Fig 11. ADC block diagram (P89LPC9241/9251)

### 3.2.1 Temperature sensor

An on-chip wide range temperature sensor is integrated. It provides temperature sensing capability of  $-40\text{ }^{\circ}\text{C} \sim 85\text{ }^{\circ}\text{C}$ . ADC0 is dedicated for the temperature sensor. And the temperature sensor is measured through Anin03. To get an accurate temperature value, it is necessary to get supply voltage by measuring the internal reference voltage  $V_{ref(bg)}$  first. Temperature sensor voltage can be calculated by the following formula:

$$V_{sen} = A_{sen} \times V_{ref(bg)} / A_{ref(bg)} \tag{1}$$

In formula (1),  $A_{ref(bg)}$  is the A/D converting result of  $V_{ref(bg)}$  and  $A_{sen}$  is the A/D converting result of  $V_{sen}$ .

Temperature Sensor transfer function can be shown in the following formula:

$$V_{sen} = m \times temp + b \text{ (where } m = 11.3\text{ mV}/^{\circ}\text{C}, b = 890\text{ mV)} \tag{2}$$

Temperature Sensor usage steps:

1. Config TSEL1 and TSEL0 as '01' to choose internal reference voltage.
2. Using ADC to get converting result as  $A_{ref}$ .
3. Config TSEL1 and TSEL0 as '10' to choose temperature sensor.
4. Using ADC to get converting result as  $A_{sen}$ .
5. Calculate  $V_{sen}$  with formula (1).
6. Calculate Temperature with formula (2).

### 3.2.2 ADC operating modes

#### 3.2.2.1 Fixed channel, single conversion mode

A single input channel can be selected for conversion. A single conversion will be performed and the result placed in the result register which corresponds to the selected input channel (see [Table 12](#)). An interrupt, if enabled, will be generated after the conversion completes. The input channel is selected in the ADINS register. This mode is selected by setting the SCANx bit in the ADMODA register.

**Table 12. Input channels and result registers for fixed channel single, auto scan single and auto scan continuous conversion mode**

Result register	Input channel
AD0DAT0	Anin00 (unused)
AD0DAT1	Anin01 (unused)
AD0DAT2	Anin02 (unused)
AD0DAT3	Anin03
AD1DAT0	Anin10
AD1DAT1	Anin11
AD1DAT2	Anin12
AD1DAT3	Anin13

#### 3.2.2.2 Fixed channel, continuous conversion mode

A single input channel can be selected for continuous conversion. The results of the conversions will be sequentially placed in the four result registers (see [Table 13](#)). An interrupt, if enabled, will be generated after every four conversions. Additional conversion results will again cycle through the four result registers, overwriting the previous results. Continuous conversions continue until terminated by the user. This mode is selected by setting the SCCx bit in the ADMODA register.

**Table 13. Result registers and conversion results for fixed channel, continuous conversion mode**

Result register	Contains
ADxDAT0	Selected channel, first conversion result
ADxDAT1	Selected channel, second conversion result
ADxDAT2	Selected channel, third conversion result
ADxDAT3	Selected channel, fourth conversion result

#### 3.2.2.3 Auto scan, single conversion mode

Any combination of the four input channels can be selected for conversion by setting a channel's respective bit in the ADINS register. The channels are converted from LSB to MSB order (in ADINS). A single conversion of each selected input will be performed and the result placed in the result register which corresponds to the selected input channel (See [Table 12](#)). An interrupt, if enabled, will be generated after all selected channels have been converted. If only a single channel is selected this is equivalent to single channel, single conversion mode. This mode is selected by setting the SCANx bit in the ADMODA register.



### 3.2.2.4 Auto scan, continuous conversion mode

Any combination of the four input channels can be selected for conversion by setting a channel's respective bit in the ADINS register. The channels are converted from LSB to MSB order (in ADINS). A conversion of each selected input will be performed and the result placed in the result register which corresponds to the selected input channel (See [Table 12](#)). An interrupt, if enabled, will be generated after all selected channels have been converted. The process will repeat starting with the first selected channel. Additional conversion results will again cycle through the result registers of the selected channels, overwriting the previous results. Continuous conversions continue until terminated by the user. This mode is selected by setting the BURSTx bit in the ADMODA register.

### 3.2.2.5 Dual channel, continuous conversion mode

The any combination of two of the four input channels can be selected for conversion. The result of the conversion of the first channel is placed in the first result register. The result of the conversion of the second channel is placed in the second result register. The first channel is again converted and its result stored in the third result register. The second channel is again converted and its result placed in the fourth result register (See [Table 14](#)). An interrupt is generated, if enabled, after every set of four conversions (two conversions per channel). This mode is selected by setting the SCCx bit in the ADMODA register.

**Table 14. Result registers and conversion results for dual channel, continuous conversion mode**

Result register	Contains
ADxDAT0	First channel, first conversion result
ADxDAT1	Second channel, first conversion result
ADxDAT2	First channel, second conversion result
ADxDAT3	Second channel, second conversion result

### 3.2.2.6 Single step mode

This special mode allows 'single-stepping' in an auto scan conversion mode. Any combination of the four input channels can be selected for conversion. After each channel is converted, an interrupt is generated, if enabled, and the A/D waits for the next start condition. The result of each channel is placed in the result register which corresponds to the selected input channel (See [Table 12](#)). May be used with any of the start modes. This mode is selected by clearing the BURSTx, SCCx, and SCANx bits in the ADMODA register which correspond to the ADC in use.

### 3.2.2.7 Conversion mode selection bits

Each A/D uses three bits in ADMODA to select the conversion mode for that A/D. These mode bits are summarized in [Table 15](#), below. Combinations of the three bits, other than the combinations shown, are undefined.

Table 15. Conversion mode bits

Burst1	SCC1	Scan1	ADC1 conversion mode	Burst0	SCC0	Scan0	ADC0 conversion mode
0	0	0	Single step	0	0	0	Single step
0	0	1	Fixed channel, single	0	0	1	Fixed channel, single
			Auto scan, single				Auto scan, single
0	1	0	Fixed channel, continuous	0	1	0	Fixed channel, continuous
			Dual channel, continuous				Dual channel, continuous
1	0	0	Auto scan, continuous	1	0	0	Auto scan, continuous

### 3.2.3 Conversion start modes

#### 3.2.3.1 Timer triggered start

An A/D conversion is started by the overflow of Timer 0. Once a conversion has started, additional Timer 0 triggers are ignored until the conversion has completed. The Timer triggered start mode is available in all A/D operating modes. This mode is selected by the TMMx bit and the ADCSx1 and ADCSx0 bits (See [Table 17](#) and [Table 19](#)).

#### 3.2.3.2 Start immediately

Programming this mode immediately starts a conversion. This start mode is available in all A/D operating modes. This mode is selected by setting the ADCSx1 and ADCSx0 bits in the ADCONx register (See [Table 17](#) and [Table 19](#)).

#### 3.2.3.3 Edge triggered

An A/D conversion is started by rising or falling edge of P1.4. Once a conversion has started, additional edge triggers are ignored until the conversion has completed. The edge triggered start mode is available in all A/D operating modes. This mode is selected by setting the ADCSx1 and ADCSx0 bits in the ADCONx register (See [Table 17](#) and [Table 19](#)).

### 3.2.4 Boundary limits interrupt

Each of the A/D converters has both a high and low boundary limit register. The user may select whether an interrupt is generated when the conversion result is within (or equal to) the high and low boundary limits or when the conversion result is outside the boundary limits. An interrupt will be generated, if enabled, if the result meets the selected interrupt criteria. The boundary limit may be disabled by clearing the boundary limit interrupt enable.

An early detection mechanism exists when the interrupt criteria has been selected to be outside the boundary limits. In this case, after the four MSBs have been converted, these four bits are compared with the four MSBs of the boundary high and low registers. If the four MSBs of the conversion meet the interrupt criteria (i.e. - outside the boundary limits) an interrupt will be generated, if enabled. If the four MSBs do not meet the interrupt criteria, the boundary limits will again be compared after all 8 bits have been converted. The boundary status register (BNDSTA0) flags the channels which caused a boundary interrupt.

### 3.2.5 DAC output to a port pin with high output impedance

The DAC block of ADC1 can be output to a port pin. In this mode, the AD1DAT3 register is used to hold the value fed to the DAC. After a value has been written to the DAC (written to AD1DAT3), the DAC output will appear on the channel 3 pin. The DAC output is enabled by the ENDAC1 bit in the ADMODB register (See [Table 23](#)).

### 3.2.6 Clock divider

The A/D converter requires that its internal clock source be in the range of 320kHz to 8MHz to maintain accuracy. A programmable clock divider that divides the clock from 1 to 8 is provided for this purpose (See [Table 23](#)).

### 3.2.7 I/O pins used with ADC functions

The analog input pins maybe be used as either digital I/O or as inputs to A/D and thus have a digital input and output function. In order to give the best analog performance, pins that are being used with the ADC should have their digital outputs and inputs disabled and have the 5V tolerance disconnected. Digital outputs are disabled by putting the port pins into the input-only mode as described in the Port Configurations section (see [Table 31](#)). Digital inputs will be disconnected automatically from these pins when the pin has been selected by setting its corresponding bit in the ADINS register and its corresponding A/D has been enabled.

When used as digital I/O these pins are 5 V tolerant. If selected as input signals in ADINS, these pins will be 3V tolerant if the corresponding A/D is enabled and the device is not in power down. Otherwise the pin will remain 5V tolerant. Please refer to the *P89LPC9201/9211/922A1/9241/9251 data sheet* for specifications.

### 3.2.8 Power-down and Idle mode

In Idle mode the A/D converter, if enabled, will continue to function and can cause the device to exit Idle mode when the conversion is completed if the A/D interrupt is enabled.

Power can be reduced by disabling temperature sensor and A/D. If ADC is configured to be in power down mode via PCONA.4, the internal clock to the ADC is disabled. To fully power-down the ADC, the user should clear the ENADC bits in ADCONx registers. Temperature sensor can be disabled via setting TSEL1/0 not to '10'.

In Power-down mode or Total Power-down mode, the A/D and Temp sensor do not function.

**Table 16. A/D Control register 0 (ADCON0 - address 8Eh) bit allocation**

Bit	7	6	5	4	3	2	1	0
Symbol	ENBIO	ENADCIO	TMM0	EDGE0	ADCIO	ENADC0	ADCS01	ADCS00
Reset	0	0	0	0	0	0	0	0

**Table 17. A/D Control register 0 (ADCON0 - address 97h) bit description**

Bit	Symbol	Description
1:0	ADCS01,ADCS00	A/D start mode bits, see below.  <b>00</b> — Timer Trigger Mode when TMM0 = 1. Conversions starts on overflow of Timer 0. When TMM0 = 0, no start occurs (stop mode). <b>01</b> — Immediate Start Mode. Conversion starts immediately. <b>10</b> — Edge Trigger Mode. Conversion starts when edge condition defined by bit EDGE0 occurs.
2	ENADC0	Enable ADC0. When set = 1, enables ADC0, when = 0, the ADC is in power-down.
3	ADCIO	A/D Conversion complete Interrupt 0. Set when any conversion or set of multiple conversions has completed. Cleared by software.
4	EDGE0	An edge conversion start is triggered by a falling edge on P1.4 when EDGE0 = 0 while in edge-triggered mode. An edge conversion start is triggered by a rising edge on P1.4 when EDGE0 =1 while in edge-triggered mode.
5	TMM0	Timer Trigger Mode 0. Selects either stop mode (TMM0 = 0) or timer trigger mode (TMM0 = 1) when the ADCS01 and ADCS00 bits = 00.
6	ENADCIO	Enable A/D Conversion complete Interrupt 0. When set, will cause an interrupt if the ADCIO flag is set and the A/D interrupt is enabled.
7	ENBIO	Enable A/D boundary interrupt 0. When set, will cause an interrupt if the boundary interrupt 0 flag, BNDIO, is set and the A/D interrupt is enabled.

**Table 18. A/D Control register 1(ADCON1 - address 97h) bit allocation**

Bit	7	6	5	4	3	2	1	0
Symbol	ENBI1	ENADC11	TMM1	EDGE1	ADC11	ENADC1	ADCS11	ADCS10
Reset	0	0	0	0	0	0	0	0

**Table 19. A/D Control register 1(ADCON1 - address 97h) bit description**

Bit	Symbol	Description
1:0	ADCS11,ADCS10	A/D start mode bits, see below.  <b>00</b> — Timer Trigger Mode when TMM1 = 1. Conversions starts on overflow of Timer 0. When TMM1 = 0, no start occurs (stop mode). <b>01</b> — Immediate Start Mode. Conversion starts immediately. <b>10</b> — Edge Trigger Mode. Conversion starts when edge condition defined by bit EDGE1 occurs. <b>11</b> — Dual Immediate Start Mode. Both ADCs start a conversion immediately.
2	ENADC1	Enable A/D channel 1. When set = 1, enables ADC1. Must also be set for D/A operation of this channel.
3	ADC11	A/D Conversion complete Interrupt 1. Set when any conversion or set of multiple conversions has completed. Cleared by software.
4	EDGE1	When = 0, an Edge conversion start is triggered by a falling edge on P1.4 When = 1, an Edge conversion start is triggered by a rising edge on P1.4.
5	TMM1	Timer Trigger Mode 1. Selects either stop mode (TMM1 = 0) or timer trigger mode (TMM1 = 1) when the ADCS11 and ADCS10 bits = 00.
6	ENADC11	Enable A/D Conversion complete Interrupt 1. When set, will cause an interrupt if the ADC11 flag is set and the A/D interrupt is enabled.
7	ENBI1	Enable A/D boundary interrupt 1. When set, will cause and interrupt if the boundary interrupt 1flag, BNDI1, is set and the A/D interrupt is enabled.

**Table 20. A/D Mode register A (ADMODA - address 0C0h) bit allocation**

Bit	7	6	5	4	3	2	1	0
Symbol	BNDI1	BURST1	SCC1	SCAN1	BNDI0	BURST0	SCC0	SCAN0
Reset	0	0	0	0	0	0	0	0

**Table 21. A/D Mode register A (ADMODA - address 0C0h) bit description**

Bit	Symbol	Description
0	SCAN0	When = 1, selects single conversion mode (auto scan or fixed channel) for ADC0
1	SCC0	When = 1, selects fixed channel, continuous conversion mode for ADC0
2	BURST0	When = 1, selects auto scan, continuous conversion mode for ADC0
3	BNDI0	ADC0 boundary interrupt flag. When set, indicates that the converted result is outside of the range defined by the ADC0 boundary registers
4	SCAN1	When = 1, selects single conversion mode (auto scan or fixed channel) for ADC1.
5	SCC1	When = 1, selects fixed channel, continuous conversion mode for ADC1.
6	BURST1	When = 1, selects auto scan, continuous conversion mode for ADC1.
7	BNDI1	ADC1 boundary interrupt flag. When set, indicates that the converted result is outside of the range defined by the ADC1 boundary registers.

**Table 22. A/D Mode register B (ADMODB - address A1h) bit allocation**

Bit	7	6	5	4	3	2	1	0
Symbol	CLK2	CLK1	CLK0	INBND0	ENDAC1	ENDAC0	BSA1	BSA0
Reset	0	0	0	0	0	0	0	0

**Table 23. A/D Mode register B (ADMODB - address A1h) bit description**

Bit	Symbol	Description
0	BSA0	ADC0 Boundary Select All. When =1, BNDI0 will be set if any ADC0 input exceeds the boundary limits. When = 0, BNDI0 will be set only if the AD00 input exceeded the boundary limits.
1	BSA1	ADC1 Boundary Select All. When =1, BNDI1 will be set if any ADC1 input exceeds the boundary limits. When = 0, BNDI1 will be set only if the AD10 input exceeded the boundary limits.
2	ENDAC0	when = 0 selects ADC mode for ADC0. (Note: This bit must be 0 when measure temperature sensor.)
3	ENDAC1	When =1 selects DAC mode for ADC1; when = 0 selects ADC mode.

**Table 23. A/D Mode register B (ADMODB - address A1h) bit description ...continued**

Bit	Symbol	Description
4	INBND0	When set = 1, generates an interrupt if the conversion result is inside or equal to the boundary limits. When cleared = 0, generates an interrupt if the conversion result is outside the boundary limits.
7:5	CLK2,CLK1,CLK0	Clock divider to produce the ADC clock. Divides CCLK by the value indicated below. The resulting ADC clock should be 8 MHz or less. A minimum of 0.5 MHz is required to maintain A/D accuracy.
		<b>CLK2:0 — Divisor</b>
		<b>000 — 1</b>
		<b>001 — 2</b>
		<b>010 — 3</b>
		<b>011 — 4</b>
		<b>100 — 5</b>
		<b>101 — 6</b>
		<b>110 — 7</b>
		<b>111 — 8</b>

**Table 24. A/D Input select (ADINS - address A3h) bit allocation**

Bit	7	6	5	4	3	2	1	0
Symbol	AIN13	AIN12	AIN11	AIN10	AIN03	AIN02	AIN01	AIN00
Reset	0	0	0	0	0	0	0	0

**Table 25. A/D Input select (ADINS - address A3h) bit description**

Bit	Symbol	Description
0	AIN00	When set, enables the Anin00 pin for sampling and conversion. (unused)
1	AIN01	When set, enables the Anin01 pin for sampling and conversion. (unused)
2	AIN02	When set, enables the Anin02 pin for sampling and conversion. (unused)
3	AIN03	When set, enables the Anin03 pin for sampling and conversion.
4	AIN10	When set, enables the Anin10 pin for sampling and conversion.
5	AIN11	When set, enables the Anin11 pin for sampling and conversion.
6	AIN12	When set, enables the Anin12 pin for sampling and conversion.
7	AIN13	When set, enables the Anin13 pin for sampling and conversion.

**Table 26. Temperature Sensor Control register (TPSCON - address FFCAh) bit allocation**

Bit	7	6	5	4	3	2	1	0
Symbol	-	-	-	-	TSEL1	TSEL0	-	-
Reset	0	0	0	0	0	0	0	0

**Table 27. Temperature Sensor Control register (TPSCON - address FFCAh) bit description(P89LPC9241/9251)**

Bit	Symbol	Description
1:0	-	Reserved
3:2	TSEL1, TSEL0	Temperature sensor mux selection. Select among temperature sensor, internal reference voltage  01 : internal reference voltage 10 : temperature sensor enabled and selected
4:7	-	Reserved

## 4. Interrupts

The P89LPC9201/9211/922A1/9241/9251 uses a four priority level interrupt structure. This allows great flexibility in controlling the handling of the P89LPC9201/9211/922A1/9241/9251's 12/13 interrupt sources.

Each interrupt source can be individually enabled or disabled by setting or clearing a bit in the interrupt enable registers IEN0 or IEN1. The IEN0 register also contains a global enable bit, EA, which enables all interrupts.

Each interrupt source can be individually programmed to one of four priority levels by setting or clearing bits in the interrupt priority registers IP0, IP0H, IP1, and IP1H. An interrupt service routine in progress can be interrupted by a higher priority interrupt, but not by another interrupt of the same or lower priority. The highest priority interrupt service cannot be interrupted by any other interrupt source. If two requests of different priority levels are received simultaneously, the request of higher priority level is serviced.

If requests of the same priority level are pending at the start of an instruction cycle, an internal polling sequence determines which request is serviced. This is called the arbitration ranking. Note that the arbitration ranking is only used for pending requests of the same priority level. [Table 29](#) summarizes the interrupt sources, flag bits, vector addresses, enable bits, priority bits, arbitration ranking, and whether each interrupt may wake-up the CPU from a Power-down mode.

### 4.1 Interrupt priority structure

**Table 28. Interrupt priority level**

Priority bits		Interrupt priority level
IPxH	IPx	
0	0	Level 0 (lowest priority)
0	1	Level 1
1	0	Level 2
1	1	Level 3

There are four SFRs associated with the four interrupt levels: IP0, IP0H, IP1, IP1H. Every interrupt has two bits in IPx and IPxH (x = 0, 1) and can therefore be assigned to one of four levels, as shown in [Table 29](#).

The P89LPC9201/9211/922A1/9241/9251 has two external interrupt inputs in addition to the Keypad Interrupt function. The two interrupt inputs are identical to those present on the standard 80C51 microcontrollers.

These external interrupts can be programmed to be level-triggered or edge-triggered by clearing or setting bit IT1 or IT0 in Register TCON. If ITn = 0, external interrupt n is triggered by a low level detected at the INTn pin. If ITn = 1, external interrupt n is edge triggered. In this mode if consecutive samples of the INTn pin show a high level in one cycle and a low level in the next cycle, interrupt request flag IEn in TCON is set, causing an interrupt request.

Since the external interrupt pins are sampled once each machine cycle, an input high or low level should be held for at least one machine cycle to ensure proper sampling. If the external interrupt is edge-triggered, the external source has to hold the request pin high for at least one machine cycle, and then hold it low for at least one machine cycle. This is to ensure that the transition is detected and that interrupt request flag IEn is set. IEn is automatically cleared by the CPU when the service routine is called.

If the external interrupt is level-triggered, the external source must hold the request active until the requested interrupt is generated. If the external interrupt is still asserted when the interrupt service routine is completed, another interrupt will be generated. It is not necessary to clear the interrupt flag IEn when the interrupt is level sensitive, it simply tracks the input pin level.

If an external interrupt has been programmed as level-triggered and is enabled when the P89LPC9201/9211/922A1/9241/9251 is put into Power-down mode or Idle mode, the interrupt occurrence will cause the processor to wake-up and resume operation. Refer to [Section 6.3 "Power reduction modes"](#) for details. Note: the external interrupt must be programmed as level-triggered to wake-up from Power-down mode.

## 4.2 External Interrupt pin glitch suppression

Most of the P89LPC9201/9211/922A1/9241/9251 pins have glitch suppression circuits to reject short glitches (please refer to the *P89LPC9201/9211/922A1/9241/9251 data sheet, Dynamic characteristics* for glitch filter specifications). However, pins SDA/INT0/P1.3 and SCL/T0/P1.2 do not have the glitch suppression circuits. Therefore, INT1 has glitch suppression while INT0 does not.

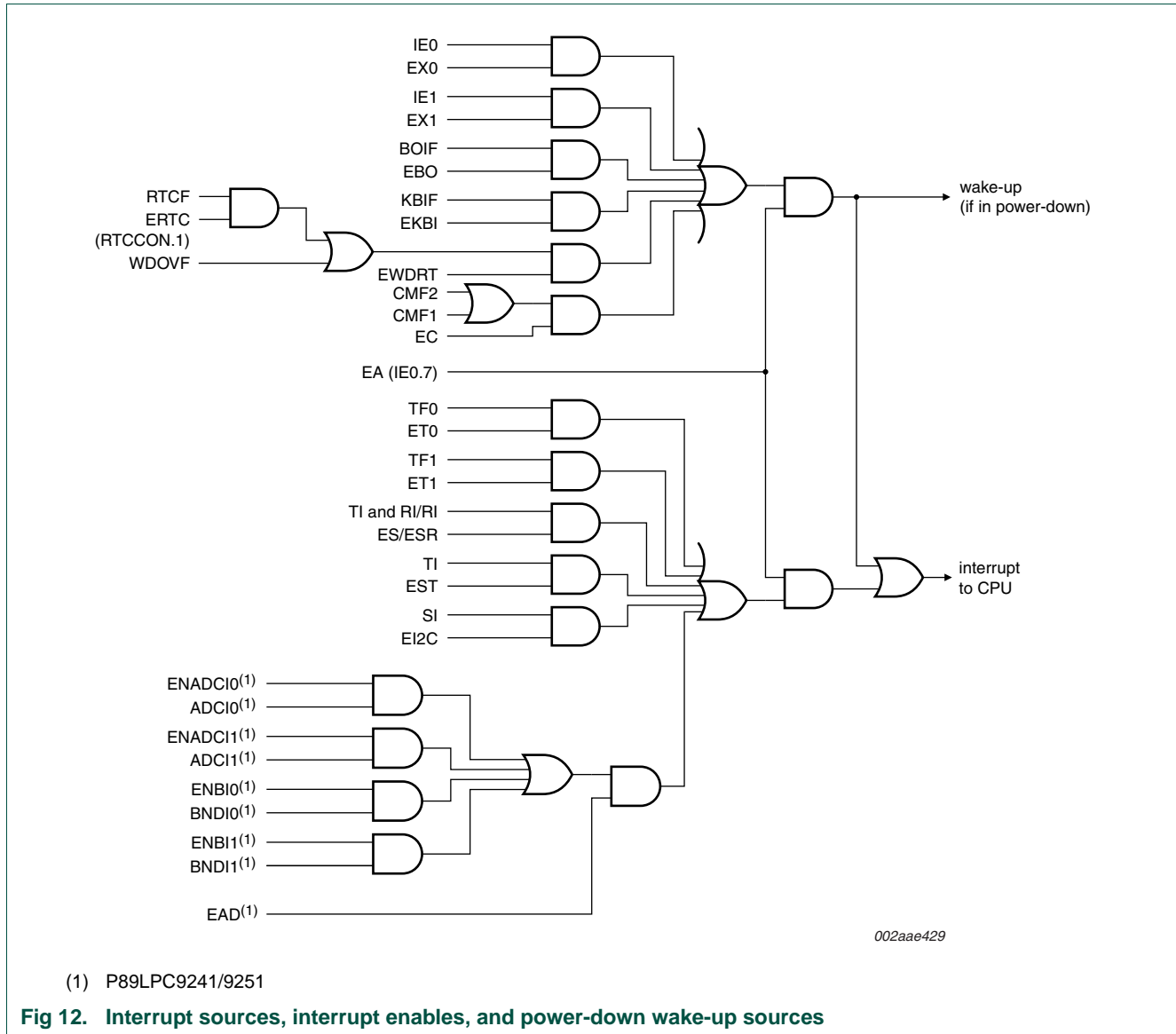
**Table 29. Summary of interrupts**

Description	Interrupt flag bit(s)	Vector address	Interrupt enable bit(s)	Interrupt priority	Arbitration ranking	Power-down wake-up
External interrupt 0	IE0	0003h	EX0 (IEN0.0)	IP0H.0, IP0.0	1 (highest)	Yes
Timer 0 interrupt	TF0	000Bh	ET0 (IEN0.1)	IP0H.1, IP0.1	4	No
External interrupt 1	IE1	0013h	EX1 (IEN0.2)	IP0H.2, IP0.2	7	Yes
Timer 1 interrupt	TF1	001Bh	ET1 (IEN0.3)	IP0H.3, IP0.3	10	No
Serial port Tx and Rx	TI and RI	0023h	ES/ESR (IEN0.4)	IP0H.4, IP0.4	13	No
Serial port Rx	RI					
Brownout detect	BOIF	002Bh	EBO (IEN0.5)	IP0H.5, IP0.5	2	Yes
Watchdog timer/Real-time clock	WDOVF/RTCF	0053h	EWDRT (IEN0.6)	IP0H.6, IP0.6	3	Yes
I <sup>2</sup> C interrupt	SI	0033h	EI2C (IEN1.0)	IP1H.0, IP1.0	5	No
KBI interrupt	KBIF	003Bh	EKBI (IEN1.1)	IP1H.1, IP1.1	8	Yes



Table 29. Summary of interrupts ...continued

Description	Interrupt flag bit(s)	Vector address	Interrupt enable bit(s)	Interrupt priority	Arbitration ranking	Power-down wake-up
Comparators 1 and 2 interrupts	CMF1/CMF2	0043h	EC (IEN1.2)	IP1H.2, IP1.2	11	Yes
Serial port Tx	TI	006Bh	EST (IEN1.6)	IP1H.6, IP1.6	12	No
ADC(P89LPC9241/9251)	ADC11, BND11	0073h	EAD (IEN1.7)	IP1H.7, IP1.7	15 (lowest)	No



## 5. I/O ports

The P89LPC9201/9211/922A1/9241/9251 has three I/O ports: Port 0, Port 1 and Port 3. Ports 0 and 1 are 8-bit ports, and Port 3 is a 2-bit port. The exact number of I/O pins available depends upon the clock and reset options chosen (see [Table 30](#)).

**Table 30. Number of I/O pins available**

Clock source	Reset option	Number of I/O pins
On-chip oscillator or watchdog oscillator	No external reset (except during power up)	18
	External $\overline{\text{RST}}$ pin supported	17
External clock input	No external reset (except during power up)	17
	External $\overline{\text{RST}}$ pin supported	16
Low/medium/high speed oscillator (external crystal or resonator)	No external reset (except during power up)	16
	External $\overline{\text{RST}}$ pin supported	15

## 5.1 Port configurations

All but three I/O port pins on the P89LPC9201/9211/922A1/9241/9251 may be configured by software to one of four types on a pin-by-pin basis, as shown in [Table 31](#). These are: quasi-bidirectional (standard 80C51 port outputs), push-pull, open drain, and input-only. Two configuration registers for each port select the output type for each port pin.

P1.5 ( $\overline{\text{RST}}$ ) can only be an input and cannot be configured.

P1.2 (SCL/T0) and P1.3 (SDA/ $\overline{\text{INT0}}$ ) may only be configured to be either input-only or open drain.

**Table 31. Port output configuration settings**

PxM1.y	PxM2.y	Port output mode
0	0	Quasi-bidirectional
0	1	Push-pull
1	0	Input only (high-impedance)
1	1	Open drain

## 5.2 Quasi-bidirectional output configuration

Quasi-bidirectional outputs can be used both as an input and output without the need to reconfigure the port. This is possible because when the port outputs a logic high, it is weakly driven, allowing an external device to pull the pin low. When the pin is driven low, it is driven strongly and able to sink a large current. There are three pull-up transistors in the quasi-bidirectional output that serve different purposes.

One of these pull-ups, called the 'very weak' pull-up, is turned on whenever the port latch for the pin contains a logic 1. This very weak pull-up sources a very small current that will pull the pin high if it is left floating.

A second pull-up, called the 'weak' pull-up, is turned on when the port latch for the pin contains a logic 1 and the pin itself is also at a logic 1 level. This pull-up provides the primary source current for a quasi-bidirectional pin that is outputting a 1. If this pin is pulled low by an external device, the weak pull-up turns off, and only the very weak pull-up remains on. In order to pull the pin low under these conditions, the external device has to sink enough current to overpower the weak pull-up and pull the port pin below its input threshold voltage.

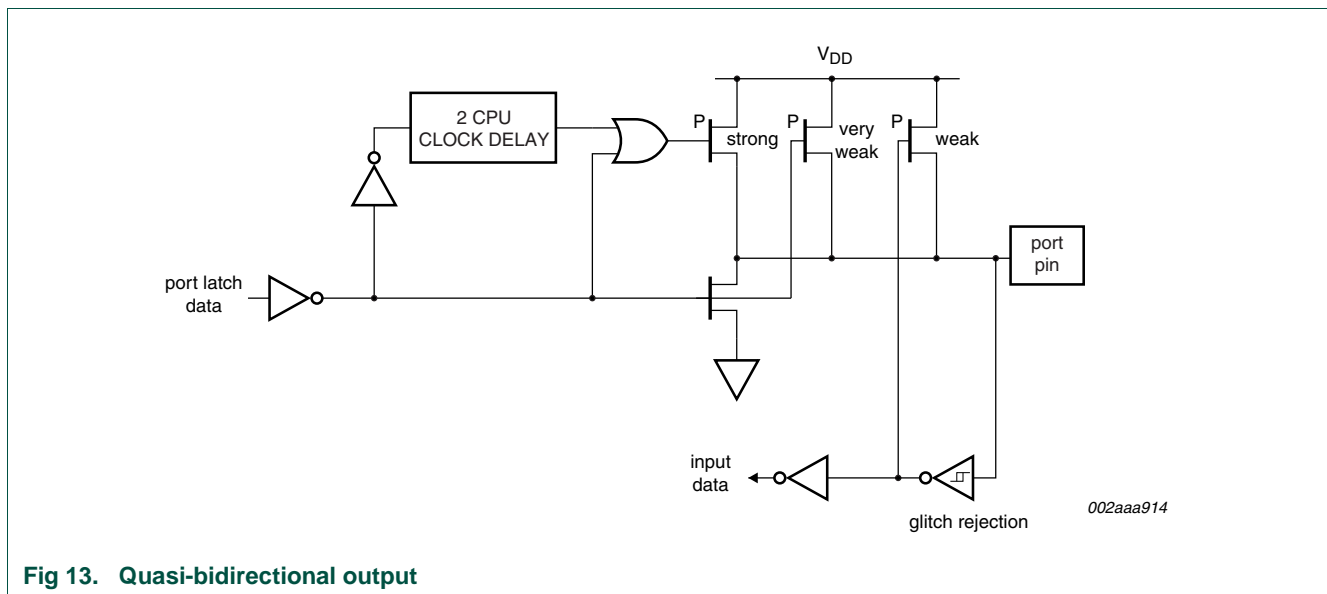
The third pull-up is referred to as the 'strong' pull-up. This pull-up is used to speed up low-to-high transitions on a quasi-bidirectional port pin when the port latch changes from a logic 0 to a logic 1. When this occurs, the strong pull-up turns on for two CPU clocks quickly pulling the port pin high.

The quasi-bidirectional port configuration is shown in [Figure 13](#).

Although the P89LPC9201/9211/922A1/9241/9251 is a 3 V device most of the pins are 5 V-tolerant. If 5 V is applied to a pin configured in quasi-bidirectional mode, there will be a current flowing from the pin to  $V_{DD}$  causing extra power consumption. Therefore, applying 5 V to pins configured in quasi-bidirectional mode is discouraged.

A quasi-bidirectional port pin has a Schmitt-triggered input that also has a glitch suppression circuit

(Please refer to the *P89LPC9201/9211/922A1/9241/9251 data sheet, Dynamic characteristics* for glitch filter specifications).



**Fig 13. Quasi-bidirectional output**

### 5.3 Open drain output configuration

The open drain output configuration turns off all pull-ups and only drives the pull-down transistor of the port pin when the port latch contains a logic 0. To be used as a logic output, a port configured in this manner must have an external pull-up, typically a resistor tied to  $V_{DD}$ . The pull-down for this mode is the same as for the quasi-bidirectional mode.

The open drain port configuration is shown in [Figure 14](#).

An open drain port pin has a Schmitt-triggered input that also has a glitch suppression circuit.

Please refer to the *P89LPC9201/9211/922A1/9241/9251 data sheet, Dynamic characteristics* for glitch filter specifications.

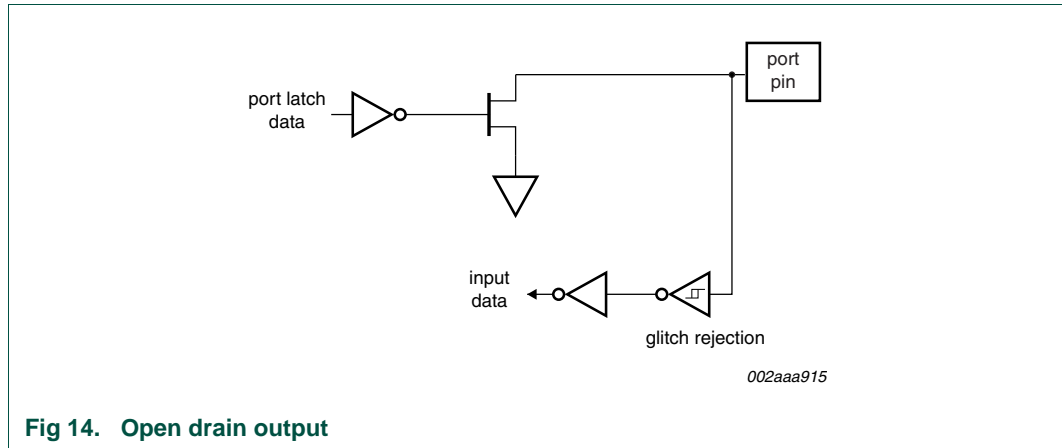


Fig 14. Open drain output

### 5.4 Input-only configuration

The input port configuration is shown in [Figure 15](#). It is a Schmitt-triggered input that also has a glitch suppression circuit.

(Please refer to the *P89LPC9201/9211/922A1/9241/9251 data sheet, Dynamic characteristics* for glitch filter specifications).

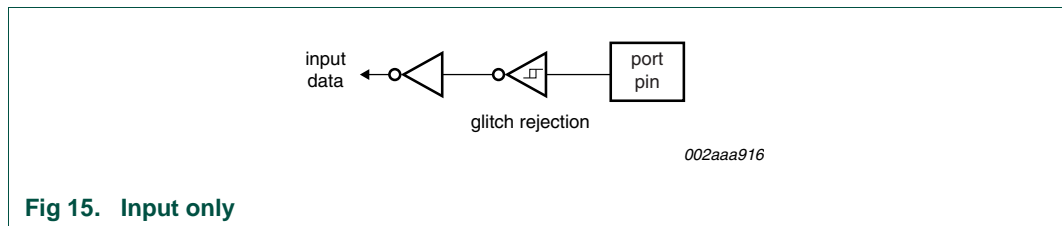


Fig 15. Input only

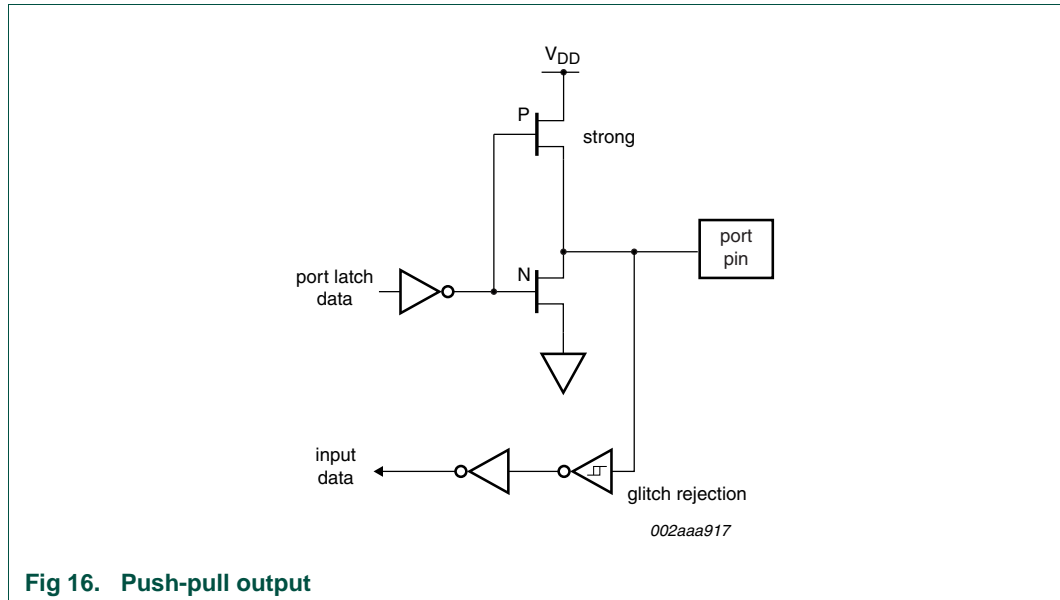
### 5.5 Push-pull output configuration

The push-pull output configuration has the same pull-down structure as both the open drain and the quasi-bidirectional output modes, but provides a continuous strong pull-up when the port latch contains a logic 1. The push-pull mode may be used when more source current is needed from a port output.

The push-pull port configuration is shown in [Figure 16](#).

A push-pull port pin has a Schmitt-triggered input that also has a glitch suppression circuit.

(Please refer to the *P89LPC9201/9211/922A1/9241/9251 data sheet, Dynamic characteristics* for glitch filter specifications).



## 5.6 Port 0 and Analog Comparator functions

The P89LPC9201/9211/922A1/9241/9251 incorporates two Analog Comparators. In order to give the best analog performance and minimize power consumption, pins that are being used for analog functions must have both the digital outputs and digital inputs disabled.

Digital outputs are disabled by putting the port pins into the input-only mode as described in the Port Configurations section (see [Figure 15](#)).

Digital inputs on Port 0 may be disabled through the use of the PT0AD register. Bits 1 through 5 in this register correspond to pins P0.1 through P0.5 of Port 0, respectively. Setting the corresponding bit in PT0AD disables that pin's digital input. Port bits that have their digital inputs disabled will be read as 0 by any instruction that accesses the port.

On any reset, PT0AD bits 1 through 5 default to logic 0s to enable the digital functions.

## 5.7 Additional port features

After power-up, all pins are in Input-Only mode. **Please note that this is different from the LPC76x series of devices.**

- After power-up, all I/O pins except P1.5, may be configured by software.
- Pin P1.5 is input only. Pins P1.2 and P1.3 are configurable for either input-only or open drain.

Every output on the P89LPC9201/9211/922A1/9241/9251 has been designed to sink typical LED drive current. However, there is a maximum total output current for all ports which must not be exceeded. Please refer to the *P89LPC9201/9211/922A1/9241/9251 data sheet* for detailed specifications.

All ports pins that can function as an output have slew rate controlled outputs to limit noise generated by quickly switching output signals. The slew rate is factory-set to approximately 10 ns rise and fall times.

Table 32. Port output configuration

Port pin	Configuration SFR bits		Alternate usage	Notes
	PxM1.y	PxM2.y		
P0.0	P0M1.0	P0M2.0	KBI0, CMP2	
P0.1	P0M1.1	P0M2.1	KBI1, CIN2B, AD10(P89LPC9241/9251)	Refer to <a href="#">Section 5.6 "Port 0 and Analog Comparator functions"</a> for usage as analog inputs.
P0.2	P0M1.2	P0M2.2	KBI2, CIN2A, AD11(P89LPC9241/9251)	
P0.3	P0M1.3	P0M2.3	KBI3, CIN1B, AD12(P89LPC9241/9251)	
P0.4	P0M1.4	P0M2.4	KBI4, CIN1A, AD13,DAC1(P89LPC9241/9251)	
P0.5	P0M1.5	P0M2.5	KBI5, CMPREF	
P0.6	P0M1.6	P0M2.6	KBI6, CMP1	
P0.7	P0M1.7	P0M2.7	KBI7, T1	
P1.0	P1M1.0	P1M2.0	TXD	
P1.1	P1M1.1	P1M2.1	RXD	
P1.2	P1M1.2	P1M2.2	T0, SCL	Input-only or open-drain
P1.3	P1M1.3	P1M2.3	$\overline{\text{INT0}}$ , SDA	input-only or open-drain
P1.4	P1M1.4	P1M2.4	$\overline{\text{INT1}}$	
P1.5	P1M1.5	P1M2.5	$\overline{\text{RST}}$	
P1.6	P1M1.6	P1M2.6		
P1.7	P1M1.7	P1M2.7		
P3.0	P3M1.0	P3M2.0	CLKOUT, XTAL2	
P3.1	P3M1.1	P3M2.1	XTAL1	

## 6. Power monitoring functions

The P89LPC9201/9211/922A1/9241/9251 incorporates power monitoring functions designed to prevent incorrect operation during initial power-on and power loss or reduction during operation. This is accomplished with two hardware functions: Power-on Detect and Brownout Detect.

### 6.1 Brownout detection

The brownout detect function determines if the power supply voltage drops below a certain level. Enhanced BOD has 3 independent functions: BOD reset, BOD interrupt and BOD FLASH.

BOD reset will cause a processor reset and it is always on, except in total power-down mode. It could not be disabled in software. BOD interrupt will generate an interrupt and could be enabled or disabled in software.

BOD reset and BOD interrupt, each has 4 trip voltage levels. BOE1 bit (UCFG1.5) and BOE0 bit (UCFG1.3) are used as trip point configuration bits of BOD reset. BOICFG1 bit and BOICFG0 bit in register BODCFG are used as trip point configuration bits of BOD interrupt. BOD reset voltage should be lower than BOD interrupt trip point. [Table 33](#) gives BOD trip points configuration.

In total power-down mode (PMOD1/PMOD0 = '11'), the circuitry for the Brownout Detection is disabled for lowest power consumption. When PMOD1/PMOD0 not equal to '11', BOD reset is always on and BOD interrupt is enabled by setting BOI (PCON.4) bit. Please refer [Table 34](#) for BOD reset and BOD interrupt configuration. BOF bit (RSTSRC.5), BOD reset flag is default as '0' and is set when BOD reset is tripped. BOIF bit (RSTSRC.6), BOD interrupt flag is default as '0' and is set when BOD interrupt is tripped.

BOD FLASH is used for flash program/erase protection. BOD FLASH is always on, except in power-down or total power down mode (PCON.1=1). It can not be disabled in software. BOD FLASH has only 1 trip voltage level of 2.4 V. When voltage supply is lower than 2.4 V, the BOD FLASH is tripped and flash program/erase is blocked.

If brownout detection is enabled the brownout condition occurs when  $V_{DD}$  falls below the brownout trip voltage and is negated when  $V_{DD}$  rises above the brownout trip voltage.

For correct activation of Brownout Detect, certain  $V_{DD}$  rise and fall times must be observed. Please see the data sheet for specifications.

**Table 33. BOD Trip points configuration**

BOE1 (UCFG1.5)	BOE0 (UCFG1.3)	BOICFG1 (BOICFG.1)	BOICFG0 (BOICFG.0)	BOD Reset	BOD Interrupt
0	0	0	0	Reserved	
0	0	0	1	Reserved	
0	0	1	0	Reserved	
0	0	1	1	Reserved	
0	1	0	0	Reserved	
0	1	0	1	2.2V	2.4V
0	1	1	0	2.2V	2.6V
0	1	1	1	2.2V	3.2V
1	0	0	0	Reserved	
1	0	0	1	Reserved	
1	0	1	0	2.4V	2.6V
1	0	1	1	2.4V	3.2V
1	1	0	0	Reserved	
1	1	0	1	Reserved	
1	1	1	0	Reserved	
1	1	1	1	3.0V	3.2V

Table 34. BOD Reset and BOD Interrupt configuration

PMOD1/PMOD0(PCON[1:0])	BOI (PCON.4)	EBO (IEN0.5)	EA (IEN0.7)	BOD Reset	BOD Interrupt
11 (total power-down)	X	X	X	N	N
≠ 11 (any mode other than total power down)	0	X	X	Y	N
	1	0	X	Y	N
		X	0	Y	N
		1	1	Y	Y

## 6.2 Power-on detection

The Power-On Detect has a function similar to the Brownout Detect, but is designed to work as power initially comes up, before the power supply voltage reaches a level where the Brownout Detect can function. The POF flag (RSTSRC.4) is set to indicate an initial power-on condition. The POF flag will remain set until cleared by software by writing a logic 0 to the bit. BOF (RSTSRC.5) will be set when POF is set.

## 6.3 Power reduction modes

The P89LPC9201/9211/922A1/9241/9251 supports three different power reduction modes as determined by SFR bits PCON[1:0] (see [Table 35](#)).



Table 35. Power reduction modes

PMOD1 (PCON.1)	PMOD0 (PCON.0)	Description
0	0	Normal mode (default) - no power reduction.
0	1	Idle mode. The Idle mode leaves peripherals running in order to allow them to activate the processor when an interrupt is generated. Any enabled interrupt source or reset may terminate Idle mode.
1	0	<p>Power-down mode:</p> <p>The Power-down mode stops the oscillator in order to minimize power consumption.</p> <p>The P89LPC9201/9211/922A1/9241/9251 exits Power-down mode via any reset, or certain interrupts - external pins INT0/INT1, brownout Interrupt, keyboard, Real-time Clock/System Timer), watchdog, and comparator trips. Waking up by reset is only enabled if the corresponding reset is enabled, and waking up by interrupt is only enabled if the corresponding interrupt is enabled and the EA SFR bit (IEN0.7) is set. External interrupts should be programmed to level-triggered mode to be used to exit Power-down mode.</p> <p>In Power-down mode the internal RC oscillator is disabled unless both the RC oscillator has been selected as the system clock AND the RTC is enabled.</p> <p>In Power-down mode, the power supply voltage may be reduced to the RAM keep-alive voltage VRAM. This retains the RAM contents at the point where Power-down mode was entered. SFR contents are not guaranteed after V<sub>DD</sub> has been lowered to VRAM, therefore it is recommended to wake-up the processor via Reset in this situation. V<sub>DD</sub> must be raised to within the operating range before the Power-down mode is exited.</p> <p>When the processor wakes up from Power-down mode, it will start the oscillator immediately and begin execution when the oscillator is stable. Oscillator stability is determined by counting 1024 CPU clocks after start-up when one of the crystal oscillator configurations is used, or 200ms to 300ms after start-up for the internal RC, or 32 OSCCLK cycles after start-up for external clock input.</p> <p>Some chip functions continue to operate and draw power during Power-down mode, increasing the total power used during power-down. These include:</p> <ul style="list-style-type: none"> <li>• Brownout Detect</li> <li>• Watchdog Timer if WDCLK (WDCON.0) is logic 1.</li> <li>• Comparators (Note: Comparators can be powered down separately with PCONA.5 set to logic 1 and comparators disabled);</li> <li>• Real-time Clock/System Timer (and the crystal oscillator circuitry if this block is using it, unless RTCPD, i.e., PCONA.7 is logic 1).</li> </ul>
1	1	<p>Total Power-down mode: This is the same as Power-down mode except that the Brownout Detection circuitry and the voltage comparators are also disabled to conserve additional power. Note that a brownout reset or interrupt will not occur. Voltage comparator interrupts and Brownout interrupt cannot be used as a wake-up source. The internal RC oscillator is disabled unless both the RC oscillator has been selected as the system clock AND the RTC is enabled.</p> <p>The following are the wake-up options supported:</p> <ul style="list-style-type: none"> <li>• Watchdog Timer if WDCLK (WDCON.0) is logic 1. Could generate Interrupt or Reset, either one can wake up the device</li> <li>• External interrupts <math>\overline{\text{INT0}}/\overline{\text{INT1}}</math> (when programmed to level-triggered mode).</li> <li>• Keyboard Interrupt</li> <li>• Real-time Clock/System Timer (and the crystal oscillator circuitry if this block is using it, unless RTCPD, i.e., PCONA.7 is logic 1).</li> </ul> <p>Note: Using the internal RC-oscillator to clock the RTC during power-down may result in relatively high power consumption. Lower power consumption can be achieved by using an external low frequency clock when the Real-time Clock or watchdog timer is running during power-down.</p>

**Table 36. Power Control register (PCON - address 87h) bit allocation**

Bit	7	6	5	4	3	2	1	0
Symbol	SMOD1	SMOD0	-	BOI	GF1	GF0	PMOD1	PMOD0
Reset	0	0	-	0	0	0	0	0

**Table 37. Power Control register (PCON - address 87h) bit description**

Bit	Symbol	Description
0	PMOD0	Power Reduction Mode (see <a href="#">Section 6.3 "Power reduction modes"</a> )
1	PMOD1	
2	GF0	General Purpose Flag 0. May be read or written by user software, but has no effect on operation
3	GF1	General Purpose Flag 1. May be read or written by user software, but has no effect on operation
4	BOI	Brownout Detect Interrupt Enable. When logic 1, Brownout Detection will generate a interrupt.
5	-	Reserved.
6	SMOD0	Framing Error Location: <ul style="list-style-type: none"> <li>When logic 0, bit 7 of SCON is accessed as SM0 for the UART.</li> <li>When logic 1, bit 7 of SCON is accessed as the framing error status (FE) for the UART</li> </ul>
7	SMOD1	Double Baud Rate bit for the serial port (UART) when Timer 1 is used as the baud rate source. When logic 1, the Timer 1 overflow rate is supplied to the UART. When logic 0, the Timer 1 overflow rate is divided by two before being supplied to the UART. (See <a href="#">Section 10 "UART"</a> )

**Table 38. Power Control register A (PCONA - address B5h) bit allocation**

Bit	7	6	5	4	3	2	1	0
Symbol	RTCPD	-	VCPD	ADPD	I2PD	-	SPD	-
Reset	0	0	0	0	0	0	0	0

**Table 39. Power Control register A (PCONA - address B5h) bit description**

Bit	Symbol	Description
0	-	reserved
1	SPD	Serial Port (UART) power-down: When logic 1, the internal clock to the UART is disabled. Note that in either Power-down mode or Total Power-down mode, the UART clock will be disabled regardless of this bit.
2	-	reserved
3	I2PD	I <sup>2</sup> C power-down: When logic 1, the internal clock to the I <sup>2</sup> C-bus is disabled. Note that in either Power-down mode or Total Power-down mode, the I <sup>2</sup> C clock will be disabled regardless of this bit.
4	ADPD (P89LPC9241/9251)	A/D Converter Power down: When '1', turns off the clock to the ADC. To fully power-down the ADC, the user should also set the ENADC1 and ENADC0 bits in registers ADCON1 and ADCON0.

Table 39. Power Control register A (PCONA - address B5h) bit description ...continued

Bit	Symbol	Description
5	VCPD	Analog Voltage Comparators power-down: When logic 1, the voltage comparators are powered down. User must disable the voltage comparators prior to setting this bit.
6	-	reserved
7	RTCPD	Real-time Clock power-down: When logic 1, the internal clock to the Real-time Clock is disabled.

## 7. Reset

The P1.5/ $\overline{\text{RST}}$  pin can function as either an active low reset input or as a digital input, P1.5. The RPE (Reset Pin Enable) bit in UCFG1, when set to 1, enables the external reset input function on P1.5. When cleared, P1.5 may be used as an input pin.

**Remark:** During a power-on sequence, The RPE selection is overridden and this pin will always functions as a reset input. An external circuit connected to this pin should not hold this pin low during a Power-on sequence as this will keep the device in reset. After power-on this input will function either as an external reset input or as a digital input as defined by the RPE bit. Only a power-on reset will temporarily override the selection defined by RPE bit. Other sources of reset will not override the RPE bit.

**Note:** During a power cycle,  $V_{DD}$  must fall below  $V_{POR}$  (see *P89LPC9201/9211/922A1/9241/9251 data sheet, Static characteristics*) before power is reapplied, in order to ensure a power-on reset.

Reset can be triggered from the following sources:

- External reset pin (during power-on or if user configured via UCFG1);
- Power-on detect;
- Brownout detect;
- Watchdog timer;
- Software reset;
- UART break character detect reset.

For every reset source, there is a flag in the Reset Register, RSTSRC. The user can read this register to determine the most recent reset source. These flag bits can be cleared in software by writing a '0' to the corresponding bit. More than one flag bit may be set:

- During a power-on reset, both POF and BOF are set but the other flag bits are cleared.
- A watchdog reset is similar to a power-on reset, both POF and BOF are set but the other flag bits are cleared.
- For any other reset, previously set flag bits that have not been cleared will remain set.

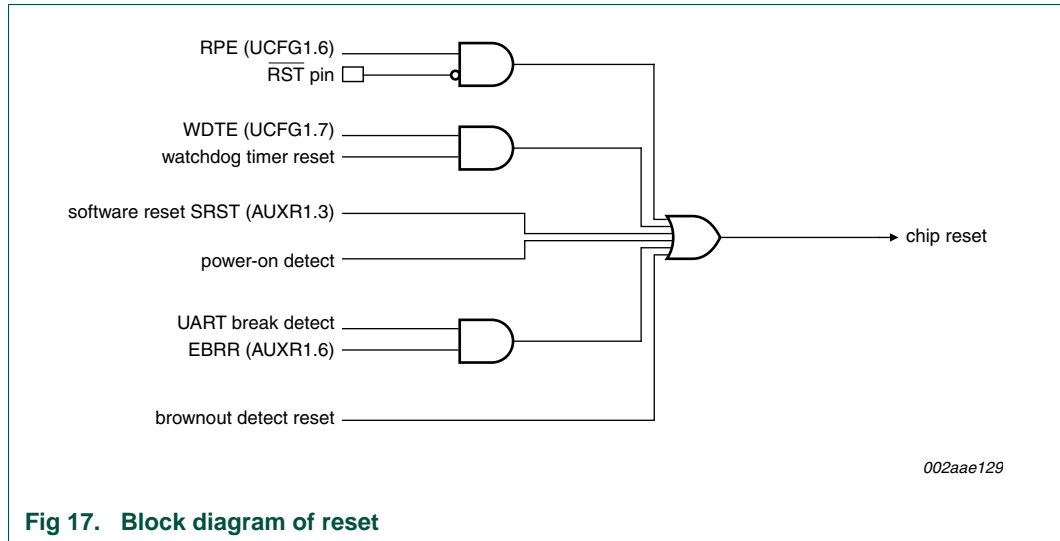


Fig 17. Block diagram of reset

Table 40. Reset Sources register (RSTSRC - address DFh) bit allocation

Bit	7	6	5	4	3	2	1	0
Symbol	-	BOIF	BOF	POF	R_BK	R_WD	R_SF	R_EX
Reset <sup>[1]</sup>	x	0	1	1	0	0	0	0

[1] The value shown is for a power-on reset. Other reset sources will set their corresponding bits.

Table 41. Reset Sources register (RSTSRC - address DFh) bit description

Bit	Symbol	Description
0	R_EX	external reset Flag. When this bit is logic 1, it indicates external pin reset. Cleared by software by writing a logic 0 to the bit or a Power-on reset. If RST is still asserted after the Power-on reset is over, R_EX will be set.
1	R_SF	software reset Flag. Cleared by software by writing a logic 0 to the bit or a Power-on reset
2	R_WD	Watchdog Timer reset flag. Cleared by software by writing a logic 0 to the bit or a Power-on reset.(NOTE: UCFG1.7 must be = 1)
3	R_BK	break detect reset. If a break detect occurs and EBRR (AUXR1.6) is set to logic 1, a system reset will occur. This bit is set to indicate that the system reset is caused by a break detect. Cleared by software by writing a logic 0 to the bit or on a Power-on reset.
4	POF	Power-on Detect Flag. When Power-on Detect is activated, the POF flag is set to indicate an initial power-up condition. The POF flag will remain set until cleared by software by writing a logic 0 to the bit. (Note: On a Power-on reset, both BOF and this bit will be set while the other flag bits are cleared.)
5	BOF	BOD Reset Flag. When BOD Reset is activated, this bit is set. It will remain set until cleared by software by writing a logic 0 to the bit. (Note: On a Power-on reset, both POF and this bit will be set while the other flag bits are cleared.)
6	BOIF	BOD Interrupt Flag. When BOD Interrupt is activated, this bit is set. It will remain set until cleared by software by writing a logic 0 to the bit.
7	-	reserved

### 7.1 Reset vector

Following reset, the P89LPC9201/9211/922A1/9241/9251 will fetch instructions from either address 0000h or the Boot address. The Boot address is formed by using the Boot Vector as the high byte of the address and the low byte of the address = 00h. The Boot

address will be used if a UART break reset occurs or the non-volatile Boot Status bit (BOOTSTAT.0) = 1, or the device has been forced into ISP mode. Otherwise, instructions will be fetched from address 0000H.

## 8. Timers 0 and 1

The P89LPC9201/9211/922A1/9241/9251 has two general-purpose counter/timers which are upward compatible with the 80C51 Timer 0 and Timer 1. Both can be configured to operate either as timers or event counters (see [Table 43](#)). An option to automatically toggle the Tx pin upon timer overflow has been added.

In the 'Timer' function, the timer is incremented every PCLK.

In the 'Counter' function, the register is incremented in response to a 1-to-0 transition on its corresponding external input pin (T0 or T1). The external input is sampled once during every machine cycle. When the pin is high during one cycle and low in the next cycle, the count is incremented. The new count value appears in the register during the cycle following the one in which the transition was detected. Since it takes two machine cycles (four CPU clocks) to recognize a 1-to-0 transition, the maximum count rate is 1/4 of the CPU clock frequency. There are no restrictions on the duty cycle of the external input signal, but to ensure that a given level is sampled at least once before it changes, it should be held for at least one full machine cycle.

The 'Timer' or 'Counter' function is selected by control bits TnC/T̄ (x = 0 and 1 for Timers 0 and 1 respectively) in the Special Function Register TMOD. Timer 0 and Timer 1 have five operating modes (modes 0, 1, 2, 3 and 6), which are selected by bit-pairs (TnM1, TnM0) in TMOD and TnM2 in TAMOD. Modes 0, 1, 2 and 6 are the same for both Timers/Counters. Mode 3 is different. The operating modes are described later in this section.

**Table 42. Timer/Counter Mode register (TMOD - address 89h) bit allocation**

Bit	7	6	5	4	3	2	1	0
Symbol	T1GATE	T1C/T̄	T1M1	T1M0	T0GATE	T0C/T̄	T0M1	T0M0
Reset	0	0	0	0	0	0	0	0

**Table 43. Timer/Counter Mode register (TMOD - address 89h) bit description**

Bit	Symbol	Description
0	T0M0	Mode Select for Timer 0. These bits are used with the T0M2 bit in the TAMOD register to determine the Timer 0 mode (see <a href="#">Table 45</a> ).
1	T0M1	
2	T0C/T̄	Timer or Counter selector for Timer 0. Cleared for Timer operation (input from CCLK). Set for Counter operation (input from T0 input pin).
3	T0GATE	Gating control for Timer 0. When set, Timer/Counter is enabled only while the INT0 pin is high and the TR0 control pin is set. When cleared, Timer 0 is enabled when the TR0 control bit is set.
4	T1M0	Mode Select for Timer 1. These bits are used with the T1M2 bit in the TAMOD register to determine the Timer 1 mode (see <a href="#">Table 45</a> ).
5	T1M1	
6	T1C/T̄	Timer or Counter Selector for Timer 1. Cleared for Timer operation (input from CCLK). Set for Counter operation (input from T1 input pin).
7	T1GATE	Gating control for Timer 1. When set, Timer/Counter is enabled only while the INT1 pin is high and the TR1 control pin is set. When cleared, Timer 1 is enabled when the TR1 control bit is set.

**Table 44. Timer/Counter Auxiliary Mode register (TAMOD - address 8Fh) bit allocation**

Bit	7	6	5	4	3	2	1	0
Symbol	--	-	-	T1M2	-	-	-	T0M2
Reset	x	x	x	0	x	x	x	0

**Table 45. Timer/Counter Auxiliary Mode register (TAMOD - address 8Fh) bit description**

Bit	Symbol	Description
0	T0M2	Mode Select for Timer 0. These bits are used with the T0M2 bit in the TAMOD register to determine the Timer 0 mode (see <a href="#">Table 45</a> ).
1:3	-	reserved
4	T1M2	Mode Select for Timer 1. These bits are used with the T1M2 bit in the TAMOD register to determine the Timer 1 mode (see <a href="#">Table 45</a> ).  The following timer modes are selected by timer mode bits TnM[2:0]: <b>000</b> — 8048 Timer 'TLn' serves as 5-bit prescaler. (Mode 0) <b>001</b> — 16-bit Timer/Counter 'THn' and 'TLn' are cascaded; there is no prescaler.(Mode 1) <b>010</b> — 8-bit auto-reload Timer/Counter. THn holds a value which is loaded into TLn when it overflows. (Mode 2) <b>011</b> — Timer 0 is a dual 8-bit Timer/Counter in this mode. TL0 is an 8-bit Timer/Counter controlled by the standard Timer 0 control bits. TH0 is an 8-bit timer only, controlled by the Timer 1 control bits (see text). Timer 1 in this mode is stopped. (Mode 3) <b>100</b> — Reserved. User must not configure to this mode. <b>101</b> — Reserved. User must not configure to this mode. <b>110</b> — PWM mode (see <a href="#">Section 8.5</a> ). <b>111</b> — Reserved. User must not configure to this mode.
5:7	-	reserved

## 8.1 Mode 0

Putting either Timer into Mode 0 makes it look like an 8048 Timer, which is an 8-bit Counter with a divide-by-32 prescaler. [Figure 18](#) shows Mode 0 operation.

In this mode, the Timer register is configured as a 13-bit register. As the count rolls over from all 1s to all 0s, it sets the Timer interrupt flag  $\overline{TFn}$ . The count input is enabled to the Timer when  $TRn = 1$  and either  $TnGATE = 0$  or  $INTn = 1$ . (Setting  $TnGATE = 1$  allows the Timer to be controlled by external input  $INTn$ , to facilitate pulse width measurements).  $TRn$  is a control bit in the Special Function Register TCON ([Table 47](#)). The  $TnGATE$  bit is in the TMOD register.

The 13-bit register consists of all 8 bits of  $THn$  and the lower 5 bits of  $TLn$ . The upper 3 bits of  $TLn$  are indeterminate and should be ignored. Setting the run flag ( $TRn$ ) does not clear the registers.

Mode 0 operation is the same for Timer 0 and Timer 1. See [Figure 18](#). There are two different GATE bits, one for Timer 1 (TMOD.7) and one for Timer 0 (TMOD.3).

## 8.2 Mode 1

Mode 1 is the same as Mode 0, except that all 16 bits of the timer register ( $THn$  and  $TLn$ ) are used. See [Figure 19](#).

### 8.3 Mode 2

Mode 2 configures the Timer register as an 8-bit Counter (TLn) with automatic reload, as shown in [Figure 20](#). Overflow from TLn not only sets TFn, but also reloads TLn with the contents of THn, which must be preset by software. The reload leaves THn unchanged. Mode 2 operation is the same for Timer 0 and Timer 1.

### 8.4 Mode 3

When Timer 1 is in Mode 3 it is stopped. The effect is the same as setting TR1 = 0.

Timer 0 in Mode 3 establishes TL0 and TH0 as two separate 8-bit counters. The logic for Mode 3 on Timer 0 is shown in [Figure 21](#). TL0 uses the Timer 0 control bits: T0C/T, T0GATE, TR0, INT0, and TF0. TH0 is locked into a timer function (counting machine cycles) and takes over the use of TR1 and TF1 from Timer 1. Thus, TH0 now controls the 'Timer 1' interrupt.

Mode 3 is provided for applications that require an extra 8-bit timer. With Timer 0 in Mode 3, an P89LPC9201/9211/922A1/9241/9251 device can look like it has three Timer/Counters.

Note: When Timer 0 is in Mode 3, Timer 1 can be turned on and off by switching it into and out of its own Mode 3. It can still be used by the serial port as a baud rate generator, or in any application not requiring an interrupt.

### 8.5 Mode 6

In this mode, the corresponding timer can be changed to a PWM with a full period of 256 timer clocks (see [Figure 22](#)). Its structure is similar to mode 2, except that:

- TFn (n = 0 and 1 for Timers 0 and 1 respectively) is set and cleared in hardware;
- The low period of the TFn is in THn, and should be between 1 and 254, and;
- The high period of the TFn is always 256 – THn.
- Loading THn with 00h will force the Tx pin high, loading THn with FFh will force the Tx pin low.

Note that interrupt can still be enabled on the low to high transition of TFn, and that TFn can still be cleared in software like in any other modes.

**Table 46. Timer/Counter Control register (TCON) - address 88h) bit allocation**

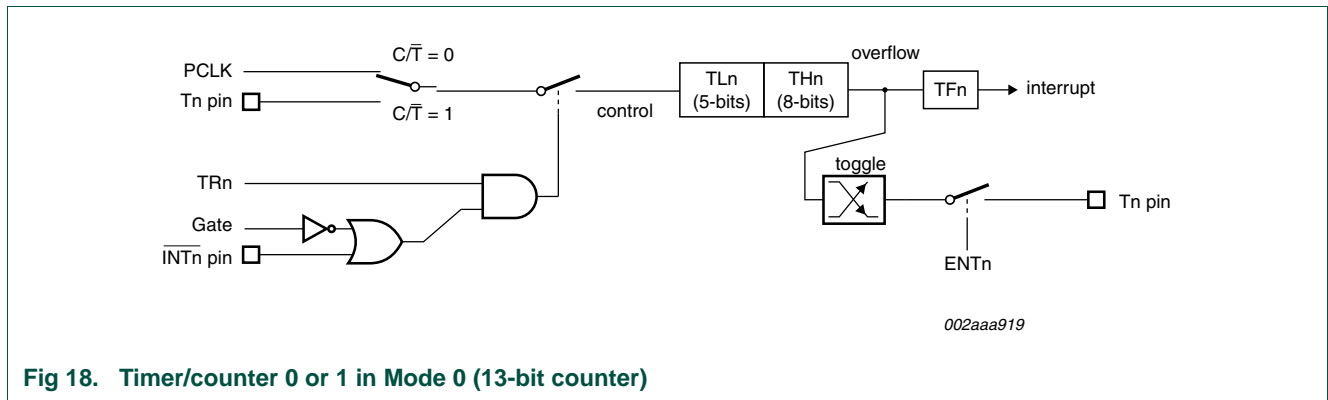
Bit	7	6	5	4	3	2	1	0
Symbol	TF1	TR1	TF0	TR0	IE1	IT1	IE0	IT0
Reset	0	0	0	0	0	0	0	0

**Table 47. Timer/Counter Control register (TCON - address 88h) bit description**

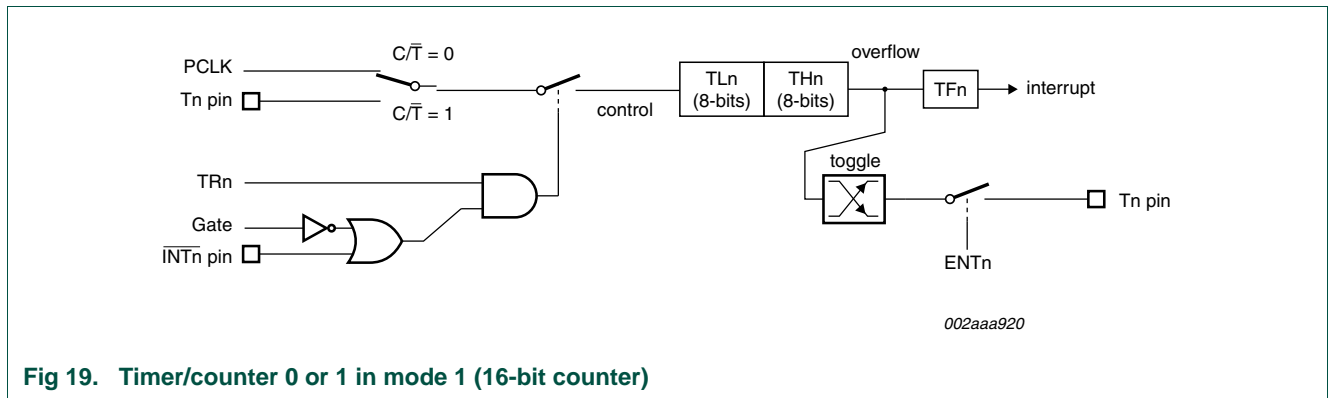
Bit	Symbol	Description
0	IT0	Interrupt 0 Type control bit. Set/cleared by software to specify falling edge/low level triggered external interrupts.
1	IE0	Interrupt 0 Edge flag. Set by hardware when external interrupt 0 edge is detected. Cleared by hardware when the interrupt is processed, or by software.
2	IT1	Interrupt 1 Type control bit. Set/cleared by software to specify falling edge/low level triggered external interrupts.

**Table 47. Timer/Counter Control register (TCON - address 88h) bit description ...continued**

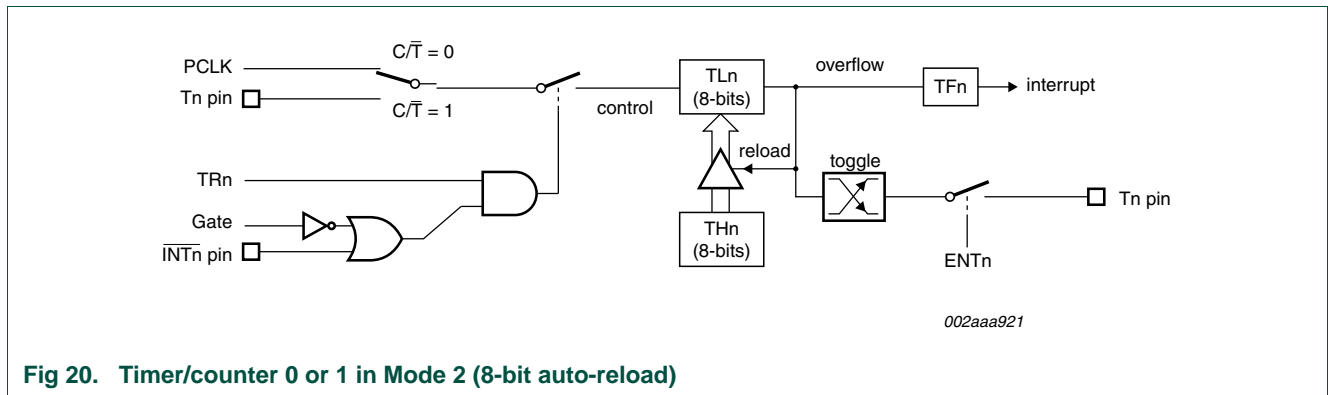
Bit	Symbol	Description
3	IE1	Interrupt 1 Edge flag. Set by hardware when external interrupt 1 edge is detected. Cleared by hardware when the interrupt is processed, or by software.
4	TR0	Timer 0 Run control bit. Set/cleared by software to turn Timer/Counter 0 on/off.
5	TF0	Timer 0 overflow flag. Set by hardware on Timer/Counter overflow. Cleared by hardware when the processor vectors to the interrupt routine, or by software. (except in mode 6, where it is cleared in hardware)
6	TR1	Timer 1 Run control bit. Set/cleared by software to turn Timer/Counter 1 on/off
7	TF1	Timer 1 overflow flag. Set by hardware on Timer/Counter overflow. Cleared by hardware when the interrupt is processed, or by software (except in mode 6, see above, when it is cleared in hardware).



**Fig 18. Timer/counter 0 or 1 in Mode 0 (13-bit counter)**



**Fig 19. Timer/counter 0 or 1 in mode 1 (16-bit counter)**



**Fig 20. Timer/counter 0 or 1 in Mode 2 (8-bit auto-reload)**



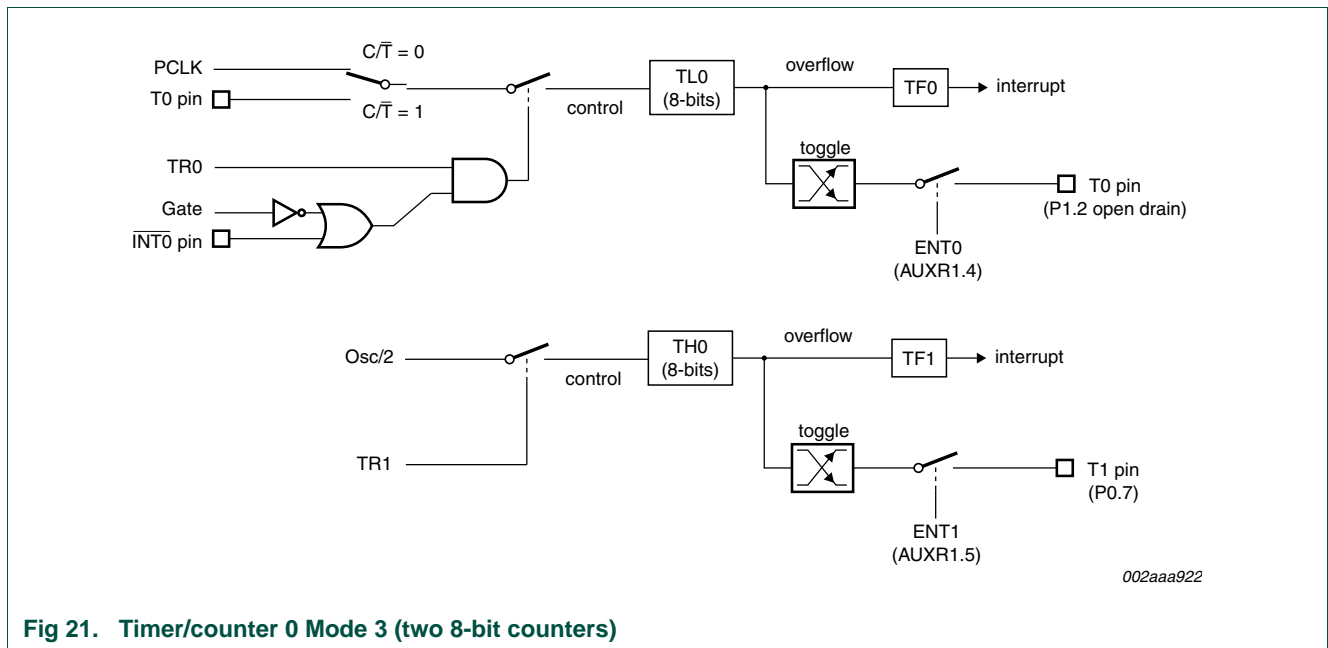


Fig 21. Timer/counter 0 Mode 3 (two 8-bit counters)

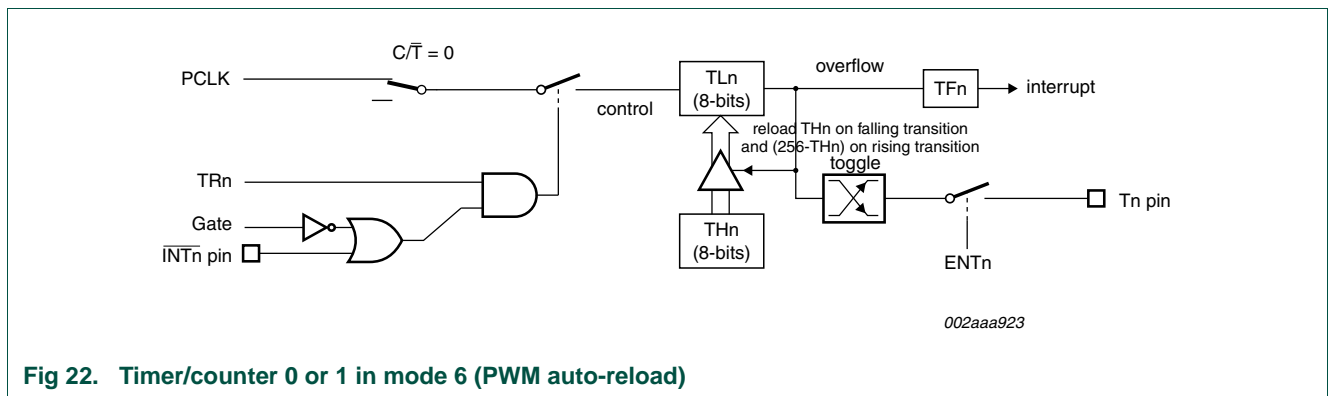


Fig 22. Timer/counter 0 or 1 in mode 6 (PWM auto-reload)

### 8.6 Timer overflow toggle output

Timers 0 and 1 can be configured to automatically toggle a port output whenever a timer overflow occurs. The same device pins that are used for the T0 and T1 count inputs and PWM outputs are also used for the timer toggle outputs. This function is enabled by control bits ENT0 and ENT1 in the AUXR1 register, and apply to Timer 0 and Timer 1 respectively. The port outputs will be a logic 1 prior to the first timer overflow when this mode is turned on. In order for this mode to function, the C/T bit must be cleared selecting PCLK as the clock source for the timer.

## 9. Real-time clock system timer

The P89LPC9201/9211/922A1/9241/9251 has a simple Real-time Clock/System Timer that allows a user to continue running an accurate timer while the rest of the device is powered down. The Real-time Clock can be an interrupt or a wake-up source (see [Figure 23](#)).

The Real-time Clock is a 23-bit down counter. The clock source for this counter can be either the CPU clock (CCLK) or the XTAL1-2 oscillator. There are five SFRs used for the RTC:

**RTCCON** — Real-time Clock control.

**RTCH** — Real-time Clock counter reload high (bits 22 to 15).

**RTCL** — Real-time Clock counter reload low (bits 14 to 7).

**RTCDATH** — Real-time clock data register high.

**RTCDATL** — Real-time Clock data register low.

The Real-time clock system timer can be enabled by setting the RTCEN (RTCCON.0) bit. The Real-time Clock is a 23-bit down counter (initialized to all 0's when RTCEN = 0) that is comprised of a 7-bit prescaler and a 16-bit loadable down counter. When RTCEN is written with logic 1, the counter is first loaded with (RTCH, RTCL, '111111') and will count down. When it reaches all 0's, the counter will be reloaded again with (RTCH, RTCL, '111111') and a flag - RTCF (RTCCON.7) - will be set.

The 16-bit counter portion of the RTC is readable by reading the RTCDATH and RTCDATL registers.

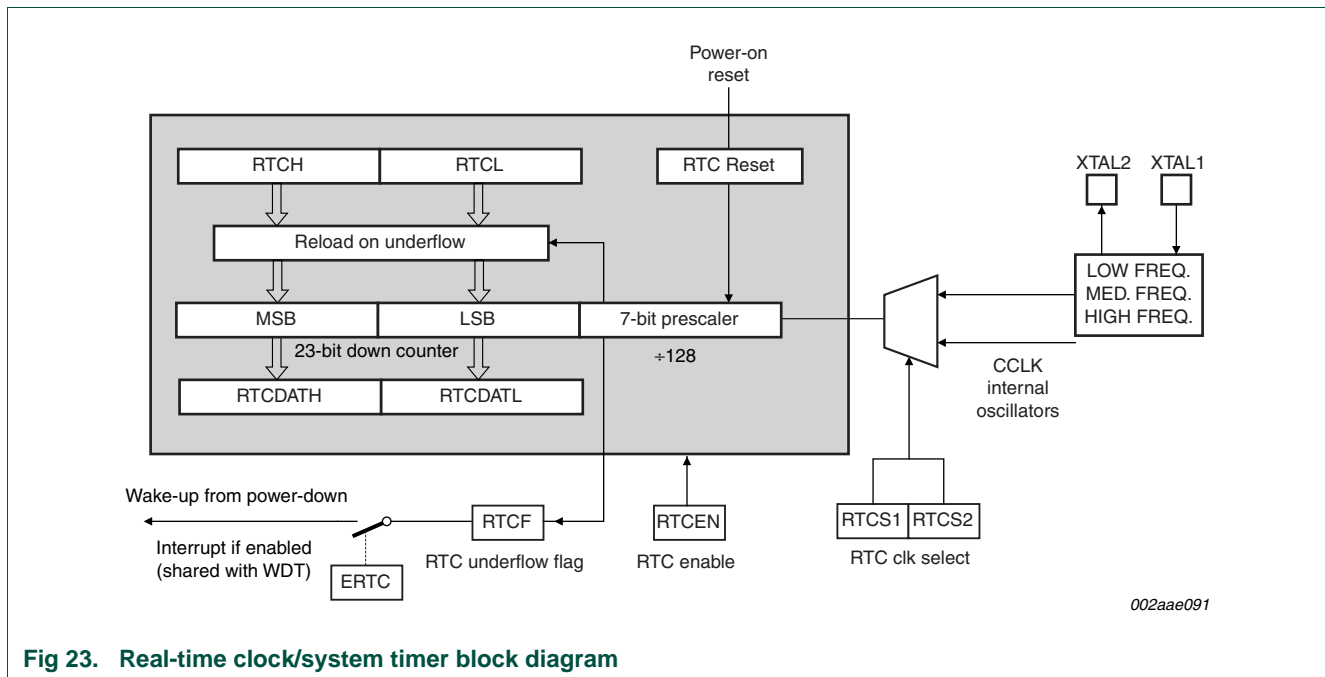


Fig 23. Real-time clock/system timer block diagram

### 9.1 Real-time clock source

RTCS1/RTCS0 (RTCCON[6:5]) are used to select the clock source for the RTC if either the Internal RC oscillator or the internal WD oscillator is used as the CPU clock. If the internal crystal oscillator or the external clock input on XTAL1 is used as the CPU clock, then the RTC will use CCLK as its clock source.

## 9.2 Changing RTCS1/RTCS0

RTCS1/RTCS0 cannot be changed if the RTC is currently enabled (RTCCON.0 = 1). Setting RTCEN and updating RTCS1/RTCS0 may be done in a single write to RTCCON. However, if RTCEN = 1, this bit must first be cleared before updating RTCS1/RTCS0.

## 9.3 Real-time clock interrupt/wake-up

If ERTC (RTCCON.1), EWDRT (IEN1.0.6) and EA (IEN0.7) are set to logic 1, RTCF can be used as an interrupt source. This interrupt vector is shared with the watchdog timer. It can also be a source to wake-up the device.

### 9.3.1 Real-time clock read back

Users can read RTCDATH and RTCDATL registers and get the 16-bit counter portion of the RTC.

## 9.4 Reset sources affecting the Real-time clock

Only power-on reset and watchdog reset will reset the Real-time Clock and its associated SFRs to their default state.

**Table 48. Real-time Clock/System Timer clock sources**

FOSC2:0	RCCLK	RTCS1:0	RTC clock source	CPU clock source
000	0	00	High frequency crystal	High frequency crystal /DIVM
		01		
		10		
		11		
	1	00	High frequency crystal	Internal RC oscillator
		01		
		10		
		11		
001	0	00	Medium frequency crystal	Medium frequency crystal /DIVM
		01		
		10		
		11		
	1	00	Medium frequency crystal	Internal RC oscillator
		01		
		10		
		11		

**Table 48. Real-time Clock/System Timer clock sources ...continued**

FOSC2:0	RCCLK	RTCS1:0	RTC clock source	CPU clock source
010	0	00	Low frequency crystal	Low frequency crystal /DIVM
		01		
		10		
		11		
	1	00	Low frequency crystal	Internal RC oscillator
		01		
		10		
		11		
011	0	00	High frequency crystal	Internal RC oscillator /DIVM
		01		
		10		
		11		
	1	00	High frequency crystal	Internal RC oscillator
		01		
		10		
		11		
100	0	00	High frequency crystal	Watchdog oscillator /DIVM
		01		
		10		
		11		
	1	00	High frequency crystal	Internal RC oscillator
		01		
		10		
		11		
101	x	xx	undefined	undefined
110	x	xx	undefined	undefined
111	0	00	External clock input	External clock input /DIVM
		01		
		10		
		11		
	1	00	External clock input	Internal RC oscillator
		01		
		10		
		11		

**Table 49. Real-time Clock Control register (RTCCON - address D1h) bit allocation**

Bit	7	6	5	4	3	2	1	0
Symbol	RTCF	RTCS1	RTCS0	-	-	-	ERTC	RTCEN
Reset	0	1	1	x	x	x	0	0

**Table 50. Real-time Clock Control register (RTCCON - address D1h) bit description**

Bit	Symbol	Description
0	RTCEN	Real-time Clock enable. The Real-time Clock will be enabled if this bit is logic 1. Note that this bit will not power-down the Real-time Clock. The RTCPD bit (PCONA.7) if set, will power-down and disable this block regardless of RTCEN.
1	ERTC	Real-time Clock interrupt enable. The Real-time Clock shares the same interrupt as the watchdog timer. Note that if the user configuration bit WDTE (UCFG1.7) is logic 0, the watchdog timer can be enabled to generate an interrupt. Users can read the RTCF (RTCCON.7) bit to determine whether the Real-time Clock caused the interrupt.
2:4	-	reserved
5	RTCS0	Real-time Clock source select (see <a href="#">Table 48</a> ).
6	RTCS1	
7	RTCF	Real-time Clock Flag. This bit is set to logic 1 when the 23-bit Real-time Clock reaches a count of logic 0. It can be cleared in software.

## 10. UART

The P89LPC9201/9211/922A1/9241/9251 has an enhanced UART that is compatible with the conventional 80C51 UART except that Timer 2 overflow cannot be used as a baud rate source. The P89LPC9201/9211/922A1/9241/9251 does include an independent Baud Rate Generator. The baud rate can be selected from the oscillator (divided by a constant), Timer 1 overflow, or the independent Baud Rate Generator. In addition to the baud rate generation, enhancements over the standard 80C51 UART include Framing Error detection, break detect, automatic address recognition, selectable double buffering and several interrupt options.

The UART can be operated in 4 modes, as described in the following sections.

### 10.1 Mode 0

Serial data enters and exits through RXD. TXD outputs the shift clock. 8 bits are transmitted or received, LSB first. The baud rate is fixed at  $\frac{1}{16}$  of the CPU clock frequency.

### 10.2 Mode 1

10 bits are transmitted (through TXD) or received (through RXD): a start bit (logic 0), 8 data bits (LSB first), and a stop bit (logic 1). When data is received, the stop bit is stored in RB8 in Special Function Register SCON. The baud rate is variable and is determined by the Timer 1 overflow rate or the Baud Rate Generator (see [Section 10.6 "Baud Rate generator and selection"](#)).

### 10.3 Mode 2

11 bits are transmitted (through TXD) or received (through RXD): start bit (logic 0), 8 data bits (LSB first), a programmable 9th data bit, and a stop bit (logic 1). When data is transmitted, the 9th data bit (TB8 in SCON) can be assigned the value of 0 or 1. Or, for example, the parity bit (P, in the PSW) could be moved into TB8. When data is received,

the 9th data bit goes into RB8 in Special Function Register SCON and the stop bit is not saved. The baud rate is programmable to either  $\frac{1}{16}$  or  $\frac{1}{32}$  of the CCLK frequency, as determined by the SMOD1 bit in PCON.

### 10.4 Mode 3

11 bits are transmitted (through TXD) or received (through RXD): a start bit (logic 0), 8 data bits (LSB first), a programmable 9th data bit, and a stop bit (logic 1). Mode 3 is the same as Mode 2 in all respects except baud rate. The baud rate in Mode 3 is variable and is determined by the Timer 1 overflow rate or the Baud Rate Generator (see [Section 10.6 “Baud Rate generator and selection”](#)).

In all four modes, transmission is initiated by any instruction that uses SBUF as a destination register. Reception is initiated in Mode 0 by the condition RI = 0 and REN = 1. Reception is initiated in the other modes by the incoming start bit if REN = 1.

### 10.5 SFR space

The UART SFRs are at the following locations:

**Table 51. UART SFR addresses**

Register	Description	SFR location
PCON	Power Control	87H
SCON	Serial Port (UART) Control	98H
SBUF	Serial Port (UART) Data Buffer	99H
SADDR	Serial Port (UART) Address	A9H
SADEN	Serial Port (UART) Address Enable	B9H
SSTAT	Serial Port (UART) Status	BAH
BRGR1	Baud Rate Generator Rate High Byte	BFH
BRGR0	Baud Rate Generator Rate Low Byte	BEH
BRGCON	Baud Rate Generator Control	BDH

### 10.6 Baud Rate generator and selection

The P89LPC9201/9211/922A1/9241/9251 enhanced UART has an independent Baud Rate Generator. The baud rate is determined by a value programmed into the BRGR1 and BRGR0 SFRs. The UART can use either Timer 1 or the baud rate generator output as determined by BRGCON[2:1] (see [Figure 24](#)). Note that Timer T1 is further divided by 2 if the SMOD1 bit (PCON.7) is set. The independent Baud Rate Generator uses CCLK.

### 10.7 Updating the BRGR1 and BRGR0 SFRs

The baud rate SFRs, BRGR1 and BRGR0 must only be loaded when the Baud Rate Generator is disabled (the BRGEN bit in the BRGCON register is logic 0). This avoids the loading of an interim value to the baud rate generator. **(CAUTION: If either BRGR0 or BRGR1 is written when BRGEN = 1, the result is unpredictable.)**

**Table 52. UART baud rate generation**

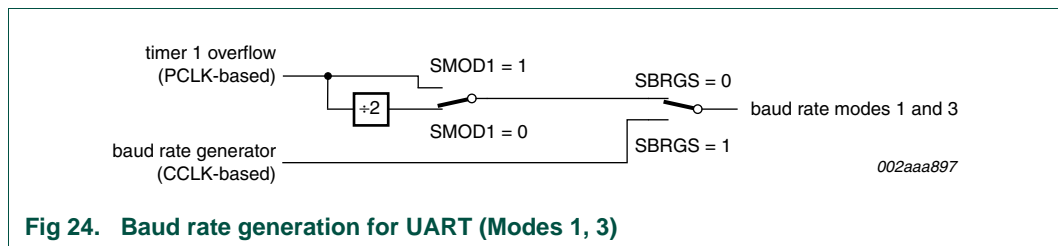
SCON.7 (SM0)	SCON.6 (SM1)	PCON.7 (SMOD1)	BRGCON.1 (SBRGS)	Receive/transmit baud rate for UART
0	0	X	X	$CCLK/16$
0	1	0	0	$CCLK/(256-TH1)64$
		1	0	$CCLK/(256-TH1)32$
		X	1	$CCLK/((BRGR1, BRGR0)+16)$
1	0	0	X	$CCLK/32$
		1	X	$CCLK/16$
1	1	0	0	$CCLK/(256-TH1)64$
		1	0	$CCLK/(256-TH1)32$
		X	1	$CCLK/((BRGR1, BRGR0)+16)$

**Table 53. Baud Rate Generator Control register (BRGCON - address BDh) bit allocation**

Bit	7	6	5	4	3	2	1	0
Symbol	--	-	-	-	-	-	SBRGS	BRGEN
Reset	x	x	x	x	x	x	0	0

**Table 54. Baud Rate Generator Control register (BRGCON - address BDh) bit description**

Bit	Symbol	Description
0	BRGEN	Baud Rate Generator Enable. Enables the baud rate generator. BRGR1 and BRGR0 can only be written when BRGEN = 0.
1	SBRGS	Select Baud Rate Generator as the source for baud rates to UART in modes 1 and 3 (see <a href="#">Table 52</a> for details)
2:7	-	reserved



**Fig 24. Baud rate generation for UART (Modes 1, 3)**

### 10.8 Framing error

A Framing error occurs when the stop bit is sensed as a logic 0. A Framing error is reported in the status register (SSTAT). In addition, if SMOD0 (PCON.6) is 1, framing errors can be made available in SCON.7. If SMOD0 is 0, SCON.7 is SM0. It is recommended that SM0 and SM1 (SCON[7:6]) are programmed when SMOD0 is logic 0.

### 10.9 Break detect

A break detect is reported in the status register (SSTAT). A break is detected when any 11 consecutive bits are sensed low. Since a break condition also satisfies the requirements for a framing error, a break condition will also result in reporting a framing error. Once a

break condition has been detected, the UART will go into an idle state and remain in this idle state until a stop bit has been received. The break detect can be used to reset the device and force the device into ISP mode by setting the EBRR bit (AUXR1.6)

**Table 55. Serial Port Control register (SCON - address 98h) bit allocation**

Bit	7	6	5	4	3	2	1	0
Symbol	SM0/FE	SM1	SM2	REN	TB8	RB8	TI	RI
Reset	x	x	x	x	x	x	0	0

**Table 56. Serial Port Control register (SCON - address 98h) bit description**

Bit	Symbol	Description
0	RI	Receive interrupt flag. Set by hardware at the end of the 8th bit time in Mode 0, or approximately halfway through the stop bit time in Mode 1. For Mode 2 or Mode 3, if SMOD0, it is set near the middle of the 9th data bit (bit 8). If SMOD0 = 1, it is set near the middle of the stop bit (see SM2 - SCON.5 - for exceptions). Must be cleared by software.
1	TI	Transmit interrupt flag. Set by hardware at the end of the 8th bit time in Mode 0, or at the stop bit (see description of INTLO bit in SSTAT register) in the other modes. Must be cleared by software.
2	RB8	The 9th data bit that was received in Modes 2 and 3. In Mode 1 (SM2 must be 0), RB8 is the stop bit that was received. In Mode 0, RB8 is undefined.
3	TB8	The 9th data bit that will be transmitted in Modes 2 and 3. Set or clear by software as desired.
4	REN	Enables serial reception. Set by software to enable reception. Clear by software to disable reception.
5	SM2	Enables the multiprocessor communication feature in Modes 2 and 3. In Mode 2 or 3, if SM2 is set to 1, then RI will not be activated if the received 9th data bit (RB8) is 0. In Mode 0, SM2 should be 0. In Mode 1, SM2 must be 0.
6	SM1	With SM0 defines the serial port mode, see <a href="#">Table 57</a> .
7	SM0/FE	The use of this bit is determined by SMOD0 in the PCON register. If SMOD0 = 0, this bit is read and written as SM0, which with SM1, defines the serial port mode. If SMOD0 = 1, this bit is read and written as FE (Framing Error). FE is set by the receiver when an invalid stop bit is detected. Once set, this bit cannot be cleared by valid frames but is cleared by software. (Note: UART mode bits SM0 and SM1 should be programmed when SMOD0 is logic 0 - default mode on any reset.)

**Table 57. Serial Port modes**

SM0, SM1	UART mode	UART baud rate
00	Mode 0: shift register	$CCLK_{16}$ (default mode on any reset)
01	Mode 1: 8-bit UART	Variable (see <a href="#">Table 52</a> )
10	Mode 2: 9-bit UART	$CCLK_{32}$ or $CCLK_{16}$
11	Mode 3: 9-bit UART	Variable (see <a href="#">Table 52</a> )

**Table 58. Serial Port Status register (SSTAT - address BAh) bit allocation**

Bit	7	6	5	4	3	2	1	0
Symbol	DBMOD	INTLO	CIDIS	DBISEL	FE	BR	OE	STINT
Reset	x	x	x	x	x	x	0	0



**Table 59. Serial Port Status register (SSTAT - address BAh) bit description**

Bit	Symbol	Description
0	STINT	Status Interrupt Enable. When set = 1, FE, BR, or OE can cause an interrupt. The interrupt used (vector address 0023h) is shared with RI (CIDIS = 1) or the combined TI/RI (CIDIS = 0). When cleared = 0, FE, BR, OE cannot cause an interrupt. (Note: FE, BR, or OE is often accompanied by a RI, which will generate an interrupt regardless of the state of STINT). Note that BR can cause a break detect reset if EBRR (AUXR1.6) is set to logic 1.
1	OE	Overrun Error flag is set if a new character is received in the receiver buffer while it is still full (before the software has read the previous character from the buffer), i.e., when bit 8 of a new byte is received while RI in SCON is still set. Cleared by software.
2	BR	Break Detect flag. A break is detected when any 11 consecutive bits are sensed low. Cleared by software.
3	FE	Framing error flag is set when the receiver fails to see a valid STOP bit at the end of the frame. Cleared by software.
4	DBISEL	Double buffering transmit interrupt select. Used only if double buffering is enabled. This bit controls the number of interrupts that can occur when double buffering is enabled. When set, one transmit interrupt is generated after each character written to SBUF, and there is also one more transmit interrupt generated at the beginning (INTLO = 0) or the end (INTLO = 1) of the STOP bit of the last character sent (i.e., no more data in buffer). This last interrupt can be used to indicate that all transmit operations are over. When cleared = 0, only one transmit interrupt is generated per character written to SBUF. Must be logic 0 when double buffering is disabled. Note that except for the first character written (when buffer is empty), the location of the transmit interrupt is determined by INTLO. When the first character is written, the transmit interrupt is generated immediately after SBUF is written.
5	CIDIS	Combined Interrupt Disable. When set = 1, Rx and Tx interrupts are separate. When cleared = 0, the UART uses a combined Tx/Rx interrupt (like a conventional 80C51 UART). This bit is reset to logic 0 to select combined interrupts.
6	INTLO	Transmit interrupt position. When cleared = 0, the Tx interrupt is issued at the beginning of the stop bit. When set = 1, the Tx interrupt is issued at end of the stop bit. Must be logic 0 for mode 0. Note that in the case of single buffering, if the Tx interrupt occurs at the end of a STOP bit, a gap may exist before the next start bit.
7	DBMOD	Double buffering mode. When set = 1 enables double buffering. Must be logic 0 for UART mode 0. In order to be compatible with existing 80C51 devices, this bit is reset to logic 0 to disable double buffering.

## 10.10 More about UART Mode 0

In Mode 0, a write to SBUF will initiate a transmission. At the end of the transmission, TI (SCON.1) is set, which must be cleared in software. Double buffering must be disabled in this mode.

Reception is initiated by clearing RI (SCON.0). Synchronous serial transfer occurs and RI will be set again at the end of the transfer. When RI is cleared, the reception of the next character will begin. Refer to [Figure 25](#)

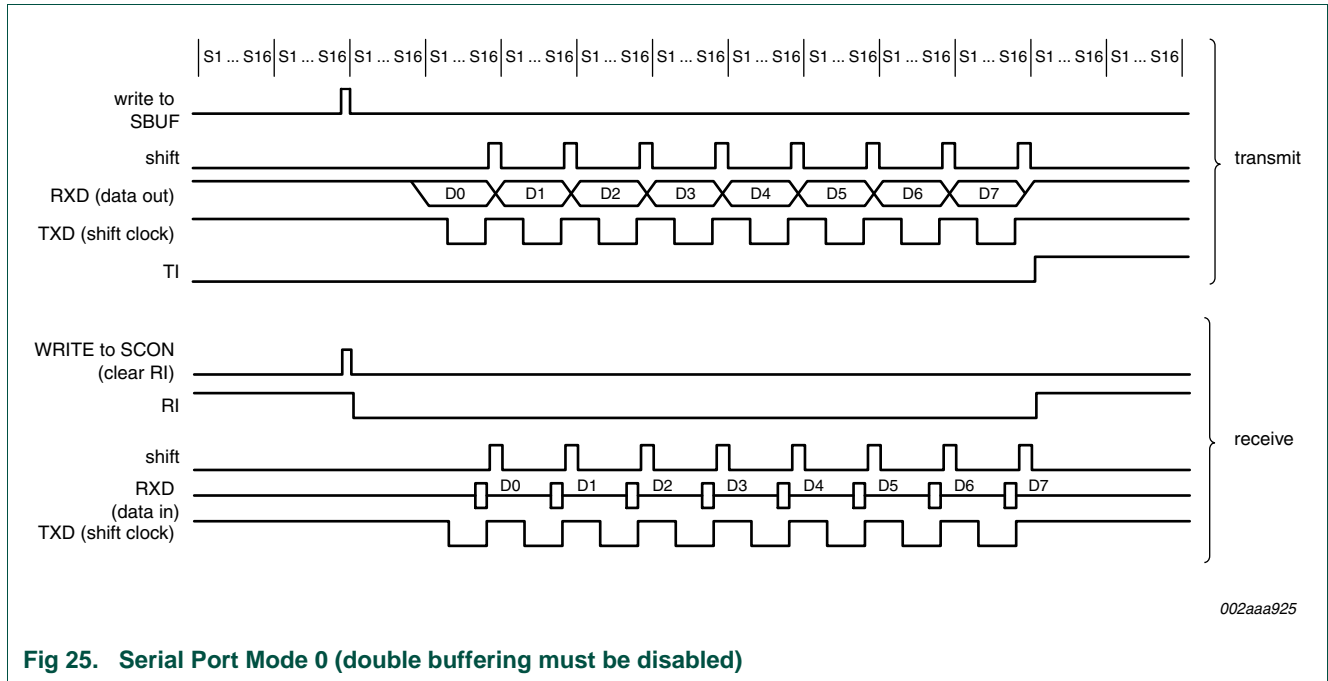


Fig 25. Serial Port Mode 0 (double buffering must be disabled)

### 10.11 More about UART Mode 1

Reception is initiated by detecting a 1-to-0 transition on RxD. RxD is sampled at a rate 16 times the programmed baud rate. When a transition is detected, the divide-by-16 counter is immediately reset. Each bit time is thus divided into 16 counter states. At the 7th, 8th, and 9th counter states, the bit detector samples the value of RxD. The value accepted is the value that was seen in at least 2 of the 3 samples. This is done for noise rejection. If the value accepted during the first bit time is not 0, the receive circuits are reset and the receiver goes back to looking for another 1-to-0 transition. This provides rejection of false start bits. If the start bit proves valid, it is shifted into the input shift register, and reception of the rest of the frame will proceed.

The signal to load SBUF and RB8, and to set RI, will be generated if, and only if, the following conditions are met at the time the final shift pulse is generated: RI = 0 and either SM2 = 0 or the received stop bit = 1. If either of these two conditions is not met, the received frame is lost. If both conditions are met, the stop bit goes into RB8, the 8 data bits go into SBUF, and RI is activated.

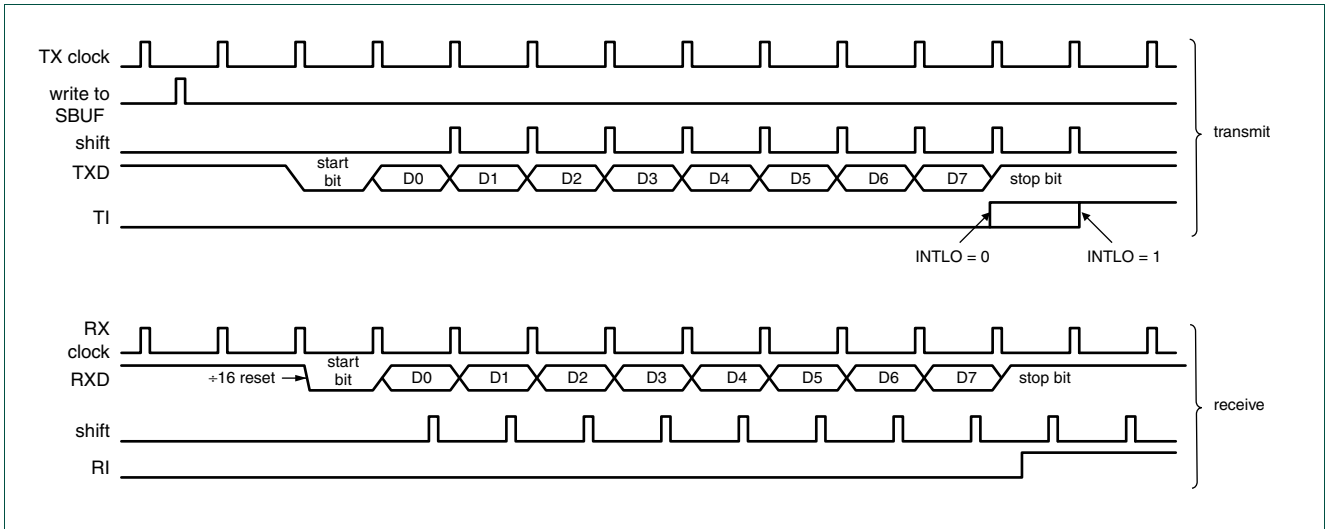


Fig 26. Serial Port Mode 1 (only single transmit buffering case is shown)

### 10.12 More about UART Modes 2 and 3

Reception is the same as in Mode 1.

The signal to load SBUF and RB8, and to set RI, will be generated if, and only if, the following conditions are met at the time the final shift pulse is generated. (a) RI = 0, and (b) Either SM2 = 0, or the received 9th data bit = 1. If either of these conditions is not met, the received frame is lost, and RI is not set. If both conditions are met, the received 9th data bit goes into RB8, and the first 8 data bits go into SBUF.

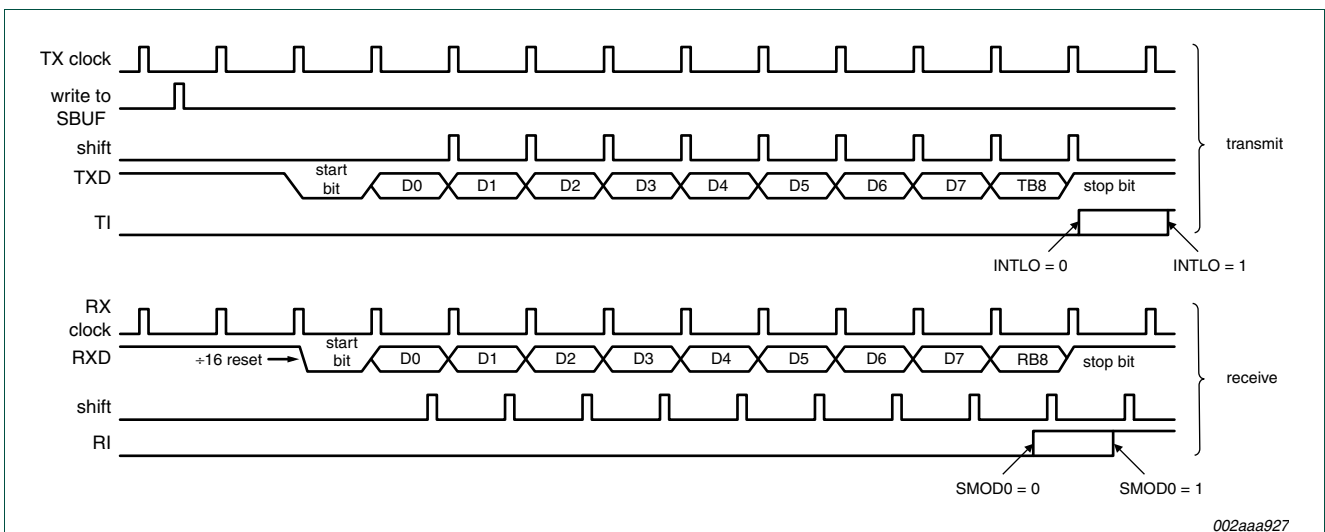


Fig 27. Serial Port Mode 2 or 3 (only single transmit buffering case is shown)

### 10.13 Framing error and RI in Modes 2 and 3 with SM2 = 1

If SM2 = 1 in modes 2 and 3, RI and FE behaves as in the following table.

**Table 60. FE and RI when SM2 = 1 in Modes 2 and 3**

Mode	PCON.6 (SMOD0)	RB8	RI	FE
2	0	0	No RI when RB8 = 0	Occurs during STOP bit
		1	Similar to <a href="#">Figure 27</a> , with SMOD0 = 0, RI occurs during RB8, one bit before FE	Occurs during STOP bit
3	1	0	No RI when RB8 = 0	Will NOT occur
		1	Similar to <a href="#">Figure 27</a> , with SMOD0 = 1, RI occurs during STOP bit	Occurs during STOP bit

### 10.14 Break detect

A break is detected when 11 consecutive bits are sensed low and is reported in the status register (SSTAT). For Mode 1, this consists of the start bit, 8 data bits, and two stop bit times. For Modes 2 and 3, this consists of the start bit, 9 data bits, and one stop bit. The break detect bit is cleared in software or by a reset. The break detect can be used to reset the device and force the device into ISP mode. This occurs if the UART is enabled and the EBRR bit (AUXR1.6) is set and a break occurs.

### 10.15 Double buffering

The UART has a transmit double buffer that allows buffering of the next character to be written to SBUF while the first character is being transmitted. Double buffering allows transmission of a string of characters with only one stop bit between any two characters, provided the next character is written between the start bit and the stop bit of the previous character.

Double buffering can be disabled. If disabled (DBMOD, i.e. SSTAT.7 = 0), the UART is compatible with the conventional 80C51 UART. If enabled, the UART allows writing to SnBUF while the previous data is being shifted out.

### 10.16 Double buffering in different modes

Double buffering is only allowed in Modes 1, 2 and 3. When operated in Mode 0, double buffering must be disabled (DBMOD = 0).

### 10.17 Transmit interrupts with double buffering enabled (Modes 1, 2, and 3)

Unlike the conventional UART, when double buffering is enabled, the Tx interrupt is generated when the double buffer is ready to receive new data. The following occurs during a transmission (assuming eight data bits):

1. The double buffer is empty initially.
2. The CPU writes to SBUF.
3. The SBUF data is loaded to the shift register and a Tx interrupt is generated immediately.
4. If there is more data, go to 6, else continue.
5. If there is no more data, then:
  - If DBISEL is logic 0, no more interrupts will occur.

- If DBISEL is logic 1 and INTLO is logic 0, a Tx interrupt will occur at the beginning of the STOP bit of the data currently in the shifter (which is also the last data).
  - If DBISEL is logic 1 and INTLO is logic 1, a Tx interrupt will occur at the end of the STOP bit of the data currently in the shifter (which is also the last data).
  - Note that if DBISEL is logic 1 and the CPU is writing to SBUF when the STOP bit of the last data is shifted out, there can be an uncertainty of whether a Tx interrupt is generated already with the UART not knowing whether there is any more data following.
6. If there is more data, the CPU writes to SBUF again. Then:
- If INTLO is logic 0, the new data will be loaded and a Tx interrupt will occur at the beginning of the STOP bit of the data currently in the shifter.
  - If INTLO is logic 1, the new data will be loaded and a Tx interrupt will occur at the end of the STOP bit of the data currently in the shifter.
  - Go to 3.

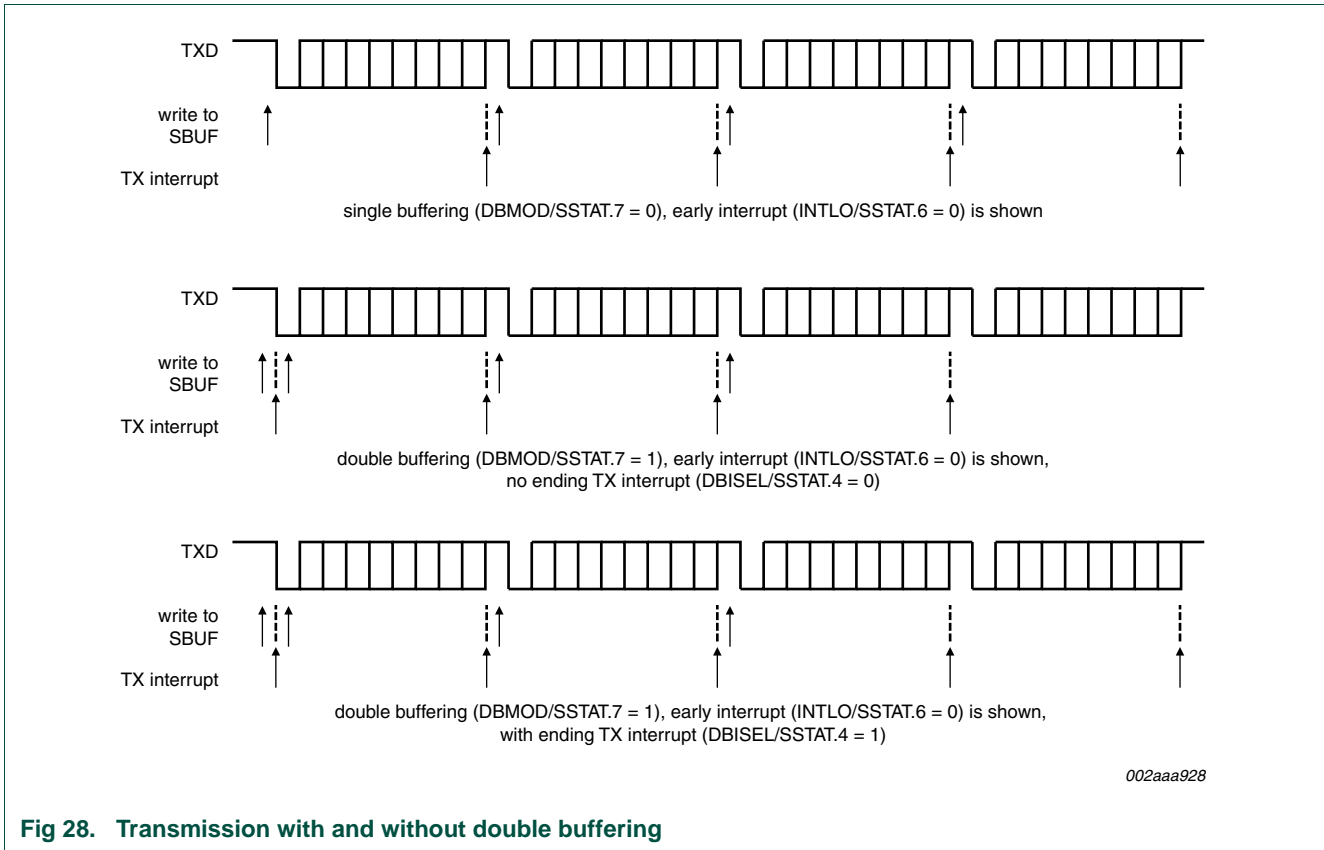


Fig 28. Transmission with and without double buffering

### 10.18 The 9th bit (bit 8) in double buffering (Modes 1, 2, and 3)

If double buffering is disabled (DBMOD, i.e. SSTAT.7 = 0), TB8 can be written before or after SBUF is written, provided TB8 is updated before that TB8 is shifted out. TB8 must not be changed again until after TB8 shifting has been completed, as indicated by the Tx interrupt.

If double buffering is enabled, TB8 MUST be updated before SBUF is written, as TB8 will be double-buffered together with SBUF data. The operation described in the [Section 10.17 “Transmit interrupts with double buffering enabled \(Modes 1, 2, and 3\)”](#) becomes as follows:

1. The double buffer is empty initially.
2. The CPU writes to TB8.
3. The CPU writes to SBUF.
4. The SBUF/TB8 data is loaded to the shift register and a Tx interrupt is generated immediately.
5. If there is more data, go to 7, else continue on 6.
6. If there is no more data, then:
  - If DBISEL is logic 0, no more interrupt will occur.
  - If DBISEL is logic 1 and INTLO is logic 0, a Tx interrupt will occur at the beginning of the STOP bit of the data currently in the shifter (which is also the last data).
  - If DBISEL is logic 1 and INTLO is logic 1, a Tx interrupt will occur at the end of the STOP bit of the data currently in the shifter (which is also the last data).
7. If there is more data, the CPU writes to TB8 again.
8. The CPU writes to SBUF again. Then:
  - If INTLO is logic 0, the new data will be loaded and a Tx interrupt will occur at the beginning of the STOP bit of the data currently in the shifter.
  - If INTLO is logic 1, the new data will be loaded and a Tx interrupt will occur at the end of the STOP bit of the data currently in the shifter.
9. Go to 4.
10. Note that if DBISEL is logic 1 and the CPU is writing to SBUF when the STOP bit of the last data is shifted out, there can be an uncertainty of whether a Tx interrupt is generated already with the UART not knowing whether there is any more data following.

## 10.19 Multiprocessor communications

UART modes 2 and 3 have a special provision for multiprocessor communications. In these modes, 9 data bits are received or transmitted. When data is received, the 9th bit is stored in RB8. The UART can be programmed such that when the stop bit is received, the serial port interrupt will be activated only if RB8 = 1. This feature is enabled by setting bit SM2 in SCON. One way to use this feature in multiprocessor systems is as follows:

When the master processor wants to transmit a block of data to one of several slaves, it first sends out an address byte which identifies the target slave. An address byte differs from a data byte in that the 9th bit is 1 in an address byte and 0 in a data byte. With SM2 = 1, no slave will be interrupted by a data byte. An address byte, however, will interrupt all slaves, so that each slave can examine the received byte and see if it is being addressed. The addressed slave will clear its SM2 bit and prepare to receive the data bytes that follow. The slaves that weren't being addressed leave their SM2 bits set and go on about their business, ignoring the subsequent data bytes.

Note that SM2 has no effect in Mode 0, and must be logic 0 in Mode 1.

## 10.20 Automatic address recognition

Automatic address recognition is a feature which allows the UART to recognize certain addresses in the serial bit stream by using hardware to make the comparisons. This feature saves a great deal of software overhead by eliminating the need for the software to examine every serial address which passes by the serial port. This feature is enabled by setting the SM2 bit in SCON. In the 9 bit UART modes (mode 2 and mode 3), the Receive Interrupt flag (RI) will be automatically set when the received byte contains either the 'Given' address or the 'Broadcast' address. The 9 bit mode requires that the 9th information bit is a 1 to indicate that the received information is an address and not data.

Using the Automatic Address Recognition feature allows a master to selectively communicate with one or more slaves by invoking the Given slave address or addresses. All of the slaves may be contacted by using the Broadcast address. Two special Function Registers are used to define the slave's address, SADDR, and the address mask, SADEN. SADEN is used to define which bits in the SADDR are to be used and which bits are 'don't care'. The SADEN mask can be logically ANDed with the SADDR to create the 'Given' address which the master will use for addressing each of the slaves. Use of the Given address allows multiple slaves to be recognized while excluding others. The following examples will help to show the versatility of this scheme:

**Table 61. Slave 0/1 examples**

Example 1			Example 2		
Slave 0	SADDR	= 1100 0000	Slave 1	SADDR	= 1100 0000
	SADEN	= 1111 1101		SADEN	= 1111 1110
	Given	= 1100 00X0		Given	= 1100 000X

In the above example SADDR is the same and the SADEN data is used to differentiate between the two slaves. Slave 0 requires a 0 in bit 0 and it ignores bit 1. Slave 1 requires a 0 in bit 1 and bit 0 is ignored. A unique address for Slave 0 would be 1100 0010 since slave 1 requires a 0 in bit 1. A unique address for slave 1 would be 1100 0001 since a 1 in bit 0 will exclude slave 0. Both slaves can be selected at the same time by an address which has bit 0 = 0 (for slave 0) and bit 1 = 0 (for slave 1). Thus, both could be addressed with 1100 0000.

In a more complex system the following could be used to select slaves 1 and 2 while excluding slave 0:

**Table 62. Slave 0/1/2 examples**

Example 1			Example 2			Example 3		
Slave 0	SADDR	= 1100 0000	Slave 1	SADDR	= 1110 0000	Slave 2	SADDR	= 1100 0000
	SADEN	= 1111 1001		SADEN	= 1111 1010		SADEN	= 1111 1100
	Given	= 1100 0XX0		Given	= 1110 0X0X		Given	= 1110 00XX

In the above example the differentiation among the 3 slaves is in the lower 3 address bits. Slave 0 requires that bit 0 = 0 and it can be uniquely addressed by 1110 0110. Slave 1 requires that bit 1 = 0 and it can be uniquely addressed by 1110 and 0101. Slave 2 requires that bit 2 = 0 and its unique address is 1110 0011. To select Slaves 0 and 1 and exclude Slave 2 use address 1110 0100, since it is necessary to make bit 2 = 1 to exclude slave 2. The Broadcast Address for each slave is created by taking the logical OR of SADDR and SADEN. Zeros in this result are treated as don't-cares. In most cases, interpreting the don't-cares as ones, the broadcast address will be FF hexadecimal. Upon

reset SADDR and SADEN are loaded with 0s. This produces a given address of all 'don't cares' as well as a Broadcast address of all 'don't cares'. This effectively disables the Automatic Addressing mode and allows the microcontroller to use standard UART drivers which do not make use of this feature.

## 11. I<sup>2</sup>C interface

---

The I<sup>2</sup>C-bus uses two wires, serial clock (SCL) and serial data (SDA) to transfer information between devices connected to the bus, and has the following features:

- Bidirectional data transfer between masters and slaves
- Multimaster bus (no central master)
- Arbitration between simultaneously transmitting masters without corruption of serial data on the bus
- Serial clock synchronization allows devices with different bit rates to communicate via one serial bus
- Serial clock synchronization can be used as a handshake mechanism to suspend and resume serial transfer
- The I<sup>2</sup>C-bus may be used for test and diagnostic purposes

A typical I<sup>2</sup>C-bus configuration is shown in [Figure 29](#). Depending on the state of the direction bit (R/W), two types of data transfers are possible on the I<sup>2</sup>C-bus:

- Data transfer from a master transmitter to a slave receiver. The first byte transmitted by the master is the slave address. Next follows a number of data bytes. The slave returns an acknowledge bit after each received byte.
- Data transfer from a slave transmitter to a master receiver. The first byte (the slave address) is transmitted by the master. The slave then returns an acknowledge bit. Next follows the data bytes transmitted by the slave to the master. The master returns an acknowledge bit after all received bytes other than the last byte. At the end of the last received byte, a 'not acknowledge' is returned. The master device generates all of the serial clock pulses and the START and STOP conditions. A transfer is ended with a STOP condition or with a repeated START condition. Since a repeated START condition is also the beginning of the next serial transfer, the I<sup>2</sup>C-bus will not be released.

The P89LPC9201/9211/922A1/9241/9251 device provides a byte-oriented I<sup>2</sup>C interface. It has four operation modes: Master Transmitter Mode, Master Receiver Mode, Slave Transmitter Mode and Slave Receiver Mode.



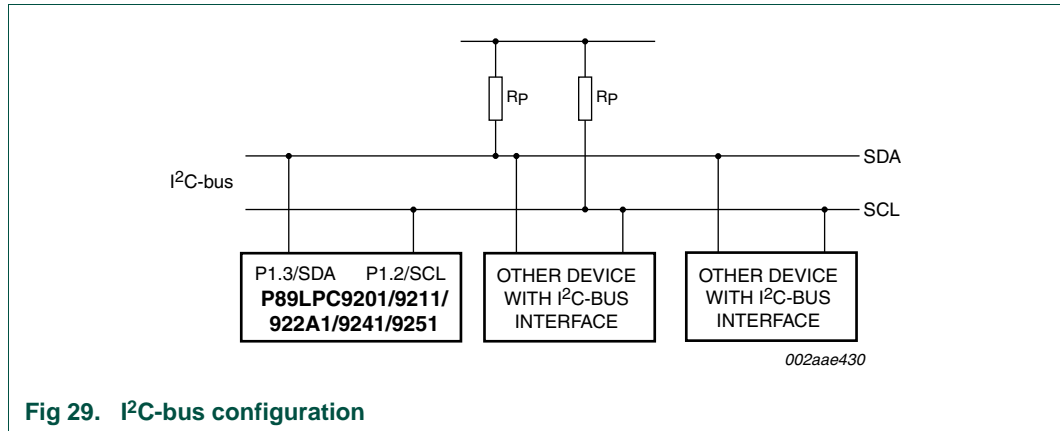


Fig 29. I2C-bus configuration

The P89LPC9201/9211/922A1/9241/9251 CPU interfaces with the I2C-bus through six Special Function Registers (SFRs): I2CON (I2C Control Register), I2DAT (I2C Data Register), I2STAT (I2C Status Register), I2ADR (I2C Slave Address Register), I2SCLH (SCL Duty Cycle Register High Byte), and I2SCLL (SCL Duty Cycle Register Low Byte).

### 11.1 I2C data register

I2DAT register contains the data to be transmitted or the data received. The CPU can read and write to this 8-bit register while it is not in the process of shifting a byte. Thus this register should only be accessed when the SI bit is set. Data in I2DAT remains stable as long as the SI bit is set. Data in I2DAT is always shifted from right to left: the first bit to be transmitted is the MSB (bit 7), and after a byte has been received, the first bit of received data is located at the MSB of I2DAT.

Table 63. I2C data register (I2DAT - address DAh) bit allocation

Bit	7	6	5	4	3	2	1	0
Symbol	I2DAT.7	I2DAT.6	I2DAT.5	I2DAT.4	I2DAT.3	I2DAT.2	I2DAT.1	I2DAT.0
Reset	0	0	0	0	0	0	0	0

### 11.2 I2C slave address register

I2ADR register is readable and writable, and is only used when the I2C interface is set to slave mode. In master mode, this register has no effect. The LSB of I2ADR is general call bit. When this bit is set, the general call address (00h) is recognized.

Table 64. I2C slave address register (I2ADR - address DBh) bit allocation

Bit	7	6	5	4	3	2	1	0
Symbol	I2ADR.6	I2ADR.5	I2ADR.4	I2ADR.3	I2ADR.2	I2ADR.1	I2ADR.0	GC
Reset	0	0	0	0	0	0	0	0

Table 65. I2C slave address register (I2ADR - address DBh) bit description

Bit	Symbol	Description
0	GC	General call bit. When set, the general call address (00H) is recognized, otherwise it is ignored.
1:7	I2ADR1:7	7 bit own slave address. When in master mode, the contents of this register has no effect.

### 11.3 I<sup>2</sup>C control register

The CPU can read and write this register. There are two bits are affected by hardware: the SI bit and the STO bit. The SI bit is set by hardware and the STO bit is cleared by hardware.

CRSEL determines the SCL source when the I<sup>2</sup>C-bus is in master mode. In slave mode this bit is ignored and the bus will automatically synchronize with any clock frequency up to 400 kHz from the master I<sup>2</sup>C device. When CRSEL = 1, the I<sup>2</sup>C interface uses the Timer 1 overflow rate divided by 2 for the I<sup>2</sup>C clock rate. Timer 1 should be programmed by the user in 8 bit auto-reload mode (Mode 2).

Data rate of I<sup>2</sup>C-bus = Timer overflow rate / 2 = PCLK / (2\*(256-reload value)).

If  $f_{osc} = 12$  MHz, reload value is 0 to 255, so I<sup>2</sup>C data rate range is 11.72 Kbit/sec to 3000 Kbit/sec.

When CRSEL = 0, the I<sup>2</sup>C interface uses the internal clock generator based on the value of I2SCLL and I2CSCLH register. The duty cycle does not need to be 50 %.

The STA bit is START flag. Setting this bit causes the I<sup>2</sup>C interface to enter master mode and attempt transmitting a START condition or transmitting a repeated START condition when it is already in master mode.

The STO bit is STOP flag. Setting this bit causes the I<sup>2</sup>C interface to transmit a STOP condition in master mode, or recovering from an error condition in slave mode.

If the STA and STO are both set, then a STOP condition is transmitted to the I<sup>2</sup>C-bus if it is in master mode, and transmits a START condition afterwards. If it is in slave mode, an internal STOP condition will be generated, but it is not transmitted to the bus.

**Table 66. I<sup>2</sup>C Control register (I2CON - address D8h) bit allocation**

Bit	7	6	5	4	3	2	1	0
Symbol	-	I2EN	STA	STO	SI	AA	-	CRSEL
Reset	x	0	0	0	0	0	x	0

**Table 67. I<sup>2</sup>C Control register (I2CON - address D8h) bit description**

Bit	Symbol	Description
0	CRSEL	SCL clock selection. When set = 1, Timer 1 overflow generates SCL, when cleared = 0, the internal SCL generator is used base on values of I2SCLH and I2SCLL.
1	-	reserved
2	AA	The Assert Acknowledge Flag. When set to 1, an acknowledge (low level to SDA) will be returned during the acknowledge clock pulse on the SCL line on the following situations: (1)The 'own slave address' has been received. (2)The general call address has been received while the general call bit (GC) in I2ADR is set. (3) A data byte has been received while the I <sup>2</sup> C interface is in the Master Receiver Mode. (4)A data byte has been received while the I <sup>2</sup> C interface is in the addressed Slave Receiver Mode. When cleared to 0, an not acknowledge (high level to SDA) will be returned during the acknowledge clock pulse on the SCL line on the following situations: (1) A data byte has been received while the I <sup>2</sup> C interface is in the Master Receiver Mode. (2) A data byte has been received while the I <sup>2</sup> C interface is in the addressed Slave Receiver Mode.

**Table 67. I<sup>2</sup>C Control register (I2CON - address D8h) bit description ...continued**

Bit	Symbol	Description
3	SI	I <sup>2</sup> C Interrupt Flag. This bit is set when one of the 25 possible I <sup>2</sup> C states is entered. When EA bit and EI2C (IEN1.0) bit are both set, an interrupt is requested when SI is set. Must be cleared by software by writing 0 to this bit.
4	STO	STOP Flag. STO = 1: In master mode, a STOP condition is transmitted to the I <sup>2</sup> C-bus. When the bus detects the STOP condition, it will clear STO bit automatically. In slave mode, setting this bit can recover from an error condition. In this case, no STOP condition is transmitted to the bus. The hardware behaves as if a STOP condition has been received and it switches to 'not addressed' Slave Receiver Mode. The STO flag is cleared by hardware automatically.
5	STA	Start Flag. STA = 1: I <sup>2</sup> C-bus enters master mode, checks the bus and generates a START condition if the bus is free. If the bus is not free, it waits for a STOP condition (which will free the bus) and generates a START condition after a delay of a half clock period of the internal clock generator. When the I <sup>2</sup> C interface is already in master mode and some data is transmitted or received, it transmits a repeated START condition. STA may be set at any time, it may also be set when the I <sup>2</sup> C interface is in an addressed slave mode. STA = 0: no START condition or repeated START condition will be generated.
6	I2EN	I <sup>2</sup> C Interface Enable. When set, enables the I <sup>2</sup> C interface. When clear, the I <sup>2</sup> C function is disabled.
7	-	reserved

## 11.4 I<sup>2</sup>C Status register

This is a read-only register. It contains the status code of the I<sup>2</sup>C interface. The least three bits are always 0. There are 26 possible status codes. When the code is F8H, there is no relevant information available and SI bit is not set. All other 25 status codes correspond to defined I<sup>2</sup>C states. When any of these states entered, the SI bit will be set. Refer to [Table 73](#) to [Table 76](#) for details.

**Table 68. I<sup>2</sup>C Status register (I2STAT - address D9h) bit allocation**

Bit	7	6	5	4	3	2	1	0
Symbol	STA.4	STA.3	STA.2	STA.1	STA.0	0	0	0
Reset	0	0	0	0	0	0	0	0

**Table 69. I<sup>2</sup>C Status register (I2STAT - address D9h) bit description**

Bit	Symbol	Description
0:2	-	Reserved, are always set to 0.
3:7	STA[0:4]	I <sup>2</sup> C Status code.

## 11.5 I<sup>2</sup>C SCL duty cycle registers I2SCLH and I2SCLL

When the internal SCL generator is selected for the I<sup>2</sup>C interface by setting CRSEL = 0 in the I2CON register, the user must set values for registers I2SCLL and I2SCLH to select the data rate. I2SCLH defines the number of PCLK cycles for SCL = high, I2SCLL defines the number of PCLK cycles for SCL = low. The frequency is determined by the following formula:

$$\text{Bit Frequency} = f_{\text{PCLK}} / (2 * (\text{I2SCLH} + \text{I2SCLL}))$$

Where  $f_{\text{PCLK}}$  is the frequency of PCLK.

The values for I2SCLL and I2SCLH do not have to be the same; the user can give different duty cycles for SCL by setting these two registers. However, the value of the register must ensure that the data rate is in the I<sup>2</sup>C data rate range of 0 to 400 kHz. Thus the values of I2SCLL and I2SCLH have some restrictions and values for both registers greater than three PCLKs are recommended.

**Table 70. I<sup>2</sup>C clock rates selection**

I2SCLL+ I2SCLH	CRSEL	Bit data rate (Kbit/sec) at f <sub>osc</sub>				
		7.373 MHz	3.6865 MHz	1.8433 MHz	12 MHz	6 MHz
6	0	-	307	154	-	-
7	0	-	263	132	-	-
8	0	-	230	115	-	375
9	0	-	205	102	-	333
10	0	369	184	92	-	300
15	0	246	123	61	400	200
25	0	147	74	37	240	120
30	0	123	61	31	200	100
50	0	74	37	18	120	60
60	0	61	31	15	100	50
100	0	37	18	9	60	30
150	0	25	12	6	40	20
200	0	18	9	5	30	15
-	1	3.6 Kbps to 922 Kbps Timer 1 in mode 2	1.8 Kbps to 461 Kbps Timer 1 in mode 2	0.9 Kbps to 230 Kbps Timer 1 in mode 2	5.86 Kbps to 1500 Kbps Timer 1 in mode 2	2.93 Kbps to 750 Kbps Timer 1 in mode 2

## 11.6 I<sup>2</sup>C operation modes

### 11.6.1 Master Transmitter mode

In this mode data is transmitted from master to slave. Before the Master Transmitter mode can be entered, I2CON must be initialized as follows:

**Table 71. I<sup>2</sup>C Control register (I2CON - address D8h)**

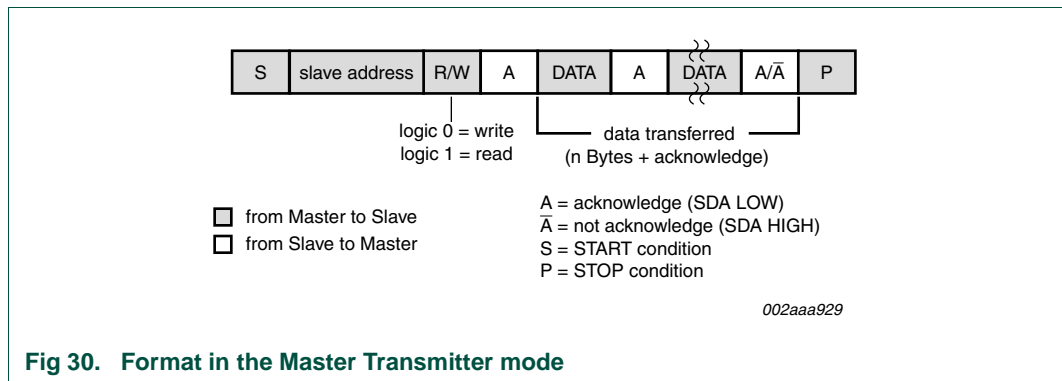
Bit	7	6	5	4	3	2	1	0
	-	I2EN	STA	STO	SI	AA	-	CRSEL
value	-	1	0	0	0	x	-	bit rate

CRSEL defines the bit rate. I2EN must be set to 1 to enable the I<sup>2</sup>C function. If the AA bit is 0, it will not acknowledge its own slave address or the general call address in the event of another device becoming master of the bus and it can not enter slave mode. STA, STO, and SI bits must be cleared to 0.

The first byte transmitted contains the slave address of the receiving device (7 bits) and the data direction bit. In this case, the data direction bit (R/W) will be logic 0 indicating a write. Data is transmitted 8 bits at a time. After each byte is transmitted, an acknowledge bit is received. START and STOP conditions are output to indicate the beginning and the end of a serial transfer.

The I<sup>2</sup>C-bus will enter Master Transmitter Mode by setting the STA bit. The I<sup>2</sup>C logic will send the START condition as soon as the bus is free. After the START condition is transmitted, the SI bit is set, and the status code in I2STAT should be 08h. This status code must be used to vector to an interrupt service routine where the user should load the slave address to I2DAT (Data Register) and data direction bit (SLA+W). The SI bit must be cleared before the data transfer can continue.

When the slave address and R/W bit have been transmitted and an acknowledgment bit has been received, the SI bit is set again, and the possible status codes are 18h, 20h, or 38h for the master mode or 68h, 78h, or 0B0h if the slave mode was enabled (setting AA = Logic 1). The appropriate action to be taken for each of these status codes is shown in [Table 73](#).



### 11.6.2 Master Receiver mode

In the Master Receiver Mode, data is received from a slave transmitter. The transfer started in the same manner as in the Master Transmitter Mode. When the START condition has been transmitted, the interrupt service routine must load the slave address and the data direction bit to I<sup>2</sup>C Data Register (I2DAT). The SI bit must be cleared before the data transfer can continue.

When the slave address and data direction bit have been transmitted and an acknowledge bit has been received, the SI bit is set, and the Status Register will show the status code. For master mode, the possible status codes are 40H, 48H, or 38H. For slave mode, the possible status codes are 68H, 78H, or B0H. Refer to [Table 75](#) for details.

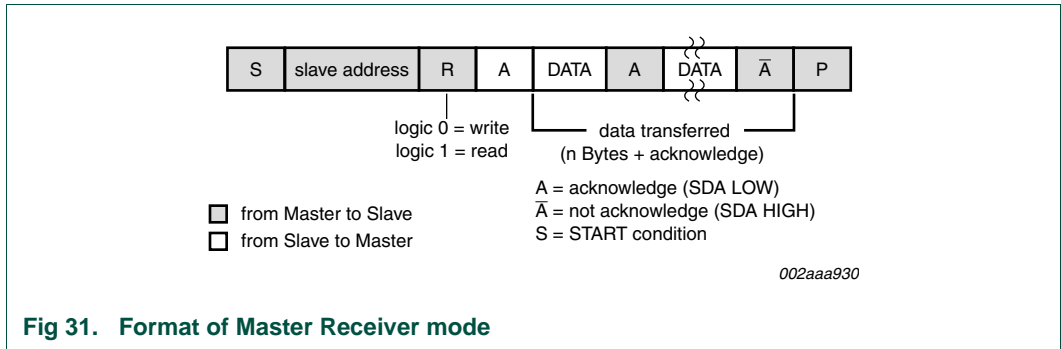


Fig 31. Format of Master Receiver mode

After a repeated START condition, I<sup>2</sup>C-bus may switch to the Master Transmitter Mode.

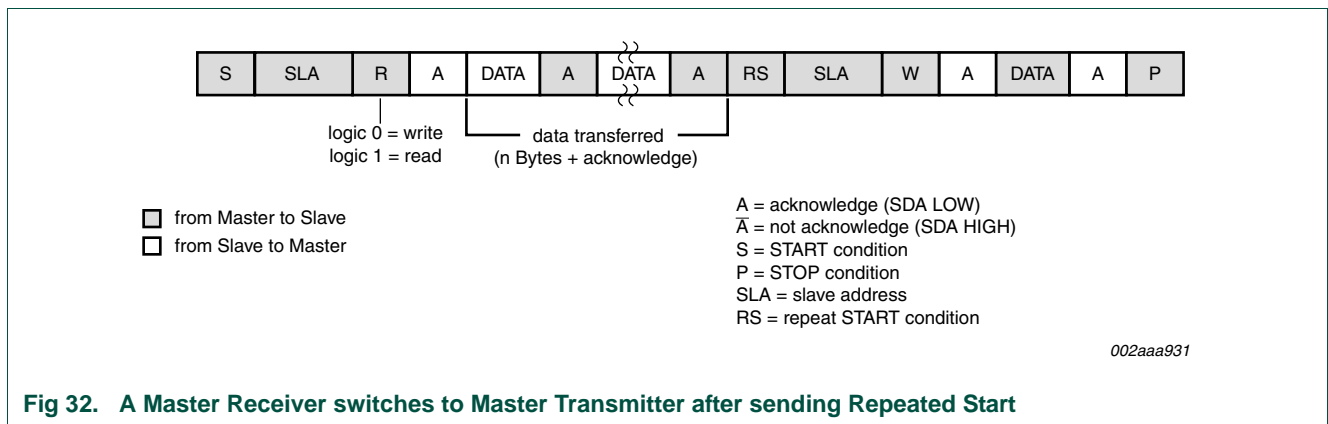


Fig 32. A Master Receiver switches to Master Transmitter after sending Repeated Start

### 11.6.3 Slave Receiver mode

In the Slave Receiver Mode, data bytes are received from a master transmitter. To initialize the Slave Receiver Mode, the user should write the slave address to the Slave Address Register (I2ADR) and the I<sup>2</sup>C Control Register (I2CON) should be configured as follows:

Table 72. I<sup>2</sup>C Control register (I2CON - address D8h)

Bit	7	6	5	4	3	2	1	0
	-	I2EN	STA	STO	SI	AA	-	CRSEL
value	-	1	0	0	0	1	-	-

CRSEL is not used for slave mode. I2EN must be set = 1 to enable I<sup>2</sup>C function. AA bit must be set = 1 to acknowledge its own slave address or the general call address. STA, STO and SI are cleared to 0.

After I2ADR and I2CON are initialized, the interface waits until it is addressed by its own address or general address followed by the data direction bit which is 0(W). If the direction bit is 1(R), it will enter Slave Transmitter Mode. After the address and the direction bit have been received, the SI bit is set and a valid status code can be read from the Status Register(I2STAT). Refer to [Table 76](#) for the status codes and actions.

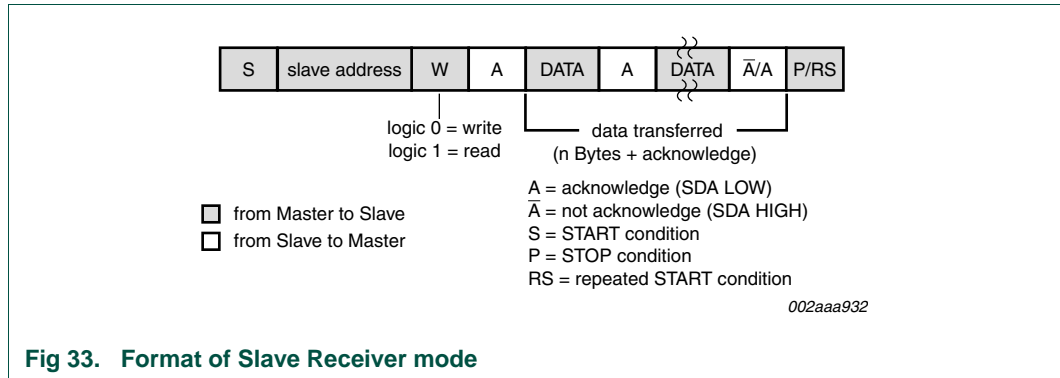


Fig 33. Format of Slave Receiver mode

### 11.6.4 Slave Transmitter mode

The first byte is received and handled as in the Slave Receiver Mode. However, in this mode, the direction bit will indicate that the transfer direction is reversed. Serial data is transmitted via P1.3/SDA while the serial clock is input through P1.2/SCL. START and STOP conditions are recognized as the beginning and end of a serial transfer. In a given application, the I<sup>2</sup>C-bus may operate as a master and as a slave. In the slave mode, the I<sup>2</sup>C hardware looks for its own slave address and the general call address. If one of these addresses is detected, an interrupt is requested. When the microcontroller wishes to become the bus master, the hardware waits until the bus is free before the master mode is entered so that a possible slave action is not interrupted. If bus arbitration is lost in the master mode, the I<sup>2</sup>C-bus switches to the slave mode immediately and can detect its own slave address in the same serial transfer.

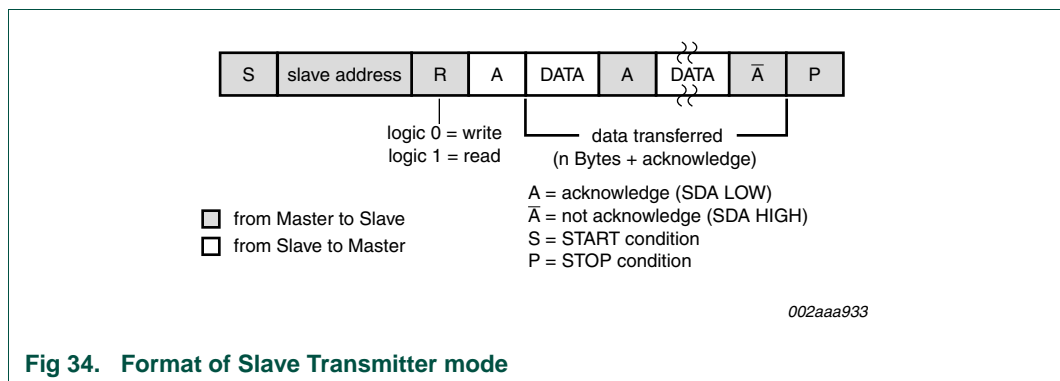


Fig 34. Format of Slave Transmitter mode

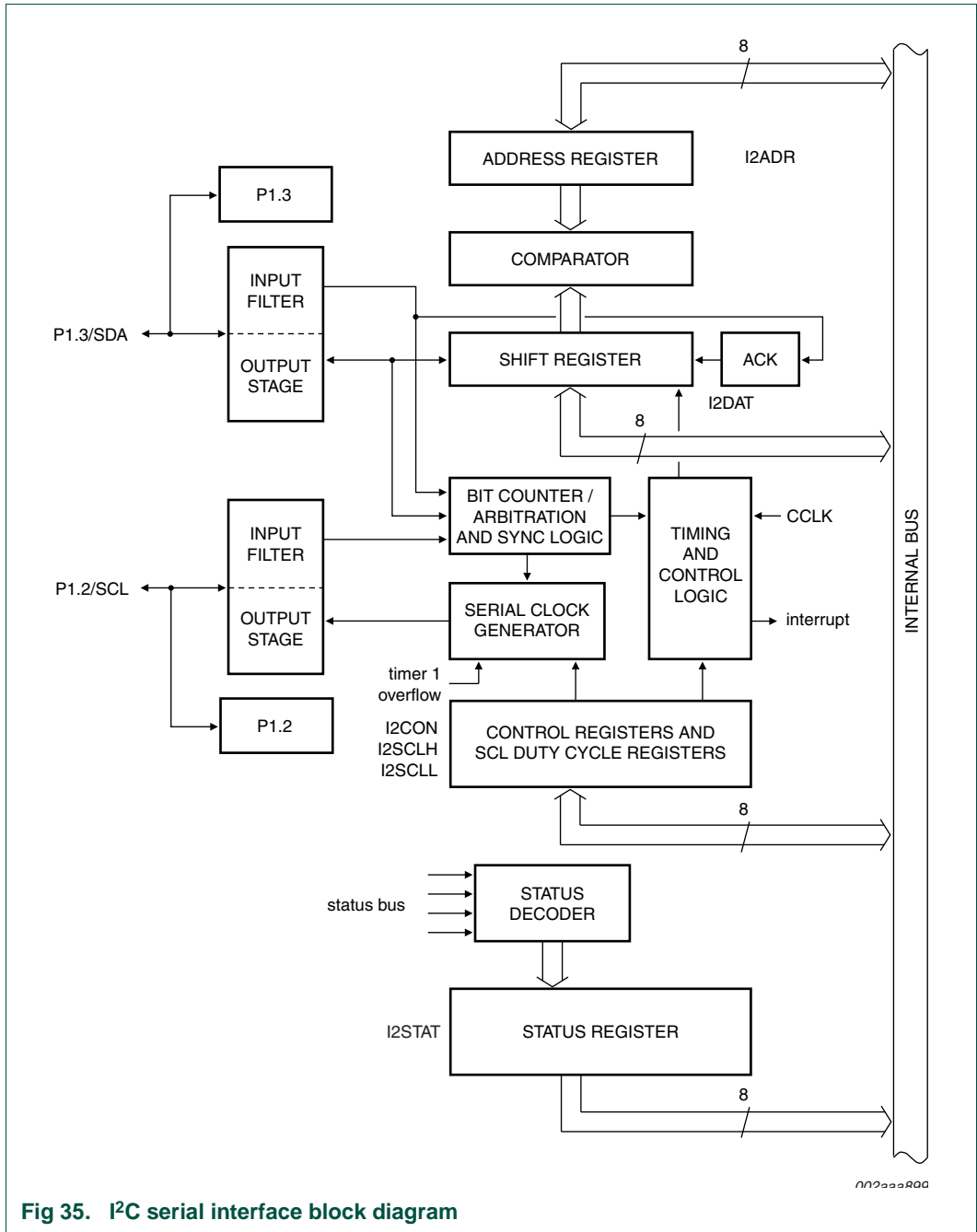


Fig 35. I2C serial interface block diagram



Table 73. Master Transmitter mode

Status code (I2STAT)	Status of the I <sup>2</sup> C hardware	Application software response					Next action taken by I <sup>2</sup> C hardware
		to/from I2DAT	to I2CON				
			STA	STO	SI	AA	
08H	A START condition has been transmitted	Load SLA+W	x	0	0	x	SLA+W will be transmitted; ACK bit will be received
10H	A repeat START condition has been transmitted	Load SLA+W or Load SLA+R	x	0	0	x	As above; SLA+W will be transmitted; I <sup>2</sup> C-bus switches to Master Receiver Mode
18h	SLA+W has been transmitted; ACK has been received	Load data byte or	0	0	0	x	Data byte will be transmitted; ACK bit will be received
		no I2DAT action or	1	0	0	x	Repeated START will be transmitted;
		no I2DAT action or	0	1	0	x	STOP condition will be transmitted; STO flag will be reset
		no I2DAT action	1	1	0	x	STOP condition followed by a START condition will be transmitted; STO flag will be reset.
20h	SLA+W has been transmitted; NOT-ACK has been received	Load data byte or	0	0	0	x	Data byte will be transmitted; ACK bit will be received
		no I2DAT action or	1	0	0	x	Repeated START will be transmitted;
		no I2DAT action or	0	1	0	x	STOP condition will be transmitted; STO flag will be reset
		no I2DAT action	1	1	0	x	STOP condition followed by a START condition will be transmitted; STO flag will be reset
28h	Data byte in I2DAT has been transmitted; ACK has been received	Load data byte or	0	0	0	x	Data byte will be transmitted; ACK bit will be received
		no I2DAT action or	1	0	0	x	Repeated START will be transmitted;
		no I2DAT action or	0	1	0	x	STOP condition will be transmitted; STO flag will be reset
		no I2DAT action	1	1	0	x	STOP condition followed by a START condition will be transmitted; STO flag will be reset

**Table 73. Master Transmitter mode ...continued**

Status code (I2STAT)	Status of the I <sup>2</sup> C hardware	Application software response					Next action taken by I <sup>2</sup> C hardware
		to/from I2DAT	to I2CON				
			STA	STO	SI	AA	
30h	Data byte in I2DAT has been transmitted, NOT ACK has been received	Load data byte or	0	0	0	x	Data byte will be transmitted; ACK bit will be received
		no I2DAT action or	1	0	0	x	Repeated START will be transmitted;
		no I2DAT action or	0	1	0	x	STOP condition will be transmitted; STO flag will be reset
		no I2DAT action	1	1	0	x	STOP condition followed by a START condition will be transmitted. STO flag will be reset.
38H	Arbitration lost in SLA+R/W or data bytes	No I2DAT action or	0	0	0	x	I <sup>2</sup> C-bus will be released; not addressed slave will be entered
		No I2DAT action	1	0	0	x	A START condition will be transmitted when the bus becomes free.

**Table 74. Master Receiver mode**

Status code (I2STAT)	Status of the I <sup>2</sup> C hardware	Application software response					Next action taken by I <sup>2</sup> C hardware
		to/from I2DAT	to I2CON				
			STA	STO	SI	STA	
08H	A START condition has been transmitted	Load SLA+R	x	0	0	x	SLA+R will be transmitted; ACK bit will be received
10H	A repeat START condition has been transmitted	Load SLA+R or	x	0	0	x	As above
		Load SLA+W					SLA+W will be transmitted; I <sup>2</sup> C-bus will be switched to Master Transmitter Mode
38H	Arbitration lost in NOT ACK bit	no I2DAT action or	0	0	0	x	I <sup>2</sup> C-bus will be released; it will enter a slave mode
		no I2DAT action	1	0	0	x	A START condition will be transmitted when the bus becomes free
40h	SLA+R has been transmitted; ACK has been received	no I2DAT action or	0	0	0	0	Data byte will be received; NOT ACK bit will be returned
		no I2DAT action or	0	0	0	1	Data byte will be received; ACK bit will be returned
48h	SLA+R has been transmitted; NOT ACK has been received	No I2DAT action or	1	0	0	x	Repeated START will be transmitted
		no I2DAT action or	0	1	0	x	STOP condition will be transmitted; STO flag will be reset
		no I2DAT action or	1	1	0	x	STOP condition followed by a START condition will be transmitted; STO flag will be reset

**Table 74. Master Receiver mode ...continued**

Status code (I2STAT)	Status of the I <sup>2</sup> C hardware	Application software response					Next action taken by I <sup>2</sup> C hardware
		to/from I2DAT	to I2CON				
			STA	STO	SI	STA	
50h	Data byte has been received; ACK has been returned	Read data byte	0	0	0	0	Data byte will be received; NOT ACK bit will be returned
		read data byte	0	0	0	1	Data byte will be received; ACK bit will be returned
58h	Data byte has been received; NACK has been returned	Read data byte or	1	0	0	x	Repeated START will be transmitted;
		read data byte or	0	1	0	x	STOP condition will be transmitted; STO flag will be reset
		read data byte	1	1	0	x	STOP condition followed by a START condition will be transmitted; STO flag will be reset

**Table 75. Slave Receiver mode**

Status code (I2STAT)	Status of the I <sup>2</sup> C hardware	Application software response					Next action taken by I <sup>2</sup> C hardware
		to/from I2DAT	to I2CON				
			STA	STO	SI	AA	
60H	Own SLA+W has been received; ACK has been received	no I2DAT action or	x	0	0	0	Data byte will be received and NOT ACK will be returned
		no I2DAT action	x	0	0	1	Data byte will be received and ACK will be returned
68H	Arbitration lost in SLA+R/W as master; Own SLA+W has been received, ACK returned	No I2DAT action or	x	0	0	0	Data byte will be received and NOT ACK will be returned
		no I2DAT action	x	0	0	1	Data byte will be received and ACK will be returned
70H	General call address(00H) has been received, ACK has been returned	No I2DAT action or	x	0	0	0	Data byte will be received and NOT ACK will be returned
		no I2DAT action	x	0	0	1	Data byte will be received and ACK will be returned
78H	Arbitration lost in SLA+R/W as master; General call address has been received, ACK bit has been returned	no I2DAT action or	x	0	0	0	Data byte will be received and NOT ACK will be returned
		no I2DAT action	x	0	0	1	Data byte will be received and ACK will be returned
80H	Previously addressed with own SLA address; Data has been received; ACK has been returned	Read data byte or	x	0	0	0	Data byte will be received and NOT ACK will be returned
		read data byte	x	0	0	1	Data byte will be received; ACK bit will be returned

Table 75. Slave Receiver mode ...continued

Status code (I2STAT)	Status of the I <sup>2</sup> C hardware	Application software response					Next action taken by I <sup>2</sup> C hardware
		to/from I2DAT	to I2CON				
			STA	STO	SI	AA	
88H	Previously addressed with own SLA address; Data has been received; NACK has been returned	Read data byte or	0	0	0	0	Switched to not addressed SLA mode; no recognition of own SLA or general address
		read data byte or	0	0	0	1	Switched to not addressed SLA mode; Own SLA will be recognized; general call address will be recognized if I2ADR.0 = 1
		read data byte or	1	0	0	0	Switched to not addressed SLA mode; no recognition of own SLA or General call address. A START condition will be transmitted when the bus becomes free
		read data byte	1	0	0	1	Switched to not addressed SLA mode; Own slave address will be recognized; General call address will be recognized if I2ADR.0 = 1. A START condition will be transmitted when the bus becomes free.
90H	Previously addressed with General call; Data has been received; ACK has been returned	Read data byte or	x	0	0	0	Data byte will be received and NOT ACK will be returned
		read data byte	x	0	0	1	Data byte will be received and ACK will be returned
98H	Previously addressed with General call; Data has been received; NACK has been returned	Read data byte	0	0	0	0	Switched to not addressed SLA mode; no recognition of own SLA or General call address
		read data byte	0	0	0	1	Switched to not addressed SLA mode; Own slave address will be recognized; General call address will be recognized if I2ADR.0 = 1.
		read data byte	1	0	0	0	Switched to not addressed SLA mode; no recognition of own SLA or General call address. A START condition will be transmitted when the bus becomes free.
		read data byte	1	0	0	1	Switched to not addressed SLA mode; Own slave address will be recognized; General call address will be recognized if I2ADR.0 = 1. A START condition will be transmitted when the bus becomes free.

Table 75. Slave Receiver mode ...continued

Status code (I2STAT)	Status of the I <sup>2</sup> C hardware	Application software response					Next action taken by I <sup>2</sup> C hardware
		to/from I2DAT	to I2CON				
			STA	STO	SI	AA	
A0H	A STOP condition or repeated START condition has been received while still addressed as SLA/REC or SLA/TRX	No I2DAT action	0	0	0	0	Switched to not addressed SLA mode; no recognition of own SLA or General call address
		no I2DAT action	0	0	0	1	Switched to not addressed SLA mode; Own slave address will be recognized; General call address will be recognized if I2ADR.0 = 1.
		no I2DAT action	1	0	0	0	Switched to not addressed SLA mode; no recognition of own SLA or General call address. A START condition will be transmitted when the bus becomes free.
		no I2DAT action	1	0	0	1	Switched to not addressed SLA mode; Own slave address will be recognized; General call address will be recognized if I2ADR.0 = 1. A START condition will be transmitted when the bus becomes free.

Table 76. Slave Transmitter mode

Status code (I2STAT)	Status of the I <sup>2</sup> C hardware	Application software response					Next action taken by I <sup>2</sup> C hardware
		to/from I2DAT	to I2CON				
			STA	STO	SI	AA	
A8h	Own SLA+R has been received; ACK has been returned	Load data byte or	x	0	0	0	Last data byte will be transmitted and ACK bit will be received
		load data byte	x	0	0	1	Data byte will be transmitted; ACK will be received
B0h	Arbitration lost in SLA+R/W as master; Own SLA+R has been received, ACK has been returned	Load data byte or	x	0	0	0	Last data byte will be transmitted and ACK bit will be received
		load data byte	x	0	0	1	Data byte will be transmitted; ACK bit will be received
B8H	Data byte in I2DAT has been transmitted; ACK has been received	Load data byte or	x	0	0	0	Last data byte will be transmitted and ACK bit will be received
		load data byte	x	0	0	1	Data byte will be transmitted; ACK will be received

Table 76. Slave Transmitter mode ...continued

Status code (I2STAT)	Status of the I <sup>2</sup> C hardware	Application software response				Next action taken by I <sup>2</sup> C hardware	
		to/from I2DAT	to I2CON				
			STA	STO	SI		AA
C0H	Data byte in I2DAT has been transmitted; NACK has been received	No I2DAT action or	0	0	0	0	Switched to not addressed SLA mode; no recognition of own SLA or General call address.
		no I2DAT action or	0	0	0	1	Switched to not addressed SLA mode; Own slave address will be recognized; General call address will be recognized if I2ADR.0 = 1.
		no I2DAT action or	1	0	0	0	Switched to not addressed SLA mode; no recognition of own SLA or General call address. A START condition will be transmitted when the bus becomes free.
		no I2DAT action	1	0	0	1	Switched to not addressed SLA mode; Own slave address will be recognized; General call address will be recognized if I2ADR.0 = 1. A START condition will be transmitted when the bus becomes free.
C8H	Last data byte in I2DAT has been transmitted (AA = 0); ACK has been received	No I2DAT action or	0	0	0	0	Switched to not addressed SLA mode; no recognition of own SLA or General call address.
		no I2DAT action or	0	0	0	1	Switched to not addressed SLA mode; Own slave address will be recognized; General call address will be recognized if I2ADR.0 = 1.
		no I2DAT action or	1	0	0	0	Switched to not addressed SLA mode; no recognition of own SLA or General call address. A START condition will be transmitted when the bus becomes free.
		no I2DAT action	1	0	0	1	Switched to not addressed SLA mode; Own slave address will be recognized; General call address will be recognized if I2ADR.0 = 1. A START condition will be transmitted when the bus becomes free.

## 12. Analog comparators

Two analog comparators are provided on the P89LPC9201/9211/922A1/9241/9251. Input and output options allow use of the comparators in a number of different configurations. Comparator operation is such that the output is a logic 1 (which may be read in a register and/or routed to a pin) when the positive input (one of two selectable pins) is greater than the negative input (selectable from a pin or an internal reference voltage). Otherwise the output is a zero. Each comparator may be configured to cause an interrupt when the output value changes.

## 12.1 Comparator configuration

Each comparator has a control register, CMP1 for comparator 1 and CMP2 for comparator 2. The control registers are identical and are shown in [Table 78](#).

The overall connections to both comparators are shown in [Figure 36](#). There are eight possible configurations for each comparator, as determined by the control bits in the corresponding CMPn register: CPn, CNn, and OEn. These configurations are shown in [Figure 37](#).

When each comparator is first enabled, the comparator output and interrupt flag are not guaranteed to be stable for 10 microseconds. The corresponding comparator interrupt should not be enabled during that time, and the comparator interrupt flag must be cleared before the interrupt is enabled in order to prevent an immediate interrupt service.

**Table 77. Comparator Control register (CMP1 - address ACh, CMP2 - address ADh) bit allocation**

Bit	7	6	5	4	3	2	1	0
Symbol	-	-	CEn	CPn	CNn	OEn	COOn	CMFn
Reset	x	x	0	0	0	0	0	0

**Table 78. Comparator Control register (CMP1 - address ACh, CMP2 - address ADh) bit description**

Bit	Symbol	Description
0	CMFn	Comparator interrupt flag. This bit is set by hardware whenever the comparator output COOn changes state. This bit will cause a hardware interrupt if enabled. Cleared by software.
1	COOn	Comparator output, synchronized to the CPU clock to allow reading by software.
2	OEn	Output enable. When logic 1, the comparator output is connected to the CMPn pin if the comparator is enabled (CEn = 1). This output is asynchronous to the CPU clock.
3	CNn	Comparator negative input select. When logic 0, the comparator reference pin CMPREF is selected as the negative comparator input. When logic 1, the internal comparator reference, V <sub>REF</sub> , is selected as the negative comparator input.
4	CPn	Comparator positive input select. When logic 0, CINnA is selected as the positive comparator input. When logic 1, CINnB is selected as the positive comparator input.
5	CEn	Comparator enable. When set, the corresponding comparator function is enabled. Comparator output is stable 10 microseconds after CEn is set.
6:7	-	reserved

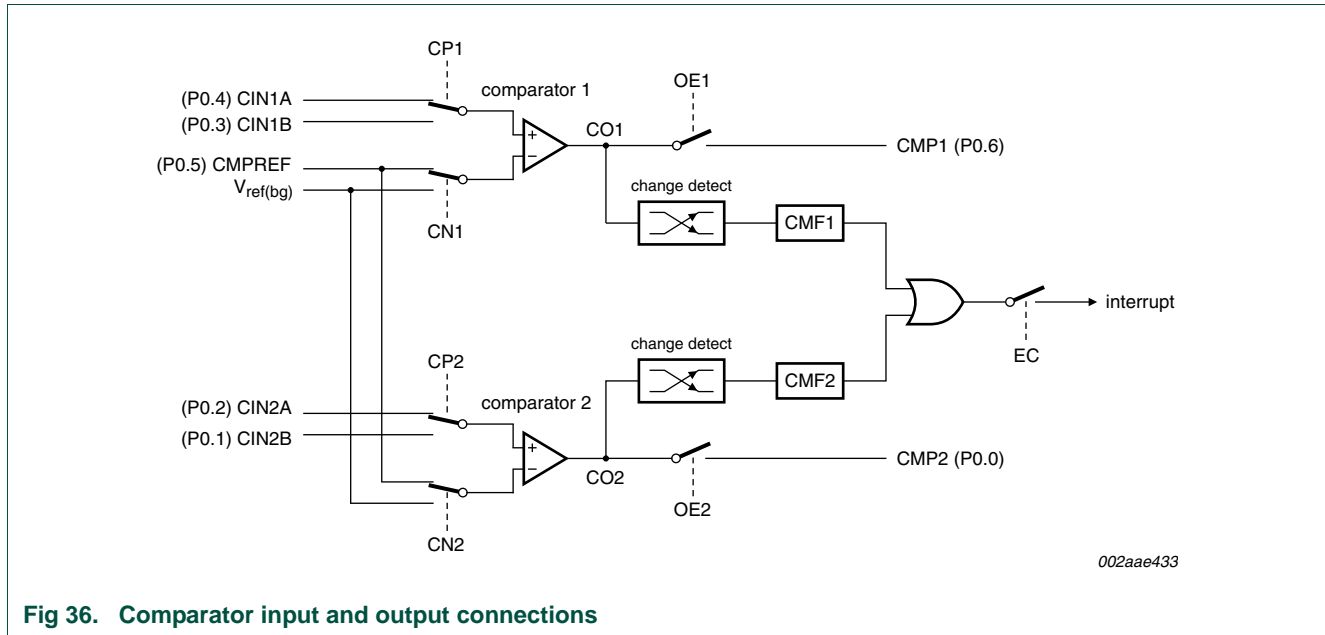


Fig 36. Comparator input and output connections

## 12.2 Internal reference voltage

An internal reference voltage,  $V_{ref(bg)}$ , may supply a default reference when a single comparator input pin is used. Please refer to the *P89LPC9201/9211/922A1/9241/9251 data sheet* for specifications.

## 12.3 Comparator interrupt

Each comparator has an interrupt flag CMF<sub>n</sub> contained in its configuration register. This flag is set whenever the comparator output changes state. The flag may be polled by software or may be used to generate an interrupt. The two comparators use one common interrupt vector. The interrupt will be generated when the interrupt enable bit EC in the IEN1 register is set and the interrupt system is enabled via the EA bit in the IEN0 register. If both comparators enable interrupts, after entering the interrupt service routine, the user will need to read the flags to determine which comparator caused the interrupt.

When a comparator is disabled the comparator's output, CO<sub>x</sub>, goes high. If the comparator output was low and then is disabled, the resulting transition of the comparator output from a low to high state will set the comparator flag, CMF<sub>x</sub>. This will cause an interrupt if the comparator interrupt is enabled. The user should therefore disable the comparator interrupt prior to disabling the comparator. Additionally, the user should clear the comparator flag, CMF<sub>x</sub>, after disabling the comparator.

## 12.4 Comparators and power reduction modes

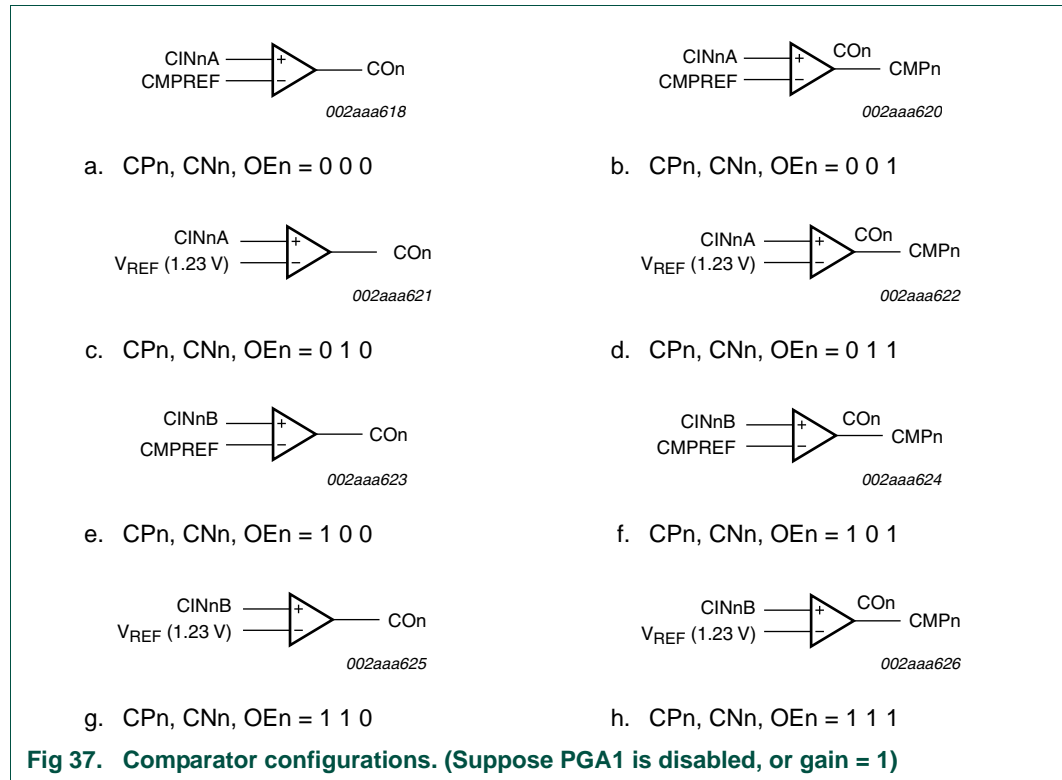
Either or both comparators may remain enabled when Power-down mode or Idle mode is activated, but both comparators are disabled automatically in Total Power-down mode.

If a comparator interrupt is enabled (except in Total Power-down mode), a change of the comparator output state will generate an interrupt and wake-up the processor. If the comparator output to a pin is enabled, the pin should be configured in the push-pull mode



in order to obtain fast switching times while in Power-down mode. The reason is that with the oscillator stopped, the temporary strong pull-up that normally occurs during switching on a quasi-bidirectional port pin does not take place.

Comparators consume power in Power-down mode and Idle mode, as well as in the normal operating mode. This should be taken into consideration when system power consumption is an issue. To minimize power consumption, the user can power-down the comparators by disabling the comparators and setting PCONA.5 to logic 1, or simply putting the device in Total Power-down mode.



## 12.5 Comparators configuration example

The code shown below is an example of initializing one comparator. Comparator 1 is configured to use the CIN1A and CMPREF inputs, outputs the comparator result to the CMP1 pin, and generates an interrupt when the comparator output changes.

```

CMPINIT:
    MOV  PT0AD,#030h           ;Disable digital INPUTS on CIN1A, CMPREF.
    ANL  POM2,#0CFh           ;Disable digital OUTPUTS on pins that are used
    ORL  POM1,#030h           ;for analog functions: CIN1A, CMPREF.
    MOV  CMP1,#024h           ;Turn on comparator 1 and set up for:
                                ;Positive input on CIN1A.
                                ;Negative input from CMPREF

    pin.

                                ;Output to CMP1 pin enabled.

    CALL delay10us           ;The comparator needs at least 10 microseconds
    before use.

    ANL  CMP1,#0FEh           ;Clear comparator 1 interrupt flag.
    
```

```

SETB EC ;Enable the comparator interrupt,
SETB EA ;Enable the interrupt system (if needed).
RET ;Return to caller.
    
```

The interrupt routine used for the comparator must clear the interrupt flag (CMF1 in this case) before returning

### 13. Keypad interrupt (KBI)

The Keypad Interrupt function is intended primarily to allow a single interrupt to be generated when Port 0 is equal to or not equal to a certain pattern. This function can be used for bus address recognition or keypad recognition. The user can configure the port via SFRs for different tasks.

There are three SFRs used for this function. The Keypad Interrupt Mask Register (KBMASK) is used to define which input pins connected to Port 0 are enabled to trigger the interrupt. The Keypad Pattern Register (KBPATN) is used to define a pattern that is compared to the value of Port 0. The Keypad Interrupt Flag (KBIF) in the Keypad Interrupt Control Register (KBCON) is set when the condition is matched while the Keypad Interrupt function is active. An interrupt will be generated if it has been enabled by setting the EKBI bit in IEN1 register and EA = 1. The PATN\_SEL bit in the Keypad Interrupt Control Register (KBCON) is used to define equal or not-equal for the comparison.

In order to use the Keypad Interrupt as an original KBI function like in the 87LPC76x series, the user needs to set KBPATN = 0FFH and PATN\_SEL = 0 (not equal), then any key connected to Port0 which is enabled by KBMASK register is will cause the hardware to set KBIF = 1 and generate an interrupt if it has been enabled. The interrupt may be used to wake-up the CPU from Idle or Power-down modes. This feature is particularly useful in handheld, battery powered systems that need to carefully manage power consumption yet also need to be convenient to use.

In order to set the flag and cause an interrupt, the pattern on Port 0 must be held longer than 6 CCLKs

**Table 79. Keypad Pattern register (KBPATN - address 93h) bit allocation**

Bit	7	6	5	4	3	2	1	0
Symbol	KBPATN.7	KBPATN.6	KBPATN.5	KBPATN.4	KBPATN.3	KBPATN.2	KBPATN.1	KBPATN.0
Reset	1	1	1	1	1	1	1	1

**Table 80. Keypad Pattern register (KBPATN - address 93h) bit description**

Bit	Symbol	Access	Description
0:7	KBPATN.7:0	R/W	Pattern bit 0 - bit 7

**Table 81. Keypad Control register (KBCON - address 94h) bit allocation**

Bit	7	6	5	4	3	2	1	0
Symbol	-	-	-	-	-	-	PATN_SEL	KBIF
Reset	x	x	x	x	x	x	0	0

**Table 82. Keypad Control register (KBCON - address 94h) bit description**

Bit	Symbol	Access	Description
0	KBIF	R/W	Keypad Interrupt Flag. Set when Port 0 matches user defined conditions specified in KBPATN, KBMASK, and PATN_SEL. Needs to be cleared by software by writing logic 0.
1	PATN_SEL	R/W	Pattern Matching Polarity selection. When set, Port 0 has to be equal to the user-defined Pattern in KBPATN to generate the interrupt. When clear, Port 0 has to be not equal to the value of KBPATN register to generate the interrupt.
2:7	-	-	reserved

**Table 83. Keypad Interrupt Mask register (KBMASK - address 86h) bit allocation**

Bit	7	6	5	4	3	2	1	0
Symbol	KBMASK.7	KBMASK.6	KBMASK.5	KBMASK.4	KBMASK.3	KBMASK.2	KBMASK.1	KBMASK.0
Reset	0	0	0	0	0	0	0	0

**Table 84. Keypad Interrupt Mask register (KBMASK - address 86h) bit description**

Bit	Symbol	Description
0	KBMASK.0	When set, enables P0.0 as a cause of a Keypad Interrupt.
1	KBMASK.1	When set, enables P0.1 as a cause of a Keypad Interrupt.
2	KBMASK.2	When set, enables P0.2 as a cause of a Keypad Interrupt.
3	KBMASK.3	When set, enables P0.3 as a cause of a Keypad Interrupt.
4	KBMASK.4	When set, enables P0.4 as a cause of a Keypad Interrupt.
5	KBMASK.5	When set, enables P0.5 as a cause of a Keypad Interrupt.
6	KBMASK.6	When set, enables P0.6 as a cause of a Keypad Interrupt.
7	KBMASK.7	When set, enables P0.7 as a cause of a Keypad Interrupt.

[1] The Keypad Interrupt must be enabled in order for the settings of the KBMASK register to be effective.

## 14. Watchdog timer (WDT)

The watchdog timer subsystem protects the system from incorrect code execution by causing a system reset when it underflows as a result of a failure of software to feed the timer prior to the timer reaching its terminal count. The watchdog timer can only be reset by a power-on reset.

### 14.1 Watchdog function

The user has the ability using the WDCON, CLKCON and UCFG1 registers to control the run /stop condition of the WDT, the clock source for the WDT, the prescaler value, and whether the WDT is enabled to reset the device on underflow. In addition, there is a safety mechanism which forces the WDT to be enabled by values programmed into UCFG1 either through IAP or a commercial programmer.

The WDTE bit (UCFG1.7), if set, enables the WDT to reset the device on underflow. Following reset, the WDT will be running regardless of the state of the WDTE bit.

The WDRUN bit (WDCON.2) can be set to start the WDT and cleared to stop the WDT. Following reset this bit will be set and the WDT will be running. All writes to WDCON need to be followed by a feed sequence (see [Section 14.2](#)). Additional bits in WDCON allow the user to select the clock source for the WDT and the prescaler.

When the timer is not enabled to reset the device on underflow, the WDT can be used in 'timer mode' and be enabled to produce an interrupt (IEN0.6) if desired.

The Watchdog Safety Enable bit, WDSE (UCFG1.4) along with WDTE, is designed to force certain operating conditions at power-up. Refer to [Table 85](#) for details.

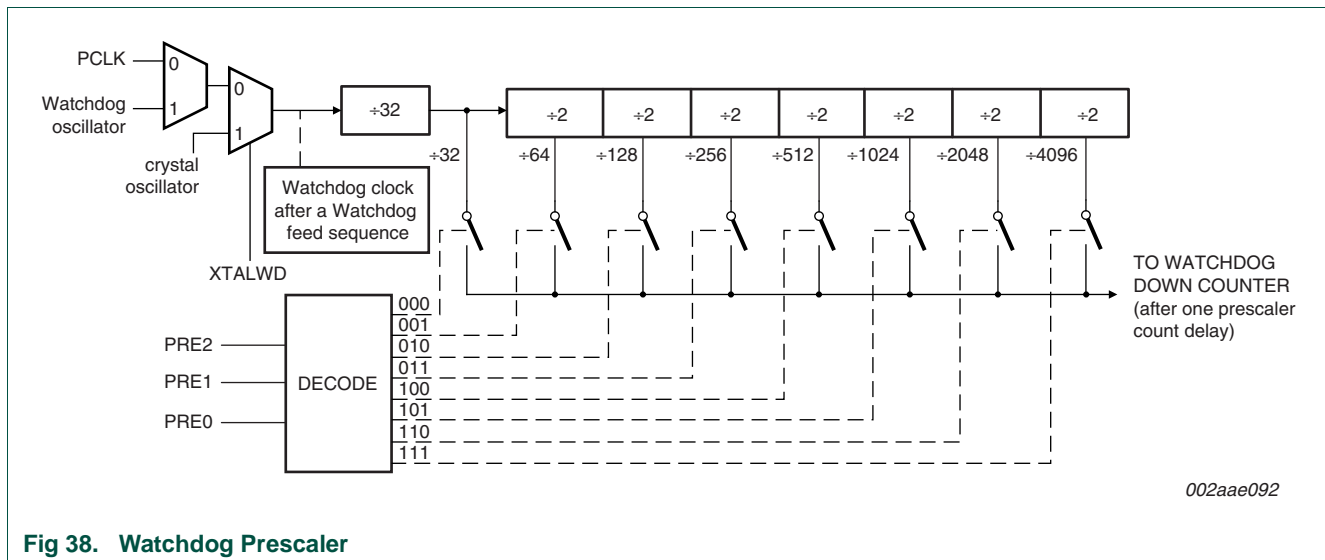
[Figure 39](#) shows the watchdog timer in watchdog mode. It consists of a programmable 13-bit prescaler, and an 8-bit down counter. The down counter is clocked (decremented) by a tap taken from the prescaler. The clock source for the prescaler can be the PCLK, the nominal 400 kHz watchdog oscillator or low speed crystal oscillator selected by the WDCLK bit in the WDCON register and XTALWD bit in the CLKCON register. (Note that switching of the clock sources will not take effect immediately - see [Section 14.3](#)).

The watchdog asserts the watchdog reset when the watchdog count underflows and the watchdog reset is enabled. When the watchdog reset is enabled, writing to WDL or WDCON must be followed by a feed sequence for the new values to take effect.

If a watchdog reset occurs, its behavior is similar to power on reset. Both POF and BOF are cleared.

**Table 85. Watchdog timer configuration**

WDTE	WDSE	FUNCTION
0	x	The watchdog reset is disabled. The timer can be used as an internal timer and can be used to generate an interrupt. WDSE has no effect.
1	0	The watchdog reset is enabled. The user can set WDCLK to choose the clock source.
1	1	The watchdog reset is enabled, along with additional safety features: <ol style="list-style-type: none"> <li>1. WDCLK is forced to 1 (using watchdog oscillator)</li> <li>2. WDCON and WDL register can only be written once</li> <li>3. WDRUN is forced to 1</li> </ol>



**Fig 38. Watchdog Prescaler**

## 14.2 Feed sequence

The watchdog timer control register and the 8-bit down counter (See [Figure 39](#)) are not directly loaded by the user. The user writes to the WDCON and the WDL SFRs. At the end of a feed sequence, the values in the WDCON and WDL SFRs are loaded to the control register and the 8-bit down counter. Before the feed sequence, any new values written to these two SFRs will not take effect. To avoid a watchdog reset, the watchdog timer needs to be fed (via a special sequence of software action called the feed sequence) prior to reaching an underflow.

To feed the watchdog, two write instructions must be sequentially executed successfully. Between the two write instructions, SFR reads are allowed, but writes are not allowed. The instructions should move A5H to the WFEED1 register and then 5AH to the WFEED2 register. An incorrect feed sequence will cause an immediate watchdog reset. The program sequence to feed the watchdog timer is as follows:

```
CLR  EA           ;disable interrupt
MOV  WFEED1,#0A5h ;do watchdog feed part 1
MOV  WFEED2,#05Ah ;do watchdog feed part 2
SETB EA          ;enable interrupt
```

This sequence assumes that the P89LPC9201/9211/922A1/9241/9251 interrupt system is enabled and there is a possibility of an interrupt request occurring during the feed sequence. If an interrupt was allowed to be serviced and the service routine contained any SFR writes, it would trigger a watchdog reset. If it is known that no interrupt could occur during the feed sequence, the instructions to disable and re-enable interrupts may be removed.

In watchdog mode (WDTE = 1), writing the WDCON register must be IMMEDIATELY followed by a feed sequence to load the WDL to the 8-bit down counter, and the WDCON to the shadow register. If writing to the WDCON register is not immediately followed by the feed sequence, a watchdog reset will occur.

For example: setting WDRUN = 1:

```
MOV  ACC,WDCON    ;get WDCON
SETB ACC.2       ;set WD_RUN=1
MOV  WDL,#0FFh   ;New count to be loaded to 8-bit down counter
      CLR  EA           ;disable interrupt
MOV  WDCON,ACC   ;write back to WDCON (after the watchdog is enabled, a feed
must occur           ; immediately)
MOV  WFEED1,#0A5h ;do watchdog feed part 1
MOV  WFEED2,#05Ah ;do watchdog feed part 2
      SETB EA          ;enable interrupt
```

In timer mode (WDTE = 0), WDCON is loaded to the control register every CCLK cycle (no feed sequence is required to load the control register), but a feed sequence is required to load from the WDL SFR to the 8-bit down counter before a time-out occurs.

The number of watchdog clocks before timing out is calculated by the following equations:

$$t_{clks} = (2^{(5+PRE)})(WDL + 1) + 1 \quad (3)$$

where:

PRE is the value of prescaler (PRE2 to PRE0) which can be the range 0 to 7, and;  
 WDL is the value of watchdog load register which can be the range of 0 to 255.

The minimum number of tclks is:

$$tclks = (2^{(5+0)})(0 + 1) + 1 = 33 \tag{4}$$

The maximum number of tclks is:

$$tclks = (2^{(5+7)})(255 + 1) + 1 = 1048577 \tag{5}$$

[Table 88](#) shows sample P89LPC9201/9211/922A1/9241/9251 timeout values.

**Table 86. Watchdog Timer Control register (WDCON - address A7h) bit allocation**

Bit	7	6	5	4	3	2	1	0
Symbol	PRE2	PRE1	PRE0	-	-	WDRUN	WDTOF	WDCLK
Reset	1	1	1	x	x	1	1/0	1

**Table 87. Watchdog Timer Control register (WDCON - address A7h) bit description**

Bit	Symbol	Description
0	WDCLK	Watchdog input clock select. When set, the watchdog oscillator is selected. When cleared, PCLK is selected. (If the CPU is powered down, the watchdog is disabled if WDCLK = 0, see <a href="#">Section 14.5</a> ). (Note: If both WDTE and WDSE are set to 1, this bit is forced to 1.) Refer to <a href="#">Section 14.3</a> for details.
1	WDTOF	Watchdog Timer Time-Out Flag. This bit is set when the 8-bit down counter underflows. In watchdog mode, a feed sequence will clear this bit. It can also be cleared by writing a logic 0 to this bit in software.
2	WDRUN	Watchdog Run Control. The watchdog timer is started when WDRUN = 1 and stopped when WDRUN = 0. This bit is forced to 1 (watchdog running) and cannot be cleared to zero if both WDTE and WDSE are set to 1.
3:4	-	reserved
5	PRE0	
6	PRE1	Clock Prescaler Tap Select. Refer to <a href="#">Table 88</a> for details.
7	PRE2	

**Table 88. Watchdog timeout vales**

PRE2 to PRE0	WDL in decimal)	Timeout Period (in watchdog clock cycles)	Watchdog Clock Source	
			400 KHz Watchdog Oscillator Clock (Nominal)	12 MHz CCLK (6 MHz CCLK <sub>2</sub> Watchdog Clock)
000	0	33	82.5 μs	5.50 μs
	255	8,193	20.5 ms	1.37 ms
001	0	65	162.5 μs	10.8 μs
	255	16,385	41.0 ms	2.73 ms
010	0	129	322.5 μs	21.5 μs
	255	32,769	81.9 ms	5.46 ms
011	0	257	642.5 μs	42.8 μs
	255	65,537	163.8 ms	10.9 ms

Table 88. Watchdog timeout vales ...continued

PRE2 to PRE0	WDL in decimal)	Timeout Period (in watchdog clock cycles)	Watchdog Clock Source	
			400 KHz Watchdog Oscillator Clock (Nominal)	12 MHz CCLK (6 MHz CCLK <sub>2</sub> Watchdog Clock)
100	0	513	1.28 ms	85.5 μs
	255	131,073	327.7 ms	21.8 ms
101	0	1,025	2.56 ms	170.8 μs
	255	262,145	655.4 ms	43.7 ms
110	0	2,049	5.12 ms	341.5 μs
	255	524,289	1.31 s	87.4 ms
111	0	4097	10.2 ms	682.8 μs
	255	1,048,577	2.62 s	174.8 ms

### 14.3 Watchdog clock source

The watchdog timer system has an on-chip 400 KHz oscillator. The watchdog timer can be clocked from the watchdog oscillator, PCLK or low speed crystal oscillator (refer to [Figure 38](#)) by configuring the WDCLK bit in the Watchdog Control Register WDCON and XTALWD bit in CLKCON register. When the watchdog feature is enabled, the timer must be fed regularly by software in order to prevent it from resetting the CPU.

Table 89. Watchdog input clock selection

WDCLK(WDCON.0)	XTALWD(CLKCON.4)	Watchdog input clock selection
0	0	PCLK
1	0	Watchdog oscillator
x	1	Low speed crystal oscillator

WDCLK bit is used to switch between watchdog oscillator and PCLK, and XTALWD bit is used to switch between watchdog oscillator/PCLK and low speed crystal oscillator. After changing clock source, switching of the clock source will not immediately take effect. As shown in [Figure 40](#), the selection is loaded after a watchdog feed sequence. In addition, due to clock synchronization logic, it can take two old clock cycles before the old clock source is deselected, and then an additional two new clock cycles before the new clock source is selected.

Since the prescaler starts counting immediately after a feed, switching clocks can cause some inaccuracy in the prescaler count. The inaccuracy could be as much as 2 old clock source counts plus 2 new clock cycles.

**Note:** When switching clocks, it is important that the old clock source is left enabled for two clock cycles after the feed completes. Otherwise, the watchdog may become disabled when the old clock source is disabled. For example, suppose PCLK (WCLK = 0) is the current clock source. After WCLK is set to logic 1, the program should wait at least two PCLK cycles (4 CCLKs) after the feed completes before going into Power-down mode. Otherwise, the watchdog could become disabled when CCLK turns off. The watchdog oscillator will never become selected as the clock source unless CCLK is turned on again first.

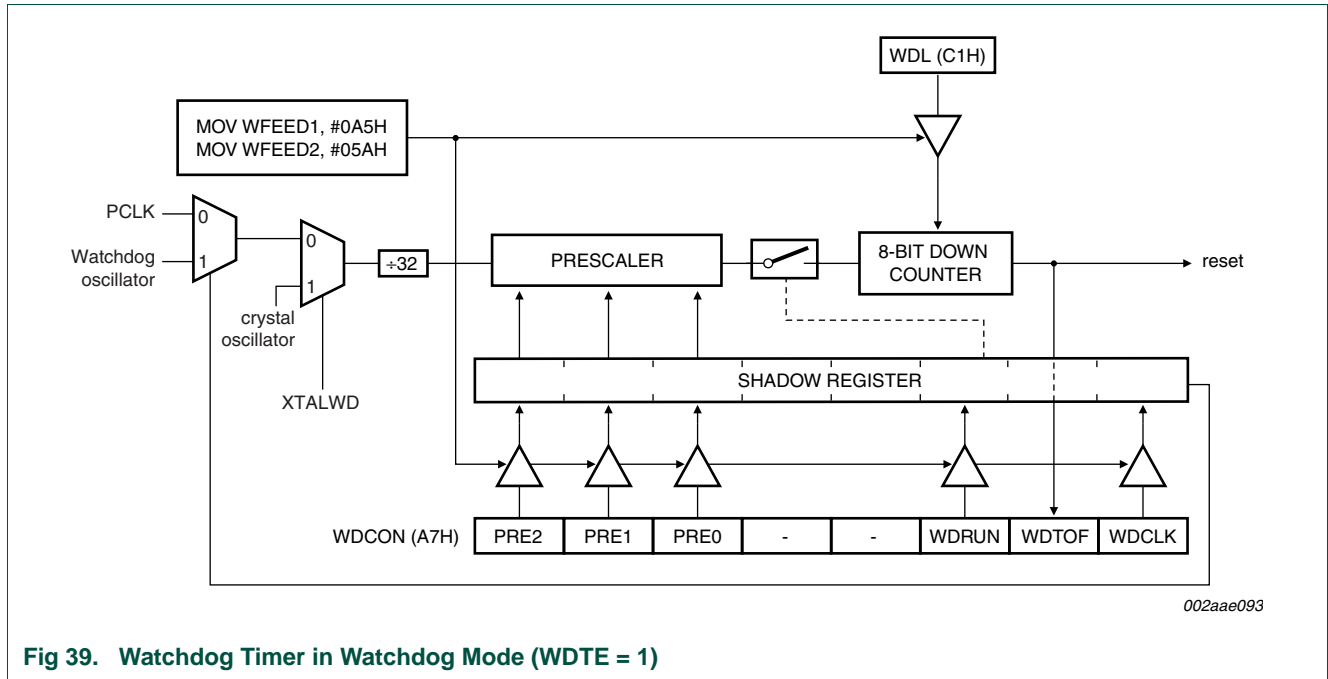


Fig 39. Watchdog Timer in Watchdog Mode (WDTE = 1)

### 14.4 Watchdog Timer in Timer mode

Figure 40 shows the Watchdog Timer in Timer Mode. In this mode, any changes to WDCON are written to the shadow register after one watchdog clock cycle. A watchdog underflow will set the WDTOF bit. If IEN0.6 is set, the watchdog underflow is enabled to cause an interrupt. WDTOF is cleared by writing a logic 0 to this bit in software. When an underflow occurs, the contents of WDL is reloaded into the down counter and the watchdog timer immediately begins to count down again.

A feed is necessary to cause WDL to be loaded into the down counter before an underflow occurs. Incorrect feeds are ignored in this mode.



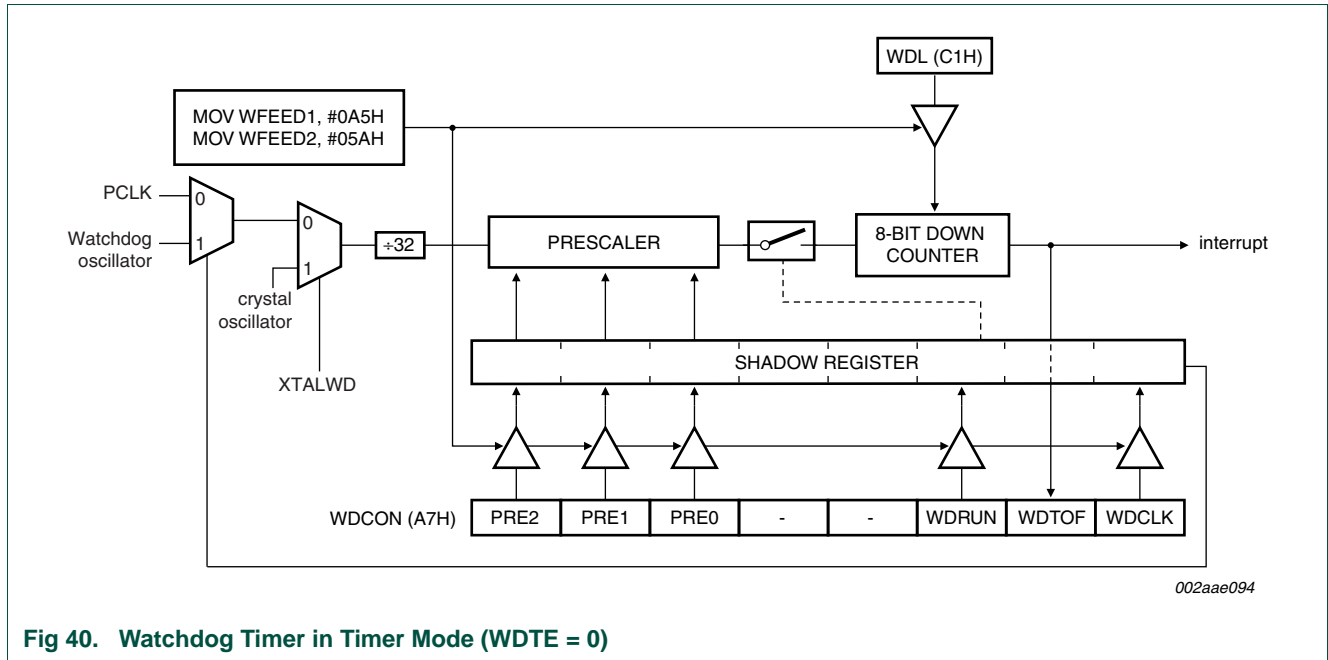


Fig 40. Watchdog Timer in Timer Mode (WDTE = 0)

### 14.5 Power-down operation

The WDT oscillator and low speed crystal oscillator will continue to run in power-down, consuming approximately 50  $\mu$ A, as long as the WDT oscillator is selected as the clock source for the WDT. Selecting PCLK as the WDT source will result in the WDT oscillator going into power-down with the rest of the device (see [Section 14.3](#)). Power-down mode will also prevent PCLK from running and therefore the watchdog is effectively disabled.

### 14.6 Periodic wake-up from power-down without an external oscillator

Without using an external oscillator source, the power consumption required in order to have a periodic wake-up is determined by the power consumption of the internal oscillator source used to produce the wake-up. The Real-time clock running from the internal RC oscillator can be used. The power consumption of this oscillator is approximately 300  $\mu$ A. Instead, if the WDT is used to generate interrupts the current is reduced to approximately 50  $\mu$ A. Whenever the WDT underflows, the device will wake-up.

## 15. Additional features

The AUXR1 register contains several special purpose control bits that relate to several chip features. AUXR1 is described in [Table 91](#)

Table 90. AUXR1 register (address A2h) bit allocation

Bit	7	6	5	4	3	2	1	0
Symbol	CLKLP	EBRR	ENT1	ENT0	SRST	0	-	DPS
Reset	0	0	0	0	0	0	x	0

**Table 91. AUXR1 register (address A2h) bit description**

Bit	Symbol	Description
0	DPS	Data Pointer Select. Chooses one of two Data Pointers.
1	-	Not used. Allowable to set to a logic 1.
2	0	This bit contains a hard-wired 0. Allows toggling of the DPS bit by incrementing AUXR1, without interfering with other bits in the register.
3	SRST	Software Reset. When set by software, resets the P89LPC9201/9211/922A1/9241/9251 as if a hardware reset occurred.
4	ENT0	When set the P1.2 pin is toggled whenever Timer 0 overflows. The output frequency is therefore one half of the Timer 0 overflow rate. Refer to <a href="#">Section 8 "Timers 0 and 1"</a> for details.
5	ENT1	When set, the P0.7 pin is toggled whenever Timer 1 overflows. The output frequency is therefore one half of the Timer 1 overflow rate. Refer to <a href="#">Section 8 "Timers 0 and 1"</a> for details.
6	EBRR	UART Break Detect Reset Enable. If logic 1, UART Break Detect will cause a chip reset and force the device into ISP mode.
7	CLKLP	Clock Low Power Select. When set, reduces power consumption in the clock circuits. Can be used when the clock frequency is 8 MHz or less. After reset this bit is cleared to support up to 12 MHz operation.

## 15.1 Software reset

The SRST bit in AUXR1 gives software the opportunity to reset the processor completely, as if an external reset or watchdog reset had occurred. If a value is written to AUXR1 that contains a 1 at bit position 3, all SFRs will be initialized and execution will resume at program address 0000. Care should be taken when writing to AUXR1 to avoid accidental software resets.

## 15.2 Dual Data Pointers

The dual Data Pointers (DPTR) adds to the ways in which the processor can specify the address used with certain instructions. The DPS bit in the AUXR1 register selects one of the two Data Pointers. The DPTR that is not currently selected is not accessible to software unless the DPS bit is toggled.

Specific instructions affected by the Data Pointer selection are:

**INC DPTR** — Increments the Data Pointer by 1

**JMP @A+DPTR** — Jump indirect relative to DPTR value

**MOV DPTR, #data16** — Load the Data Pointer with a 16-bit constant

**MOVC A, @A+DPTR** — Move code byte relative to DPTR to the accumulator

**MOVX A, @DPTR** — Move accumulator to data memory relative to DPTR

**MOVX @DPTR, A** — Move from data memory relative to DPTR to the accumulator

Also, any instruction that reads or manipulates the DPH and DPL registers (the upper and lower bytes of the current DPTR) will be affected by the setting of DPS. The MOVX instructions have limited application for the P89LPC9201/9211/922A1/9241/9251 since the part does not have an external data bus. However, they may be used to access Flash configuration information (see Flash Configuration section) or auxiliary data (XDATA) memory.

Bit 2 of AUXR1 is permanently wired as a logic 0. This is so that the DPS bit may be toggled (thereby switching Data Pointers) simply by incrementing the AUXR1 register, without the possibility of inadvertently altering other bits in the register.

## 16. Flash memory

---

### 16.1 General description

The P89LPC9201/9211/922A1/9241/9251 Flash memory provides in-circuit electrical erasure and programming. The Flash can be read and written as bytes. The Sector and Page Erase functions can erase any Flash sector (1 kB) or page (64 bytes). The Chip Erase operation will erase the entire program memory. Five Flash programming methods are available. On-chip erase and write timing generation contribute to a user-friendly programming interface. The P89LPC9201/9211/922A1/9241/9251 Flash reliably stores memory contents even after 100,000 erase and program cycles. The cell is designed to optimize the erase and programming mechanisms. P89LPC9201/9211/922A1/9241/9251 uses  $V_{DD}$  as the supply voltage to perform the Program/Erase algorithms. When voltage supply is lower than 2.4 V, the BOD FLASH is tripped and flash erase/program is blocked.

### 16.2 Features

- Parallel programming with industry-standard commercial programmers
- In-Circuit serial Programming (ICP) with industry-standard commercial programmers.
- IAP-Lite allows individual and multiple bytes of code memory to be used for data storage and programmed under control of the end application.
- Internal fixed boot ROM, containing low-level In-Application Programming (IAP) routines that can be called from the end application (in addition to IAP-Lite).
- Default serial loader providing In-System Programming (ISP) via the serial port, located in upper end of user program memory.
- Boot vector allows user provided Flash loader code to reside anywhere in the Flash memory space, providing flexibility to the user.
- Programming and erase over the full operating voltage range
- Read/Programming/Erase using ISP, IAP or IAP-Lite
- Any flash program operation in 2 ms (4 ms for erase/program)
- Programmable security for the code in the Flash for each sector
- > 100,000 typical erase/program cycles for each byte
- 10-year minimum data retention

### 16.3 Flash programming and erase

The P89LPC9201/9211/922A1/9241/9251 program memory consists 1 kB sectors. Each sector can be further divided into 64-byte pages. In addition to sector erase and page erase, a 64-byte page register is included which allows from 1 to 64 bytes of a given page to be programmed at the same time, substantially reducing overall programming time. Five methods of programming this device are available.

- Parallel programming with industry-standard commercial programmers.

- In-Circuit serial Programming (ICP) with industry-standard commercial programmers.
- IAP-Lite allows individual and multiple bytes of code memory to be used for data storage and programmed under control of the end application.
- Internal fixed boot ROM, containing low-level In-Application Programming (IAP) routines that can be called from the end application (in addition to IAP-Lite).
- A factory-provided default serial loader, located in upper end of user program memory, providing In-System Programming (ISP) via the serial port.
- Note: Flash erase/program will be blocked if BOD FLASH is detected ( $V_{dd} < 2.4$  V).

## 16.4 Using Flash as data storage: IAP-Lite

The Flash code memory array of this device supports IAP-Lite in addition to standard IAP functions. Any byte in a non-secured sector of the code memory array may be read using the MOVC instruction and thus is suitable for use as non-volatile data storage. IAP-Lite provides an erase-program function that makes it easy for one or more bytes within a page to be erased and programmed in a single operation without the need to erase or program any other bytes in the page. IAP-Lite is performed in the application under the control of the microcontroller's firmware using four SFRs and an internal 64-byte 'page register' to facilitate erasing and programming within unsecured sectors. These SFRs are:

- FMCON (Flash Control Register). When read, this is the status register. When written, this is a command register. Note that the status bits are cleared to logic 0s when the command is written.
- FMADRL, FMADRH (Flash memory address low, Flash memory address high). Used to specify the byte address within the page register or specify the page within user code memory
- FMDATA (Flash Data Register). Accepts data to be loaded into the page register.

The page register consists of 64 bytes and an update flag for each byte. When a LOAD command is issued to FMCON the page register contents and all of the update flags will be cleared. When FMDATA is written, the value written to FMDATA will be stored in the page register at the location specified by the lower 6 bits of FMADRL. In addition, the update flag for that location will be set. FMADRL will auto-increment to the next location. Auto-increment after writing to the last byte in the page register will 'wrap-around' to the first byte in the page register, but will not affect FMADRL[7:6]. Bytes loaded into the page register do not have to be continuous. Any byte location can be loaded into the page register by changing the contents of FMADRL prior to writing to FMDATA. However, each location in the page register can only be written once following each LOAD command. Attempts to write to a page register location more than once should be avoided.

FMADRH and FMADRL[7:6] are used to select a page of code memory for the erase-program function. When the erase-program command is written to FMCON, the locations within the code memory page that correspond to updated locations in the page register, will have their contents erased and programmed with the contents of their corresponding locations in the page register. Only the bytes that were loaded into the page register will be erased and programmed in the user code array. Other bytes within the user code memory will not be affected.

Writing the erase-program command (68H) to FMCON will start the erase-program process and place the CPU in a program-idle state. The CPU will remain in this idle state until the erase-program cycle is either completed or terminated by an interrupt. When the program-idle state is exited FMCON will contain status information for the cycle.

If an interrupt occurs during an erase/programming cycle, the erase/programming cycle will be aborted and the OI flag (Operation Interrupted) in FMCON will be set. If the application permits interrupts during erasing-programming the user code should check the OI flag (FMCON.0) after each erase-programming operation to see if the operation was aborted. If the operation was aborted, the user's code will need to repeat the process starting with loading the page register.

The erase-program cycle takes 4 ms (2 ms for erase, 2 ms for programming) to complete, regardless of the number of bytes that were loaded into the page register.

Erasing-programming of a single byte (or multiple bytes) in code memory is accomplished using the following steps:

- Write the LOAD command (00H) to FMCON. The LOAD command will clear all locations in the page register and their corresponding update flags.
- Write the address within the page register to FMADRL. Since the loading the page register uses FMADRL[5:0], and since the erase-program command uses FMADRH and FMADRL[7:6], the user can write the byte location within the page register (FMADRL[5:0]) and the code memory page address (FMADRH and FMADRL[7:6]) at this time.
- Write the data to be programmed to FMDATA. This will increment FMADRL pointing to the next byte in the page register.
- Write the address of the next byte to be programmed to FMADRL, if desired. (Not needed for contiguous bytes since FMADRL is auto-incremented). All bytes to be programmed must be within the same page.
- Write the data for the next byte to be programmed to FMDATA.
- Repeat writing of FMADRL and/or FMDATA until all desired bytes have been loaded into the page register.
- Write the page address in user code memory to FMADRH and FMADRL[7:6], if not previously included when writing the page register address to FMADRL[5:0].
- Write the erase-program command (68H) to FMCON, starting the erase-program cycle.
- Read FMCON to check status. If aborted, repeat starting with the LOAD command.

**Table 92. Flash Memory Control register (FMCON - address E4h) bit allocation**

Bit	7	6	5	4	3	2	1	0
Symbol (R)	-	-	-	-	HVA	HVE	SV	OI
Symbol (W)	FMCMD.7	FMCMD.6	FMCMD.5	FMCMD.4	FMCMD.3	FMCMD.2	FMCMD.1	FMCMD.0
Reset	0	0	0	0	0	0	0	0

**Table 93. Flash Memory Control register (FMCON - address E4h) bit description**

Bit	Symbol	Access	Description
0	OI	R	Operation interrupted. Set when cycle aborted due to an interrupt or reset.
	FMCMD.0	W	Command byte bit 0.
1	SV	R	Security violation. Set when an attempt is made to program, erase, or CRC a secured sector or page.
	FMCMD.1	W	Command byte bit 1
2	HVE	R	High voltage error. Set when an error occurs in the high voltage generator.
	FMCMD.2	W	Command byte bit 2.
3	HVA	R	High voltage abort. Set if either an interrupt or BOD FLASH is detected during a program or erase cycle.
	FMCMD.3	W	Command byte bit 3.
4:7	-	R	reserved.
4	FMCMD.4	W	Command byte bit 4.
5	FMCMD.5	W	Command byte bit 5.
6	FMCMD.6	W	Command byte bit 6.
7	FMCMD.7	W	Command byte bit 7.

An assembly language routine to load the page register and perform an erase/program operation is shown below.

```

;*****
;*   pgm user code           *
;*****
;*                               *
;* Inputs:                     *
;*R3 = number of bytes to program (byte) *
;*R4 = page address MSB(byte) *
;*R5 = page address LSB(byte) *
;*R7 = pointer to data buffer in RAM(byte) *
;* Outputs:                    *
;*R7 = status (byte) *
;* C = clear on no error, set on error *
;*****

LOAD    EQU    00H
EP      EQU    68H

PGM_USER:
        MOV    FMCON,#LOAD    ;load command, clears page register
        MOV    FMADRH,R4     ;get high address
        MOV    FMADRL,R5     ;get low address
        MOV    A,R7          ;
        MOV    R0,A          ;get pointer into R0
LOAD_PAGE:
        MOV    FMDAT,@R0     ;write data to page register
        INC    R0             ;point to next byte
        DJNZ   R3,LOAD_PAGE  ;do until count is zero
        MOV    FMCON,#EP     ;else erase & program the page
    
```

```

MOV     R7,FMCON      ;copy status for return
MOV     A,R7          ;read status
ANL     A,#0FH        ;save only four lower bits
JNZ     BAD           ;
CLR     C              ;clear error flag if good
RET     ;and return

BAD:
SETB    C              ;set error flag
RET     ;and return

```

A C-language routine to load the page register and perform an erase/program operation is shown below.

```

#include <REG9251.H>
unsigned char idata dbytes[64]; // data buffer
unsigned char Fm_stat; // status result
bit PGM_USER (unsigned char, unsigned char);
bit prog_fail;
void main ()
{
    prog_fail=PGM_USER(0x1F,0xC0);
}

bit PGM_USER (unsigned char page_hi, unsigned char page_lo)
{
    #define LOAD0x00 // clear page register, enable loading
    #define EP0x68 // erase & program page
    unsigned char i; // loop count

    FMCON = LOAD; //load command, clears page reg
    FMADRH = page_hi; //
    FMADRL = page_lo; //write my page address to addr regs

    for(i=0;i<64;i=i+1)
    {
        FMDATA = dbytes[i];
    }
    FMCON = EP; //erase & prog page command
    Fm_stat = FMCON; //read the result status
    if ((Fm_stat & 0x0F)!=0) prog_fail=1; else prog_fail=0;
    return(prog_fail);
}

```

## 16.5 In-circuit programming (ICP)

In-Circuit Programming is a method intended to allow commercial programmers to program and erase these devices without removing the microcontroller from the system. The In-Circuit Programming facility consists of a series of internal hardware resources to facilitate remote programming of the P89LPC9201/9211/922A1/9241/9251 through a two-wire serial interface. NXP has made in-circuit programming in an embedded application possible with a minimum of additional expense in components and circuit

board area. The ICP function uses five pins ( $V_{DD}$ ,  $V_{SS}$ , P0.5, P0.4, and  $\overline{RST}$ ). Only a small connector needs to be available to interface your application to an external programmer in order to use this feature.

### 16.6 ISP and IAP capabilities of the P89LPC9201/9211/922A1/9241/9251

An In-Application Programming (IAP) interface is provided to allow the end user's application to erase and reprogram the user code memory. In addition, erasing and reprogramming of user-programmable bytes including UCFG1, UCFG2, the Boot Status Bit, and the Boot Vector is supported. As shipped from the factory, the upper 512 bytes of user code space contains a serial In-System Programming (ISP) loader allowing for the device to be programmed in circuit through the serial port. This ISP boot loader will, in turn, call low-level routines through the same common entry point that can be used by the end-user application.

### 16.7 Boot ROM

When the microcontroller contains a 256 byte Boot ROM that is separate from the user's Flash program memory. This Boot ROM contains routines which handle all of the low level details needed to erase and program the user Flash memory. A user program simply calls a common entry point in the Boot ROM with appropriate parameters to accomplish the desired operation. Boot ROM operations include operations such as erase sector, erase page, program page, CRC, program security bit, etc. The Boot ROM occupies the program memory space at the top of the address space from FF00 to FFFFh, thereby not conflicting with the user program memory space. This function is in addition to the IAP-Lite feature.

### 16.8 Power on reset code execution

The P89LPC9201/9211/922A1/9241/9251 contains two special Flash elements: the BOOT VECTOR and the Boot Status Bit. Following reset, the P89LPC9201/9211/922A1/9241/9251 examines the contents of the Boot Status Bit. If the Boot Status Bit is set to zero, power-up execution starts at location 0000H, which is the normal start address of the user's application code. When the Boot Status Bit is set to one, the contents of the Boot Vector is used as the high byte of the execution address and the low byte is set to 00H.

The factory default settings for this device is shown in [Table 94](#), below.

The factory pre-programmed boot loader can be erased by the user. Users who wish to use this loader should take cautions to avoid erasing the last 1 kB sector on the device. Instead, the page erase function can be used to erase the eight 64-byte pages located in this sector. A custom boot loader can be written with the Boot Vector set to the custom boot loader, if desired.

**Table 94. Boot loader address and default Boot vector**

Product	Flash size	End address	Signature bytes			Sector size	Page size	Pre-programmed serial loader	Default Boot vector
			Mfg id	Id 1	Id 2				
P89LPC9201	2 kB × 8	07FFh	15h	DDh	30h	1 kB × 8	64 × 8	0600h to 07FFh	07h
P89LPC9211	4 kB × 8	0FFFh	15h	DDh	31h	1 kB × 8	64 × 8	0E00h to 0FFFh	0Fh



Table 94. Boot loader address and default Boot vector ...continued

Product	Flash size	End address	Signature bytes		Sector size	Page size	Pre-programmed serial loader	Default Boot vector	
			Mfg id	Id 1					Id 2
P89LPC922A1	8 kB × 8	1FFFh	15h	DDh	32h	1 kB × 8	64 × 8	1E00h to 1FFFh	1Fh
P89LPC9241	4 kB × 8	0FFFh	15h	DDh	33h	1 kB × 8	64 × 8	0E00h to 0FFFh	0Fh
P89LPC9251	8 kB × 8	1FFFh	15h	DDh	34h	1 kB × 8	64 × 8	1E00h to 1FFFh	1Fh

### 16.9 Hardware activation of Boot Loader

The boot loader can also be executed by forcing the device into ISP mode during a power-on sequence (see Figure 41). This is accomplished by powering up the device with the reset pin initially held low and holding the pin low for a fixed time after V<sub>DD</sub> rises to its normal operating value. This is followed by three, and only three, properly timed low-going pulses. Fewer or more than three pulses will result in the device not entering ISP mode. Timing specifications may be found in the data sheet for this device.

This has the same effect as having a non-zero status bit. This allows an application to be built that will normally execute the user code but can be manually forced into ISP operation. If the factory default setting for the Boot Vector is changed, it will no longer point to the factory pre-programmed ISP boot loader code. If this happens, the only way it is possible to change the contents of the Boot Vector is through the parallel or ICP programming method, provided that the end user application does not contain a customized loader that provides for erasing and reprogramming of the Boot Vector and Boot Status Bit. After programming the Flash, the status byte should be programmed to zero in order to allow execution of the user's application code beginning at address 0000H.

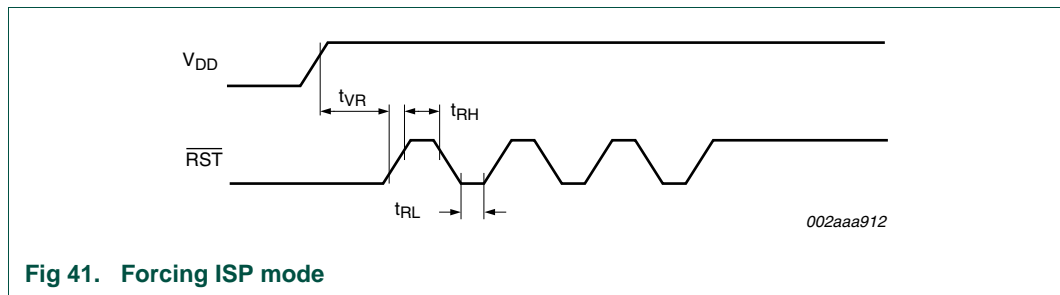


Fig 41. Forcing ISP mode

### 16.10 In-system programming (ISP)

In-System Programming is performed without removing the microcontroller from the system. The In-System Programming facility consists of a series of internal hardware resources coupled with internal firmware to facilitate remote programming of the P89LPC9201/9211/922A1/9241/9251 through the serial port. This firmware is provided by NXP and embedded within each P89LPC9201/9211/922A1/9241/9251 device. The NXP In-System Programming facility has made in-circuit programming in an embedded application possible with a minimum of additional expense in components and circuit board area. The ISP function uses five pins (V<sub>DD</sub>, V<sub>SS</sub>, TXD0, RXD0, and RST). Only a small connector needs to be available to interface your application to an external circuit in order to use this feature.

## 16.11 Using the In-system programming (ISP)

The ISP feature allows for a wide range of baud rates to be used in your application, independent of the oscillator frequency. It is also adaptable to a wide range of oscillator frequencies. This is accomplished by measuring the bit-time of a single bit in a received character. This information is then used to program the baud rate in terms of timer counts based on the oscillator frequency. The ISP feature requires that an initial character (an uppercase U) be sent to the P89LPC9201/9211/922A1/9241/9251 to establish the baud rate. The ISP firmware provides auto-echo of received characters. Once baud rate initialization has been performed, the ISP firmware will only accept Intel Hex-type records. Intel Hex records consist of ASCII characters used to represent hexadecimal values and are summarized below:

```
:NAAAAARRDD..DDCC<crLf>
```

In the Intel Hex record, the 'NN' represents the number of data bytes in the record. The P89LPC9201/9211/922A1/9241/9251 will accept up to 64 (40H) data bytes. The 'AAAA' string represents the address of the first byte in the record. If there are zero bytes in the record, this field is often set to 0000. The 'RR' string indicates the record type. A record type of '00' is a data record. A record type of '01' indicates the end-of-file mark. In this application, additional record types will be added to indicate either commands or data for the ISP facility. The maximum number of data bytes in a record is limited to 64 (decimal). ISP commands are summarized in [Table 95](#). As a record is received by the P89LPC9201/9211/922A1/9241/9251, the information in the record is stored internally and a checksum calculation is performed. The operation indicated by the record type is not performed until the entire record has been received. Should an error occur in the checksum, the P89LPC9201/9211/922A1/9241/9251 will send an 'X' out the serial port indicating a checksum error. If the checksum calculation is found to match the checksum in the record, then the command will be executed. In most cases, successful reception of the record will be indicated by transmitting a '.' character out the serial port.

**Table 95. In-system Programming (ISP) hex record formats**

Record type	Command/data function
00	<p>Program User Code Memory Page</p> <p>: nnaaaa00dd..ddcc</p> <p>Where:</p> <p>nn = number of bytes to program; aaaa = page address; dd..dd= data bytes; cc = checksum;</p> <p>Example:100000000102030405006070809DC3</p>
01	<p>Read Version Id</p> <p>: 00xxxx01cc</p> <p>Where: xxxx = required field but value is a 'don't care'; cc = checksum</p> <p>Example: 00000001FF</p>
02	<p>Miscellaneous Write Functions</p> <p>:02xxxx02ssddcc</p> <p>Where: xxxx = required field but value is a 'don't care'; ss= subfunction code; dd= data; cc= checksum</p> <p>Subfunction codes:</p> <ul style="list-style-type: none"> <li>00= UCFG1</li> <li>01= UCFG2</li> <li>02= Boot Vector</li> <li>03= Status Byte</li> <li>04= reserved</li> <li>05= reserved</li> <li>06= reserved</li> <li>07= reserved</li> <li>08= Security Byte 0</li> <li>09= Security Byte 1</li> <li>0A= Security Byte 2</li> <li>0B= Security Byte 3</li> <li>0C= Security Byte 4</li> <li>0D= Security Byte 5</li> <li>0E= Security Byte 6</li> <li>0F= Security Byte 7</li> <li>10= Clear Configuration Protection</li> </ul> <p>Example::020000020347B2</p>

**Table 95. In-system Programming (ISP) hex record formats ...continued**

Record type	Command/data function
03	<p>Miscellaneous Read Functions</p> <p>: 01xxxx03sscc</p> <p>Where xxxx = required field but value is a 'don't care'; ss= subfunction code; cc = checksum</p> <p>Subfunction codes:</p> <p>00= UCFG1</p> <p>01= UCFG2</p> <p>02= Boot Vector</p> <p>03= Status Byte</p> <p>04= reserved</p> <p>05= reserved</p> <p>06= reserved</p> <p>07= reserved</p> <p>08= Security Byte 0</p> <p>09= Security Byte 1</p> <p>0A= Security Byte 2</p> <p>0B= Security Byte 3</p> <p>0C= Security Byte 4</p> <p>0D= Security Byte 5</p> <p>0E= Security Byte 6</p> <p>0F= Security Byte 7</p> <p>10= Manufacturer Id</p> <p>11= Device Id</p> <p>12= Derivative Id</p> <p>Example: 0100000312EA</p>
04	<p>Erase Sector/Page</p> <p>: 03xxxx04ssaaaacc</p> <p>Where: xxxx = required field but value is a 'don't care'; aaaa = sector/page address; ss= 01 erase sector; ss = 00 erase page; cc = checksum</p> <p>Example :03000004010000F8</p>
05	<p>Read Sector CRC</p> <p>: 01xxxx05aacc</p> <p>Where: xxxx = required field but value is a 'don't care'; aa= sector address high byte; cc= checksum</p> <p>Example: 0100000504F6</p>

**Table 95. In-system Programming (ISP) hex record formats ...continued**

Record type	Command/data function
06	Read Global CRC : 00xxxx06cc Where: xxxx = required field but value is a 'don't care'; cc= checksum Example: 00000006FA
07	Direct Load of Baud Rate : 02xxxx07HLLcc Where: xxxx = required field but value is a 'don't care'; HH= high byte of timer; LL = low byte of timer; cc = checksum Example: 02000007FFFFFF9
08	Reset MCU : 00xxxx08cc Where: xxxx = required field but value is a 'don't care'; cc = checksum Example: 00000008F8

## 16.12 In-application programming (IAP)

Several In-Application Programming (IAP) calls are available for use by an application program to permit selective erasing and programming of Flash sectors, pages, security bits, configuration bytes, and device id. All calls are made through a common interface, PGM\_MTP. The programming functions are selected by setting up the microcontroller's registers before making a call to PGM\_MTP at FF03H. The IAP calls are shown in [Table 97](#).

## 16.13 IAP authorization key

IAP functions which write or erase code memory require an authorization key be set by the calling routine prior to performing the IAP function call. This authorization key is set by writing 96H to RAM location FFH. The following example was written using the Keil C compiler. The methods used to access a specific physical address in memory may vary with other compilers.

```
#include <ABSACC.H> /* enable absolute memory access */
#define key DBYTE[0xFF] /* force key to be at address 0xFF */
short (*pgm_mtp) (void) = 0xFF00; /* set pointer to IAP entry point */;
key = 0x96; /* set the authorization key */
pgm_mtp (); /* execute the IAP function call */
```

After the function call is processed by the IAP routine, the authorization key will be cleared. Thus it is necessary for the authorization key to be set prior to EACH call to PGM\_MTP that requires a key. If an IAP routine that requires an authorization key is called without a valid authorization key present, the MCU will perform a reset.

## 16.14 Flash write enable

This device has hardware write enable protection. This protection applies to both ISP and IAP modes and applies to both the user code memory space and the user configuration bytes (UCFG1, UCFG2, BOOTVEC, and BOOTSTAT). This protection does not apply to ICP or parallel programmer modes. If the Activate Write Enable (AWE) bit in BOOTSTAT.7

is a logic 0, an internal Write Enable (WE) flag is forced set and writes to the flash memory and configuration bytes are enabled. If the Active Write Enable (AWE) bit is a logic 1, then the state of the internal WE flag can be controlled by the user.

The WE flag is SET by writing the Set Write Enable (08H) command to FMCON followed by a key value (96H) to FMDATA:

```
FMCON = 0x08;  
FMDATA = 0x96;
```

The WE flag is CLEARED by writing the Clear Write Enable (0BH) command to FMCON followed by a key value (96H) to FMDATA, or by a reset:

```
FMCON = 0x0B;  
FMDATA = 0x96;
```

The ISP function in this device sets the WE flag prior to calling the IAP routines. The IAP function in this device executes a Clear Write Enable command following any write operation. If the Write Enable function is active, user code which calls IAP routines will need to set the Write Enable flag prior to each IAP write function call.

### 16.15 Configuration byte protection

In addition to the hardware write enable protection, described above, the 'configuration bytes' may be separately write protected. These configuration bytes include UCFG1, UCFG2, BOOTVEC, and BOOTSTAT. This protection applies to both ISP and IAP modes and does not apply to ICP or parallel programmer modes.

If the Configuration Write Protect bit (CWP) in BOOTSTAT.6 is a logic 1, writes to the configuration bytes are disabled. If the Configuration Write Protect bit (CWP) is a logic 0, writes to the configuration bytes are enabled. The CWP bit is set by programming the BOOTSTAT register. This bit is cleared by using the Clear Configuration Protection (CCP) command in IAP or ISP.

The Clear Configuration Protection command can be disabled in ISP or IAP mode by programming the Disable Clear Configuration Protection bit (DCCP) in BOOTSTAT.7 to a logic 1. When DCCP is set, the CCP command may still be used in ICP or parallel programming modes. This bit is cleared by writing the Clear Configuration Protection (CCP) command in either ICP or parallel programming modes.

### 16.16 IAP error status

It is not possible to use the Flash memory as the source of program instructions while programming or erasing this same Flash memory. During an IAP erase, program, or CRC the CPU enters a program-idle state. The CPU will remain in this program-idle state until the erase, program, or CRC cycle is completed. These cycles are self timed. When the cycle is completed, code execution resumes. If an interrupt occurs during an erase, programming or CRC cycle, the erase, programming, or CRC cycle will be aborted so that the Flash memory can be used as the source of instructions to service the interrupt. An IAP error condition will be flagged by setting the carry flag and status information returned. The status information returned is shown in [Table 96](#). If the application permits interrupts during erasing, programming, or CRC cycles, the user code should check the carry flag after each erase, programming, or CRC operation to see if an error occurred. If the operation was aborted, the user's code will need to repeat the operation.

Table 96. IAP error status

Bit	Flag	Description
0	OI	Operation Interrupted. Indicates that an operation was aborted due to an interrupt occurring during a program or erase cycle.
1	SV	Security Violation. Set if program or erase operation fails due to security settings. Cycle is aborted. Memory contents are unchanged. CRC output is invalid.
2	HVE	High Voltage Error. Set if error detected in high voltage generation circuits. Cycle is aborted. Memory contents may be corrupted.
3	VE	Verify error. Set during IAP programming of user code if the contents of the programmed address does not agree with the intended programmed value. IAP uses the MOVC instruction to perform this verify. Attempts to program user code that is MOVC protected can be programmed but will generate this error after the programming cycle has been completed.
4 to 7	-	unused; reads as a logic 0

Table 97. IAP function calls

IAP function	IAP call parameters
Program User Code Page (requires 'key')	Input parameters: ACC = 00h R3= number of bytes to program R4= page address (MSB) R5= page address (LSB) R7= pointer to data buffer in RAM F1= 0h = use IDATA Return parameter(s): R7= status Carry= set on error, clear on no error
Read Version Id	Input parameters: ACC = 01h Return parameter(s): R7=IAP version id
Misc. Write (requires 'key')	Input parameters: ACC = 02h R5= data to write R7= register address 00= UCFG1 01= UCFG2 02= Boot Vector 03= Status Byte 04 to 07 = reserved 08= Security Byte 0 09= Security Byte 1 0A= Security Byte 2 0B= Security Byte 3 0C= Security Byte 4 0D= Security Byte 5 0E= Security Byte 6 0F= Security Byte 7 10 = Clear Configuration Protection Return parameter(s): R7= status Carry= set on error, clear on no error



Table 97. IAP function calls ...continued

IAP function	IAP call parameters
Misc. Read	Input parameters: ACC = 03h R7= register address 00= UCFG1 01= UCFG2 02= Boot Vector 03= Status Byte 04 to 07 = reserved 08= Security Byte 0 09= Security Byte 1 0A= Security Byte 2 0B= Security Byte 3 0C= Security Byte 4 0D= Security Byte 5 0E= Security Byte 6 0F= Security Byte 7 Return parameter(s): R7= register data if no error, else error status Carry= set on error, clear on no error
Erase Sector/Page (requires 'key')	Input parameters: ACC = 04h R4= address (MSB) R5= address (LSB) R7= 00H (erase page) or 01H (erase sector) Return parameter(s): R7= data Carry= set on error, clear on no error

**Table 97. IAP function calls ...continued**

IAP function	IAP call parameters
Read Sector CRC	Input parameters: ACC = 05h R7= sector address Return parameter(s): R4= CRC bits 31:24 R5= CRC bits 23:16 R6= CRC bits 15:8 R7= CRC bits 7:0 (if no error) R7= error status (if error) Carry= set on error, clear on no error
Read Global CRC	Input parameters: ACC = 06h Return parameter(s): R4= CRC bits 31:24 R5= CRC bits 23:16 R6= CRC bits 15:8 R7= CRC bits 7:0 (if no error) R7= error status (if error) Carry= set on error, clear on no error
Read User Code	Input parameters: ACC = 07h R4= address (MSB) R5= address (LSB) Return parameter(s): R7= data

### 16.17 User configuration bytes

A number of user-configurable features of the P89LPC9201/9211/922A1/9241/9251 must be defined at power-up and therefore cannot be set by the program after start of execution. These features are configured through the use of an Flash byte UCFG1 and UCFG2 shown in [Table 99](#) and [Table 102](#).

**Table 98. Flash User Configuration Byte 1 (UCFG1) bit allocation**

Bit	7	6	5	4	3	2	1	0
Symbol	WDTE	RPE	BOE1	WDSE	BOE0	FOSC2	FOSC1	FOSC0
Unprogrammed value	0	1	1	0	0	0	1	1

**Table 99. Flash User Configuration Byte 1 (UCFG1) bit description**

Bit	Symbol	Description
0	FOSC0	CPU oscillator type select. See <a href="#">Section 2 “Clocks”</a> for additional information. Combinations other than those shown in <a href="#">Table 100</a> are reserved for future use and should not be used.
1	FOSC1	
2	FOSC2	
3	BOE0	Brownout Detect Configuration (see <a href="#">Section 6.1 “Brownout detection”</a> )

**Table 99. Flash User Configuration Byte 1 (UCFG1) bit description ...continued**

Bit	Symbol	Description
4	WDSE	Watchdog Safety Enable bit. Refer to <a href="#">Table 85 “Watchdog timer configuration”</a> for details.
5	BOE1	Brownout Detect Configuration (see <a href="#">Section 6.1 “Brownout detection”</a> )
6	RPE	Reset pin enable. When set = 1, enables the reset function of pin P1.5. When cleared, P1.5 may be used as an input pin. NOTE: During a power-up sequence, the RPE selection is overridden and this pin will always function as a reset input. After power-up the pin will function as defined by the RPE bit. Only a power-up reset will temporarily override the selection defined by RPE bit. Other sources of reset will not override the RPE bit.
7	WDTE	Watchdog timer reset enable. When set = 1, enables the watchdog timer reset. When cleared = 0, disables the watchdog timer reset. The timer may still be used to generate an interrupt. Refer to <a href="#">Table 85 “Watchdog timer configuration”</a> for details.

**Table 100. Oscillator type selection**

FOSC[2:0]	Oscillator configuration
111	External clock input on XTAL1.
100	Watchdog Oscillator, 400 kHz ± 5 %.
011	Internal RC oscillator, 7.373 MHz ± 1 %.
010	Low frequency crystal, 20 kHz to 100 kHz.
001	Medium frequency crystal or resonator, 100 kHz to 4 MHz.
000	High frequency crystal or resonator, 4 MHz to 18 MHz.

**Table 101. Flash User Configuration Byte 2 (UCFG2) bit allocation**

Bit	7	6	5	4	3	2	1	0
Symbol	CLKDBL	-	-	-	-	-	-	-
Unprogrammed value	0	x	x	x	x	x	x	x

**Table 102. Flash User Configuration Byte 2 (UCFG2) bit description**

Bit	Symbol	Description
0:6	-	Not used.
7	CLKDBL	Clock doubler. When set, doubles the output frequency of the internal RC oscillator.

### 16.18 User security bytes

This device has three security bits associated with each of its eight sectors, as shown in [Table 103](#)

**Table 103. Sector Security Bytes (SECx) bit allocation**

Bit	7	6	5	4	3	2	1	0
Symbol	-	-	-	-	-	EDISx	SPEDISx	MOVCDISx
Unprogrammed value	0	0	0	0	0	0	0	0

**Table 104. Sector Security Bytes (SECx) bit description**

Bit	Symbol	Description
0	MOVCDISx	MOVC Disable. Disables the MOVC command for sector x. Any MOVC that attempts to read a byte in a MOVC protected sector will return invalid data. This bit can only be erased when sector x is erased.
1	SPEDISx	Sector Program Erase Disable x. Disables program or erase of all or part of sector x. This bit and sector x are erased by either a sector erase command (ISP, IAP, commercial programmer) or a 'global' erase command (commercial programmer).
2	EDISx	Erase Disable ISP. Disables the ability to perform an erase of sector x in ISP or IAP mode. When programmed, this bit and sector x can only be erased by a 'global' erase command using a commercial programmer. This bit and sector x CANNOT be erased in ISP or IAP modes.
3:7	-	reserved

**Table 105. Effects of Security Bits**

EDISx	SPEDISx	MOVCDISx	Effects on Programming
0	0	0	None.
0	0	1	Security violation flag set for sector CRC calculation for the specific sector. Security violation flag set for global CRC calculation if any MOVCDISx bit is set. Cycle aborted. Memory contents unchanged. CRC invalid. Program/erase commands will not result in a security violation.
0	1	x	Security violation flag set for program commands or an erase page command. Cycle aborted. Memory contents unchanged. Sector erase and global erase are allowed.
1	x	x	Security violation flag set for program commands or an erase page command. Cycle aborted. Memory contents unchanged. Global erase is allowed.

## 16.19 Boot Vector register

**Table 106. Boot Vector (BOOTVEC) bit allocation**

Bit	7	6	5	4	3	2	1	0
Symbol	-	-	-	BOOTV4	BOOTV3	BOOTV2	BOOTV1	BOOTV0
Factory default value	0	0	0	1	1	1	1	1

**Table 107. Boot Vector (BOOTVEC) bit description**

Bit	Symbol	Description
0:4	BOOTV[0:4]	Boot vector. If the Boot Vector is selected as the reset address, the P89LPC9201/9211/922A1/9241/9251 will start execution at an address comprised of 00h in the lower eight bits and this BOOTVEC as the upper eight bits after a reset.
5:7	-	reserved

## 16.20 Boot status register

**Table 108. Boot Status (BOOTSTAT) bit allocation**

Bit	7	6	5	4	3	2	1	0
Symbol	DCCP	CWP	AWP	-	-	-	-	BSB
Factory default value	0	0	0	0	0	0	0	1

Table 109. Boot Status (BOOTSTAT) bit description

Bit	Symbol	Description
0	BSB	Boot Status Bit. If programmed to logic 1, the P89LPC9201/9211/922A1/9241/9251 will always start execution at an address comprised of 00H in the lower eight bits and BOOTVEC as the upper bits after a reset. (See <a href="#">Section 7.1 “Reset vector”</a> ).
1:4	-	reserved
5	AWP	Activate Write Protection bit. When this bit is cleared, the internal Write Enable flag is forced to the set state, thus writes to the flash memory are always enabled. When this bit is set, the Write Enable internal flag can be set or cleared using the Set Write Enable (SWE) or Clear Write Enable (CWE) commands.
6	CWP	Configuration Write Protect bit. Protects inadvertent writes to the user programmable configuration bytes (UCFG1, BOOTVEC, and BOOTSTAT). If programmed to a logic 1, the writes to these registers are disabled. If programmed to a logic 0, writes to these registers are enabled. This bit is set by programming the BOOTSTAT register. This bit is cleared by writing the Clear Configuration Protection (CCP) command to FMCON followed by writing 96H to FMDATA.
7	DCCP	Disable Clear Configuration Protection command. If Programmed to '1', the Clear Configuration Protection (CCP) command is disabled during ISP or IAP modes. This command can still be used in ICP or parallel programmer modes. If programmed to '0', the CCP command can be used in all programming modes. This bit is set by programming the BOOTSTAT register. This bit is cleared by writing the Clear Configuration Protection (CCP) command in either ICP or parallel programmer modes.

## 17. Instruction set

Table 110. Instruction set summary

Mnemonic	Description	Bytes	Cycles	Hex code
<b>ARITHMETIC</b>				
ADD A,Rn	Add register to A	1	1	28 to 2F
ADD A,dir	Add direct byte to A	2	1	25
ADD A,@Ri	Add indirect memory to A	1	1	26 to 27
ADD A,#data	Add immediate to A	2	1	24
ADDC A,Rn	Add register to A with carry	1	1	38 to 3F
ADDC A,dir	Add direct byte to A with carry	2	1	35
ADDC A,@Ri	Add indirect memory to A with carry	1	1	36 to 37
ADDC A,#data	Add immediate to A with carry	2	1	34
SUBB A,Rn	Subtract register from A with borrow	1	1	98 to 9F
SUBB A,dir	Subtract direct byte from A with borrow	2	1	95
SUBB A,@Ri	Subtract indirect memory from A with borrow	1	1	96 to 97
SUBB A,#data	Subtract immediate from A with borrow	2	1	94
INC A	Increment A	1	1	04
INC Rn	Increment register	1	1	08 to 0F
INC dir	Increment direct byte	2	1	05
INC @Ri	Increment indirect memory	1	1	06 to 07
DEC A	Decrement A	1	1	14
DEC Rn	Decrement register	1	1	18 to 1F
DEC dir	Decrement direct byte	2	1	15
DEC @Ri	Decrement indirect memory	1	1	16 to 17
INC DPTR	Increment data pointer	1	2	A3
MUL AB	Multiply A by B	1	4	A4
DIV AB	Divide A by B	1	4	84
DA A	Decimal Adjust A	1	1	D4
<b>LOGICAL</b>				
ANL A,Rn	AND register to A	1	1	58 to 5F
ANL A,dir	AND direct byte to A	2	1	55
ANL A,@Ri	AND indirect memory to A	1	1	56 to 57
ANL A,#data	AND immediate to A	2	1	54
ANL dir,A	AND A to direct byte	2	1	52
ANL dir,#data	AND immediate to direct byte	3	2	53
ORL A,Rn	OR register to A	1	1	48 to 4F
ORL A,dir	OR direct byte to A	2	1	45
ORL A,@Ri	OR indirect memory to A	1	1	46 to 47
ORL A,#data	OR immediate to A	2	1	44
ORL dir,A	OR A to direct byte	2	1	42
ORL dir,#data	OR immediate to direct byte	3	2	43

Table 110. Instruction set summary ...continued

Mnemonic	Description	Bytes	Cycles	Hex code
XRL A,Rn	Exclusive-OR register to A	1	1	68 to 6F
XRL A,dir	Exclusive-OR direct byte to A	2	1	65
XRL A, @Ri	Exclusive-OR indirect memory to A	1	1	66 to 67
XRL A,#data	Exclusive-OR immediate to A	2	1	64
XRL dir,A	Exclusive-OR A to direct byte	2	1	62
XRL dir,#data	Exclusive-OR immediate to direct byte	3	2	63
CLR A	Clear A	1	1	E4
CPL A	Complement A	1	1	F4
SWAP A	Swap Nibbles of A	1	1	C4
RL A	Rotate A left	1	1	23
RLC A	Rotate A left through carry	1	1	33
Rotate A right	RR A	1	1	03
RRC A	Rotate A right through carry	1	1	13
<b>DATA TRANSFER</b>				
MOV A,Rn	Move register to A	1	1	E8 to EF
MOV A,dir	Move direct byte to A	2	1	E5
Move indirect memory to A	MOV A,@Ri	1	1	E6 to E7
MOV A,#data	Move immediate to A	2	1	74
MOV Rn,A	Move A to register	1	1	F8 to FF
MOV Rn,dir	Move direct byte to register	2	2	A8 to AF
MOV Rn,#data	Move immediate to register	2	1	78 to 7F
MOV dir,A	Move A to direct byte	2	1	F5
MOV dir,Rn	Move register to direct byte	2	2	88 to 8F
MOV dir,dir	Move direct byte to direct byte	3	2	85
MOV dir,@Ri	Move indirect memory to direct byte	2	2	86 to 87
MOV dir,#data	Move immediate to direct byte	3	2	75
MOV @Ri,A	Move A to indirect memory	1	1	F6 to F7
MOV @Ri,dir	Move direct byte to indirect memory	2	2	A6 to A7
MOV @Ri,#data	Move immediate to indirect memory	2	1	76 to 77
MOV DPTR,#data	Move immediate to data pointer	3	2	90
MOVC A,@A+DPTR	Move code byte relative DPTR to A	1	2	93
MOVC A,@A+PC	Move code byte relative PC to A	1	2	94
MOVX A,@Ri	Move external data(A8) to A	1	2	E2 to E3
MOVX A,@DPTR	Move external data(A16) to A	1	2	E0
MOVX @Ri,A	Move A to external data(A8)	1	2	F2 to F3
MOVX @DPTR,A	Move A to external data(A16)	1	2	F0
PUSH dir	Push direct byte onto stack	2	2	C0
POP dir	Pop direct byte from stack	2	2	D0
XCH A,Rn	Exchange A and register	1	1	C8 to CF
XCH A,dir	Exchange A and direct byte	2	1	C5
XCH A,@Ri	Exchange A and indirect memory	1	1	C6 to C7

Table 110. Instruction set summary ...continued

Mnemonic	Description	Bytes	Cycles	Hex code
XCHD A,@Ri	Exchange A and indirect memory nibble	1	1	D6 to D7
<b>BOOLEAN</b>				
Mnemonic	Description	Bytes	Cycles	Hex code
CLR C	Clear carry	1	1	C3
CLR bit	Clear direct bit	2	1	C2
SETB C	Set carry	1	1	D3
SETB bit	Set direct bit	2	1	D2
CPL C	Complement carry	1	1	B3
CPL bit	Complement direct bit	2	1	B2
ANL C,bit	AND direct bit to carry	2	2	82
ANL C,/bit	AND direct bit inverse to carry	2	2	B0
ORL C,bit	OR direct bit to carry	2	2	72
ORL C,/bit	OR direct bit inverse to carry	2	2	A0
MOV C,bit	Move direct bit to carry	2	1	A2
MOV bit,C	Move carry to direct bit	2	2	92
<b>BRANCHING</b>				
ACALL addr 11	Absolute jump to subroutine	2	2	116F1
LCALL addr 16	Long jump to subroutine	3	2	12
RET	Return from subroutine	1	2	22
RETI	Return from interrupt	1	2	32
AJMP addr 11	Absolute jump unconditional	2	2	016E1
LJMP addr 16	Long jump unconditional	3	2	02
SJMP rel	Short jump (relative address)	2	2	80
JC rel	Jump on carry = 1	2	2	40
JNC rel	Jump on carry = 0	2	2	50
JB bit,rel	Jump on direct bit = 1	3	2	20
JNB bit,rel	Jump on direct bit = 0	3	2	30
JBC bit,rel	Jump on direct bit = 1 and clear	3	2	10
JMP @A+DPTR	Jump indirect relative DPTR	1	2	73
JZ rel	Jump on accumulator = 0	2	2	60
JNZ rel	Jump on accumulator ≠ 0	2	2	70
CJNE A,dir,rel	Compare A, direct jne relative	3	2	B5
CJNE A,#d,rel	Compare A, immediate jne relative	3	2	B4
CJNE Rn,#d,rel	Compare register, immediate jne relative	3	2	B8 to BF
CJNE @Ri,#d,rel	Compare indirect, immediate jne relative	3	2	B6 to B7
DJNZ Rn,rel	Decrement register, jnz relative	2	2	D8 to DF
DJNZ dir,rel	Decrement direct byte, jnz relative	3	2	D5
<b>MISCELLANEOUS</b>				
NOP	No operation	1	1	00



## 18. Legal information

### 18.1 Definitions

**Draft** — The document is a draft version only. The content is still under internal review and subject to formal approval, which may result in modifications or additions. NXP Semiconductors does not give any representations or warranties as to the accuracy or completeness of information included herein and shall have no liability for the consequences of use of such information.

### 18.2 Disclaimers

**Limited warranty and liability** — Information in this document is believed to be accurate and reliable. However, NXP Semiconductors does not give any representations or warranties, expressed or implied, as to the accuracy or completeness of such information and shall have no liability for the consequences of use of such information.

In no event shall NXP Semiconductors be liable for any indirect, incidental, punitive, special or consequential damages (including - without limitation - lost profits, lost savings, business interruption, costs related to the removal or replacement of any products or rework charges) whether or not such damages are based on tort (including negligence), warranty, breach of contract or any other legal theory.

Notwithstanding any damages that customer might incur for any reason whatsoever, NXP Semiconductors' aggregate and cumulative liability towards customer for the products described herein shall be limited in accordance with the *Terms and conditions of commercial sale* of NXP Semiconductors.

**Right to make changes** — NXP Semiconductors reserves the right to make changes to information published in this document, including without limitation specifications and product descriptions, at any time and without notice. This document supersedes and replaces all information supplied prior to the publication hereof.

**Suitability for use** — NXP Semiconductors products are not designed, authorized or warranted to be suitable for use in life support, life-critical or safety-critical systems or equipment, nor in applications where failure or malfunction of an NXP Semiconductors product can reasonably be expected

to result in personal injury, death or severe property or environmental damage. NXP Semiconductors accepts no liability for inclusion and/or use of NXP Semiconductors products in such equipment or applications and therefore such inclusion and/or use is at the customer's own risk.

**Applications** — Applications that are described herein for any of these products are for illustrative purposes only. NXP Semiconductors makes no representation or warranty that such applications will be suitable for the specified use without further testing or modification.

Customers are responsible for the design and operation of their applications and products using NXP Semiconductors products, and NXP Semiconductors accepts no liability for any assistance with applications or customer product design. It is customer's sole responsibility to determine whether the NXP Semiconductors product is suitable and fit for the customer's applications and products planned, as well as for the planned application and use of customer's third party customer(s). Customers should provide appropriate design and operating safeguards to minimize the risks associated with their applications and products.

NXP Semiconductors does not accept any liability related to any default, damage, costs or problem which is based on any weakness or default in the customer's applications or products, or the application or use by customer's third party customer(s). Customer is responsible for doing all necessary testing for the customer's applications and products using NXP Semiconductors products in order to avoid a default of the applications and the products or of the application or use by customer's third party customer(s). NXP does not accept any liability in this respect.

**Export control** — This document as well as the item(s) described herein may be subject to export control regulations. Export might require a prior authorization from national authorities.

### 18.3 Trademarks

Notice: All referenced brands, product names, service names and trademarks are the property of their respective owners.

**I<sup>2</sup>C-bus** — logo is a trademark of NXP B.V.

19. Contents

<b>1</b>	<b>Introduction</b>	<b>3</b>	4.1	Interrupt priority structure	39
1.1	Pin configuration	3	4.2	External Interrupt pin glitch suppression	40
1.2	Pin description	4	<b>5</b>	<b>I/O ports</b>	<b>41</b>
1.3	Logic symbols	7	5.1	Port configurations	42
1.4	Block diagram	8	5.2	Quasi-bidirectional output configuration	42
1.5	Special function registers	10	5.3	Open drain output configuration	43
1.6	Memory organization	24	5.4	Input-only configuration	44
<b>2</b>	<b>Clocks</b>	<b>25</b>	5.5	Push-pull output configuration	44
2.1	Enhanced CPU	25	5.6	Port 0 and Analog Comparator functions	45
2.2	Clock definitions	25	5.7	Additional port features	45
2.2.1	Oscillator Clock (OSCCLK)	25	<b>6</b>	<b>Power monitoring functions</b>	<b>46</b>
2.3	Crystal oscillator option	25	6.1	Brownout detection	46
2.3.1	Low speed oscillator option	25	6.2	Power-on detection	48
2.3.2	Medium speed oscillator option	25	6.3	Power reduction modes	48
2.3.3	High speed oscillator option	25	<b>7</b>	<b>Reset</b>	<b>51</b>
2.4	Clock output	26	7.1	Reset vector	52
2.5	On-chip RC oscillator option	26	<b>8</b>	<b>Timers 0 and 1</b>	<b>53</b>
2.6	Watchdog oscillator option	27	8.1	Mode 0	54
2.7	External clock input option	27	8.2	Mode 1	54
2.8	Clock source switching on the fly	28	8.3	Mode 2	55
2.9	Oscillator Clock (OSCCLK) wake-up delay	29	8.4	Mode 3	55
2.10	CPU Clock (CCLK) modification: DIVM register	29	8.5	Mode 6	55
2.11	Low power select	29	8.6	Timer overflow toggle output	57
<b>3</b>	<b>A/D converter (P89LPC9241/9251)</b>	<b>30</b>	<b>9</b>	<b>Real-time clock system timer</b>	<b>57</b>
3.1	General description	30	9.1	Real-time clock source	58
3.2	A/D features	30	9.2	Changing RTCS1/RTCS0	59
3.2.1	Temperature sensor	31	9.3	Real-time clock interrupt/wake-up	59
3.2.2	ADC operating modes	32	9.3.1	Real-time clock read back	59
3.2.2.1	Fixed channel, single conversion mode	32	9.4	Reset sources affecting the Real-time clock	59
3.2.2.2	Fixed channel, continuous conversion mode	32	<b>10</b>	<b>UART</b>	<b>61</b>
3.2.2.3	Auto scan, single conversion mode	32	10.1	Mode 0	61
3.2.2.4	Auto scan, continuous conversion mode	33	10.2	Mode 1	61
3.2.2.5	Dual channel, continuous conversion mode	33	10.3	Mode 2	61
3.2.2.6	Single step mode	33	10.4	Mode 3	62
3.2.2.7	Conversion mode selection bits	33	10.5	SFR space	62
3.2.3	Conversion start modes	34	10.6	Baud Rate generator and selection	62
3.2.3.1	Timer triggered start	34	10.7	Updating the BRGR1 and BRGR0 SFRs	62
3.2.3.2	Start immediately	34	10.8	Framing error	63
3.2.3.3	Edge triggered	34	10.9	Break detect	63
3.2.4	Boundary limits interrupt	34	10.10	More about UART Mode 0	65
3.2.5	DAC output to a port pin with high output impedance	35	10.11	More about UART Mode 1	66
3.2.6	Clock divider	35	10.12	More about UART Modes 2 and 3	67
3.2.7	I/O pins used with ADC functions	35	10.13	Framing error and RI in Modes 2 and 3 with SM2 = 1	67
3.2.8	Power-down and Idle mode	35	10.14	Break detect	68
<b>4</b>	<b>Interrupts</b>	<b>39</b>	10.15	Double buffering	68

continued >>

10.16	Double buffering in different modes . . . . .	68	16.11	Using the In-system programming (ISP) . . . . .	106
10.17	Transmit interrupts with double buffering enabled (Modes 1, 2, and 3) . . . . .	68	16.12	In-application programming (IAP) . . . . .	109
10.18	The 9th bit (bit 8) in double buffering (Modes 1, 2, and 3) . . . . .	69	16.13	IAP authorization key . . . . .	109
10.19	Multiprocessor communications . . . . .	70	16.14	Flash write enable . . . . .	109
10.20	Automatic address recognition . . . . .	71	16.15	Configuration byte protection . . . . .	110
<b>11</b>	<b>I<sup>2</sup>C interface . . . . .</b>	<b>72</b>	16.16	IAP error status . . . . .	110
11.1	I <sup>2</sup> C data register . . . . .	73	16.17	User configuration bytes . . . . .	114
11.2	I <sup>2</sup> C slave address register . . . . .	73	16.18	User security bytes . . . . .	115
11.3	I <sup>2</sup> C control register . . . . .	74	16.19	Boot Vector register . . . . .	116
11.4	I <sup>2</sup> C Status register . . . . .	75	16.20	Boot status register . . . . .	116
11.5	I <sup>2</sup> C SCL duty cycle registers I2SCLH and I2SCLL 75		<b>17</b>	<b>Instruction set . . . . .</b>	<b>118</b>
11.6	I <sup>2</sup> C operation modes . . . . .	76	<b>18</b>	<b>Legal information . . . . .</b>	<b>121</b>
11.6.1	Master Transmitter mode . . . . .	76	18.1	Definitions . . . . .	121
11.6.2	Master Receiver mode . . . . .	77	18.2	Disclaimers . . . . .	121
11.6.3	Slave Receiver mode . . . . .	78	18.3	Trademarks . . . . .	121
11.6.4	Slave Transmitter mode . . . . .	79	<b>19</b>	<b>Contents . . . . .</b>	<b>122</b>
<b>12</b>	<b>Analog comparators . . . . .</b>	<b>86</b>			
12.1	Comparator configuration . . . . .	87			
12.2	Internal reference voltage . . . . .	88			
12.3	Comparator interrupt . . . . .	88			
12.4	Comparators and power reduction modes . . . . .	88			
12.5	Comparators configuration example . . . . .	89			
<b>13</b>	<b>Keypad interrupt (KBI) . . . . .</b>	<b>90</b>			
<b>14</b>	<b>Watchdog timer (WDT) . . . . .</b>	<b>91</b>			
14.1	Watchdog function . . . . .	91			
14.2	Feed sequence . . . . .	93			
14.3	Watchdog clock source . . . . .	95			
14.4	Watchdog Timer in Timer mode . . . . .	96			
14.5	Power-down operation . . . . .	97			
14.6	Periodic wake-up from power-down without an external oscillator . . . . .	97			
<b>15</b>	<b>Additional features . . . . .</b>	<b>97</b>			
15.1	Software reset . . . . .	98			
15.2	Dual Data Pointers . . . . .	98			
<b>16</b>	<b>Flash memory . . . . .</b>	<b>99</b>			
16.1	General description . . . . .	99			
16.2	Features . . . . .	99			
16.3	Flash programming and erase . . . . .	99			
16.4	Using Flash as data storage: IAP-Lite . . . . .	100			
16.5	In-circuit programming (ICP) . . . . .	103			
16.6	ISP and IAP capabilities of the P89LPC9201/9211/922A1/9241/9251 . . . . .	104			
16.7	Boot ROM . . . . .	104			
16.8	Power on reset code execution . . . . .	104			
16.9	Hardware activation of Boot Loader . . . . .	105			
16.10	In-system programming (ISP) . . . . .	105			

Please be aware that important notices concerning this document and the product(s) described herein, have been included in section 'Legal information'.